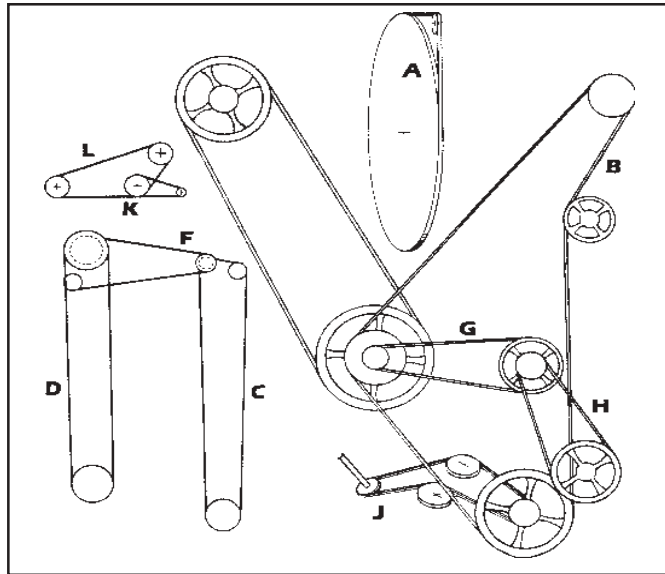


NEW AMF REPLACEMENT BELT LINE



PINSPOTTERBELTS

FRONTENDBELTS

KEY	PART NO.	APPLICATION	GATES#	QUALITY#	KEY	PART NO.	APPLICATION	GATES#	QUALITY#
A	070-002-005	Pinwheel Elevator Endless 8270	B190	B190		234-001-147	Spectrum Ball Lifts Ball Lift Belt	---	8595
A	QUA 27-8350	Pin Wheel Elevator Spliced 8230 & 8230 Conversion to 8270 Ball Exit System	6251	8350		702-504-012	V-Belt	A68	A68
B	030-008-792 030-003-912	Carpet Drive	A133	A133		702-504-013	V-Belt	A34	A34
							Magic Circle Ball Lifts		
B	000-022-099	Carpet Drive	A112	A112		000-029-433	Motor to Pulley	1360	3L360
C	030-005-197	Carpet Drive	B128	B128		057-001-003	Pulley to Drive	2410	4L400
D	QUA 27-8520	Ball Lift Belt	6109	8520					
E	000-024-604	Ball Lift Belt	6105	6105					
F	030-006-017	8230 (G.E.Motors Only)	B55	B55					
G	000-027-710	Ball Rudder-Primary (Long)	0360	2L0360					
H	000-029-600	Ball Rudder-Secondary (Short)	6209	8640					
J	000-028-864	Ball Kicker Belt-8230 Conversion to 8270 Ball Exit	6252	8690					
J	000-028-865	Ball Kicker Belt 8270	6250	8695					
					K	190-001-546 208-111-174	Sure Pik Ball Lifts Motor to Pulley	1450	3L450
						190-001-355	Sure Pik Belt	---	---
					L	190-001-305	Ball Lift Belt	6119	6119
							Streamlane Ball Lifts		
						146-005-399	Motor to Drive	AX42	AX42
						146-004-775	Ball Lift-Short	5M925	8630
						146-004-772	Ball Lift-Long	5M1850	8635

DISTRIBUTORBELTS

PART NO.	APPLICATION
030-007-633	82-30 Belts - 3 1/2" Wide - 3 Belts Per Roll
070-006-757	82-70 Belts - 2 3/4" Wide - 4 Belts Per Roll
(Note: Pins & Lacing included with above. May also be ordered separately below.)	
030-005-661	82-30 Monnel Clipper Lacing
030-005-660	82-30 Cat Gut Pins
070-006-036	82-70 Monnel Clipper Lacing
070-006-037	82-70 Cat Gut Pins

SEE PAGE 36M FOR CARPET BELTS