

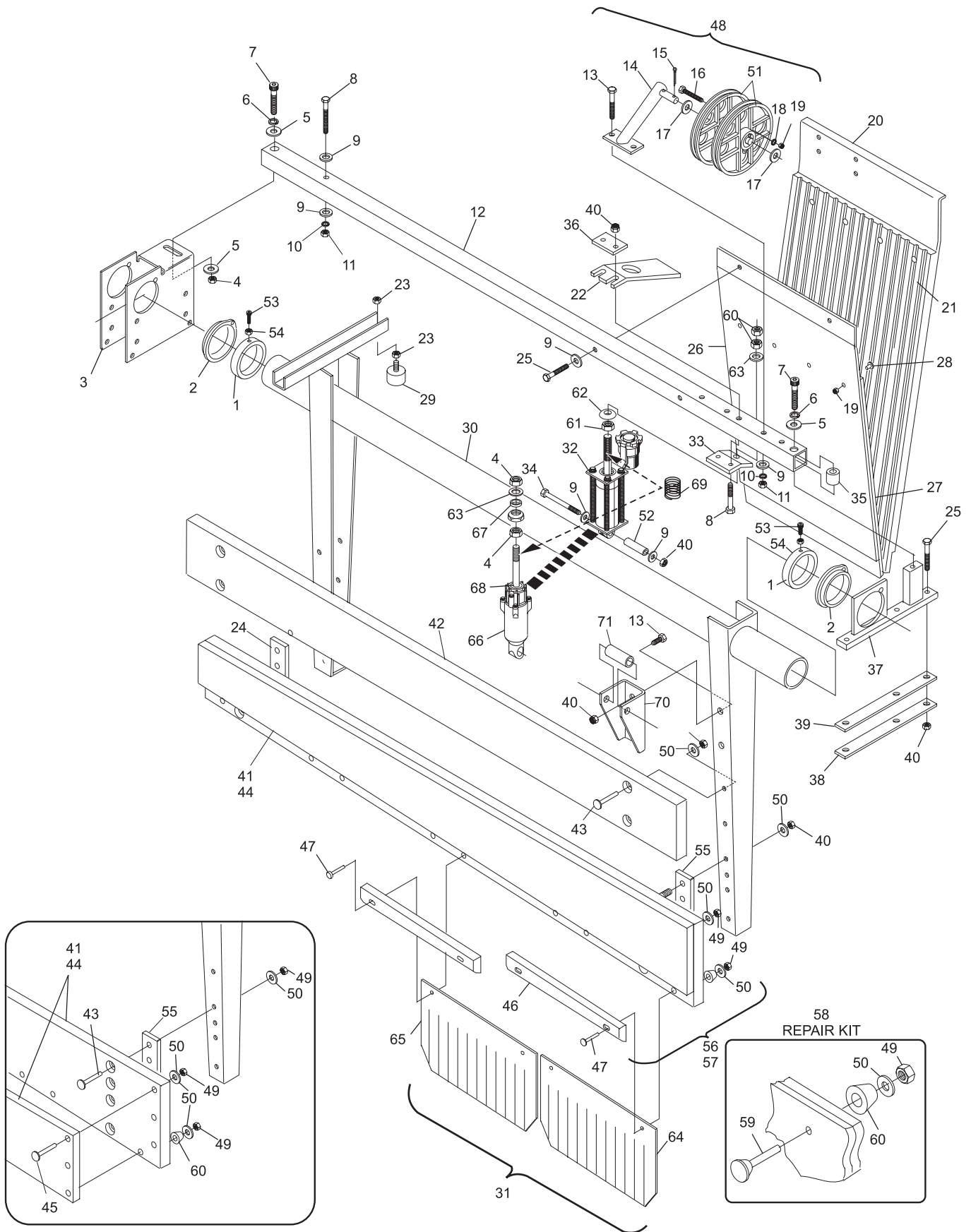
Section C

BALL CUSHION & PIT CURTAIN

Index			Index		
No.	Part No.	Description	No.	Part No.	Description
			33.	N.A.	Hydraulic Mounting Plate
1.	47-020953-004	Stop Collar	34.	11-051013-001	Hex Hd. Cap Screw (10 mm x 90 mm)
2.	99-010108-004	Bearing	35.	47-021110-004	Spacer
3.	47-021466-001	Bearing Block	36.	47-021120-004	Mounting Plate
4.	11-051706-001	Hex Nut (12 mm)	37.	47-020947-003	Bearing Block
5.	11-052024-001	Flat Washer (13 mm x 30 mm x 1.6 mm)	38.	N.A.	Wood Shim (5 mm)
6.	11-051772-001	Lockwasher (12 mm)	39.	47-021318-003	Wood Shim (10 mm)
7.	11-051564-009	Socket Hd. Cap Screw (12 mm x 60 mm)	40.	11-051745-001	Locknut (10 mm)
8.	11-051012-001	Hex Hd. Cap Screw (10 mm x 70 mm)	41.	47-025045-009	Ball Cushion Board with Facing even lane (right-hand)
9.	11-052050-001	Flat Washer (10.5 mm x 30 mm x 2.5 mm)	42.	47-021872-003	Top Ball Cushion Board
10.	11-051771-001	Lockwasher (10 mm)	43.	11-052618-001	Carriage Bolt (10 mm x 50 mm)
11.	11-051703-001	Hex Nut (10 mm)	44.	47-025044-009	Ball Cushion Board with Facing odd lane (left-hand)
12.	47-020948-003	Transverse Bar	45.	11-052603-001	Carriage Bolt (8 mm x 45 mm)
	47-024077-003	Transverse Bar (short pit)	46.	47-021010-003	Impact Strip (black)
13.	11-051058-001	Hex Hd. Cap Screw (10 mm x 55 mm)	47.	11-051055-001	Hex Hd. Cap Screw (8 mm x 60 mm)
14.	47-021009-002	Pulley Holder	48.	47-021195-002	Pulley Holder Complete
15.	11-051786-001	Split Pin (2.5 mm x 25 mm)	49.	11-051744-001	Locknut (8 mm)
16.	11-051014-001	Hex Hd. Cap Screw (6 mm x 45 mm)	50.	11-052018-001	Flat Washer (10.5 mm x 21 mm x 2 mm)
17.	11-052012-001	Flat Washer (18 mm x 24 mm x 2 mm)	51.	47-022410-003	Drive Pulley with Bearing
18.	11-052048-001	Flat Washer (6.4 mm x 16 mm x 1.6 mm)	52.	47-021112-004	Bushing
19.	11-051743-001	Locknut (6 mm)	53.	11-051515-001	Socket Hd. Cap Screw (6 mm x 18 mm)
20.	N.A.	Long Brake Plate (for single feed distributors)	54.	11-051702-001	Hex Nut (6 mm)
21.	N.A.	Rubber Material (rear)	55.	47-021488-004	Spacer (long)
22.	47-022098-004	Hydraulic Protector Plate	56.	N.A.	Ball Cushion Frame Assembly odd lane (left-hand) Complete
23.	11-051704-001	Hex Nut (8 mm)	57.	N.A.	Ball Cushion Frame Assembly even lane (right-hand) Complete
24.	47-021489-004	Spacer (short)	58.	47-274281-009	Ball Cushion Repair Kit
25.	11-051052-001	Hex Hd. Cap Screw (10 mm x 45 mm)	59.	47-024276-004	Rubber Head Screws
26.	N.A.	Short Brake Plate	60.	47-023660-004	Cap
27.	N.A.	Rubber Material (forward)	61.	N.A.	Jam Nut (12 mm x 8 mm)
28.	11-051879-001	Truss Hd. Machine Screw (6 mm x 20 mm)	62.	47-021119-004	Special Round Top Nut (12 mm)
29.	11-053578-000	Rubber Bumper - male (8 mm)	63.	11-052015-001	Flat Washer (13 mm x 24 mm x 3 mm)
30.	47-025639-009	Ball Cushion Frame w/Bracket (for both right-hand and left-hand machines)	64.	N.A.	Cushion Flap even lane (right-hand)
31.	47-274888-009	Cushion Flap Kit Complete	65.	N.A.	Cushion Flap odd lane (left-hand)
32.	N.A.	Ball Cushion Hydraulic Complete (order 99-020402-002)	66.	99-020402-002	Ball Cushion Hydraulic- Complete (all GS Pinsetters)
			67.	47-021108-004	Spacer (used in new and old Shock)
			68.	11-055351-000	Sealing Ring (all GS Shocks)
			69.	47-071602-004	Cushion Shock Spring
			70.	47-025637-003	Bracket
			71.	47-025638-004	Spacer

N.A. = No Longer Available

Ball Cushion Assembly



Ball Cushion Assembly

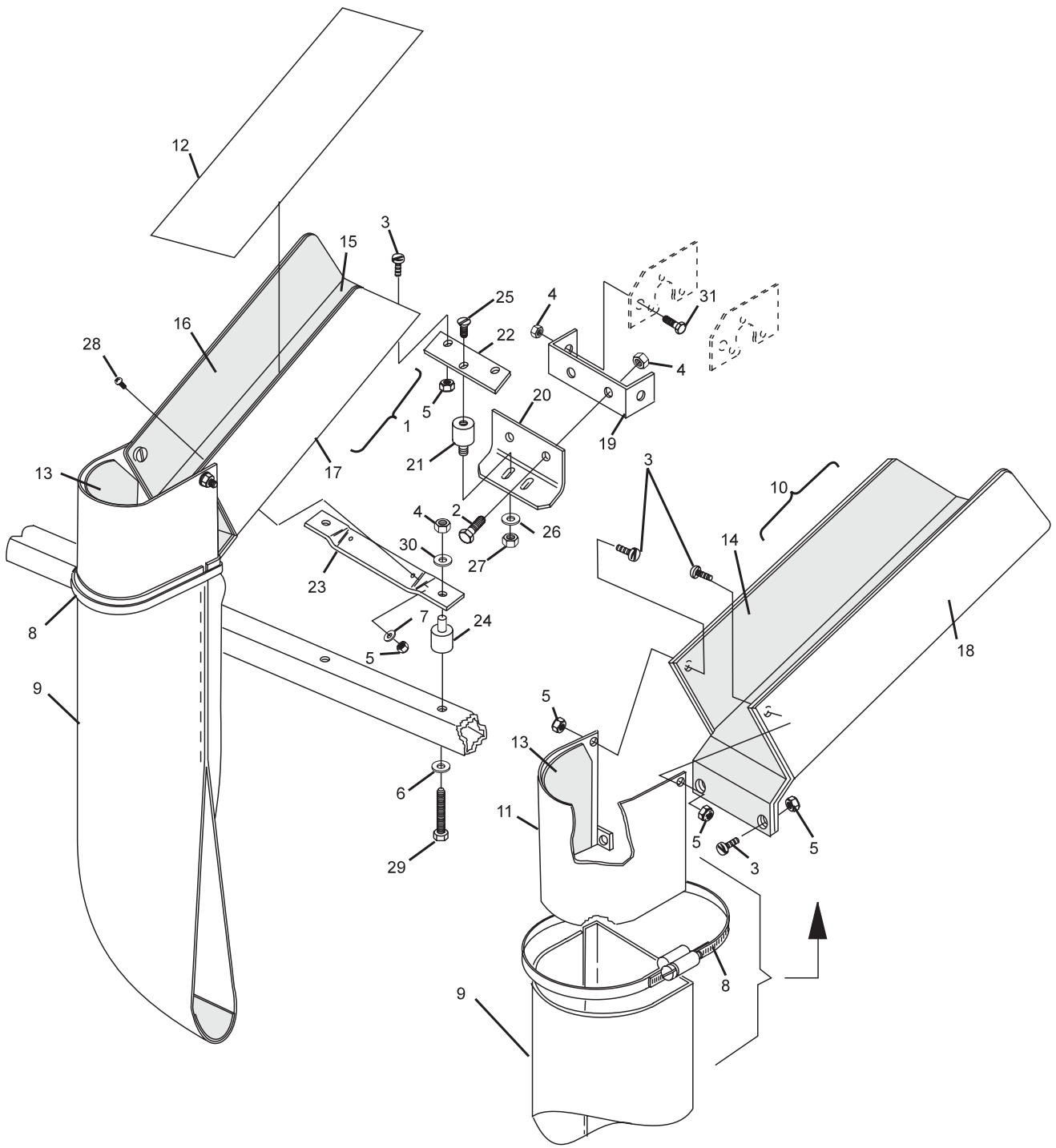
Index No.	Part No.	Description
1.	*47-092332-003	Overflow Chute Complete (right-hand, long pit version)- special order
	*47-095186-009	Overflow Chute Complete (right-hand, short pit version) - see page 6C
2.	11-051043-001	Hex Hd. Cap Screw (8 mm x 12 mm)
3.	11-052361-001	Pan Hd. Machine Screw (5 mm x 12 mm)
4.	11-051744-001	Locknut (8 mm)
5.	11-051742-001	Locknut (5 mm)
6.	11-052019-001	Flat Washer (8.4 mm x 25 mm x 2 mm)
7.	11-052039-001	Fender Washer (5.3 mm x 15 mm x 1.2 mm)
8.	11-603301-000	Overflow Chute Clamp
	47-862780-000	Chute Clamp Kit (consists of 10 clamps only -no banding.)
9.	47-092529-000	Sock (white)
	47-092529-600	Sock - heavy duty (white)
	47-022530-000	Sock (black)
10.	**47-092333-003	Overflow Chute Complete (left-hand, long pit version) - special order
	**47-095187-009	Overflow Chute Complete (left-hand, short pit version) - see page 6C
11.	47-092298-003	Sock Brace Only
12.	47-092527-000	Pin Wipe
13.	47-092310-004	Felt (for Sock Brace)
14.	47-092448-004	Felt (for inside wall, long pit version)
	47-094073-004	Felt (for inside wall, short pit version)
15.	47-092449-004	Felt (for bottom, long pit version)
	47-094075-004	Felt (for bottom, short pit version)
16.	47-092450-004	Felt (for outside wall, long pit version)
	47-094076-004	Felt (for outside wall, short pit version)
17.	N.A.	Overflow Chute Only (right-hand, long pit version)
	N.A.	Overflow Chute Only (right-hand, short pit version)
18.	N.A.	Overflow Chute Only (left-hand, long pit version)
	N.A.	Overflow Chute Only (left-hand, short pit version)
19.	47-093749-004	Bracket
20.	47-094355-004	Bracket
21.	11-053575-000	Rubber Mount
22.	47-094356-004	Plate
23.	47-094357-003	Plate
24.	11-053585-000	Rubber Mount
25.	11-052928-001	Countersunk Screw (6 mm x 10 mm)
26.	11-052048-001	Flat Washer (6.4 mm x 16 mm x 1.6 mm)
27.	11-051743-001	Locknut (6 mm)
28.	11-052369-001	Pan Hd. Machine Screw (5 mm x 16 mm)
29.	11-051011-001	Hex Hd. Cap Screw (8 mm x 50 mm)
30.	11-052006-001	Flat Washer (8.4 mm x 20 mm x 2 mm)
31.	11-051038-001	Hex Hd. Cap Screw (8 mm x 16 mm)

N.A.= No Longer Available

* Includes Index Nos. 3,5,7,8,9,11,13,14,15,16 and 17

** Includes Index Nos. 3,5,7,8,9,11,13,14,15,16 and 18

Dual Feed Overflow Chute



Dual Feed Overflow Chute

Index No.	Part No.	Description
1.	11-051030-001	Hex Hd. Cap Screw (5 mm x 20 mm)
2.	11-052039-001	Flat Washer (5.3 mm x 15 mm x 1.2 mm)
3.	11-051742-001	Locknut (5 mm)
4.	11-051744-001	Locknut (8 mm)
5.	11-051043-001	Hex Hd. Cap Screw (8 mm x 12 mm)
6.	47-022530-000	Sock (black)
	47-092529-600	Sock - heavy duty (white)
7.	11-603301-000	Overflow Chute Clamp
8.	*47-095739-009	Plastic Chute (left-hand)
9.	*47-095740-009	Plastic Chute (right-hand)
10.	47-095080-004	Support Bracket
11.	**47-093937-003	Chute Assembly Right-Hand
	**47-093938-003	Chute Assembly Left-Hand
12.	47-860003-000	Pin Wipe
13.	47-093749-004	Chute Bracket

* When ordering - order the new style chute part numbers:

47-095738-001 Plastic Chute - only (left-hand)

47-095737-001 Plastic Chute - only (right-hand)

And order upgrade kit 47-275731-009 to upgrade to a shock mounted overflow chute, contains parts for two chutes.

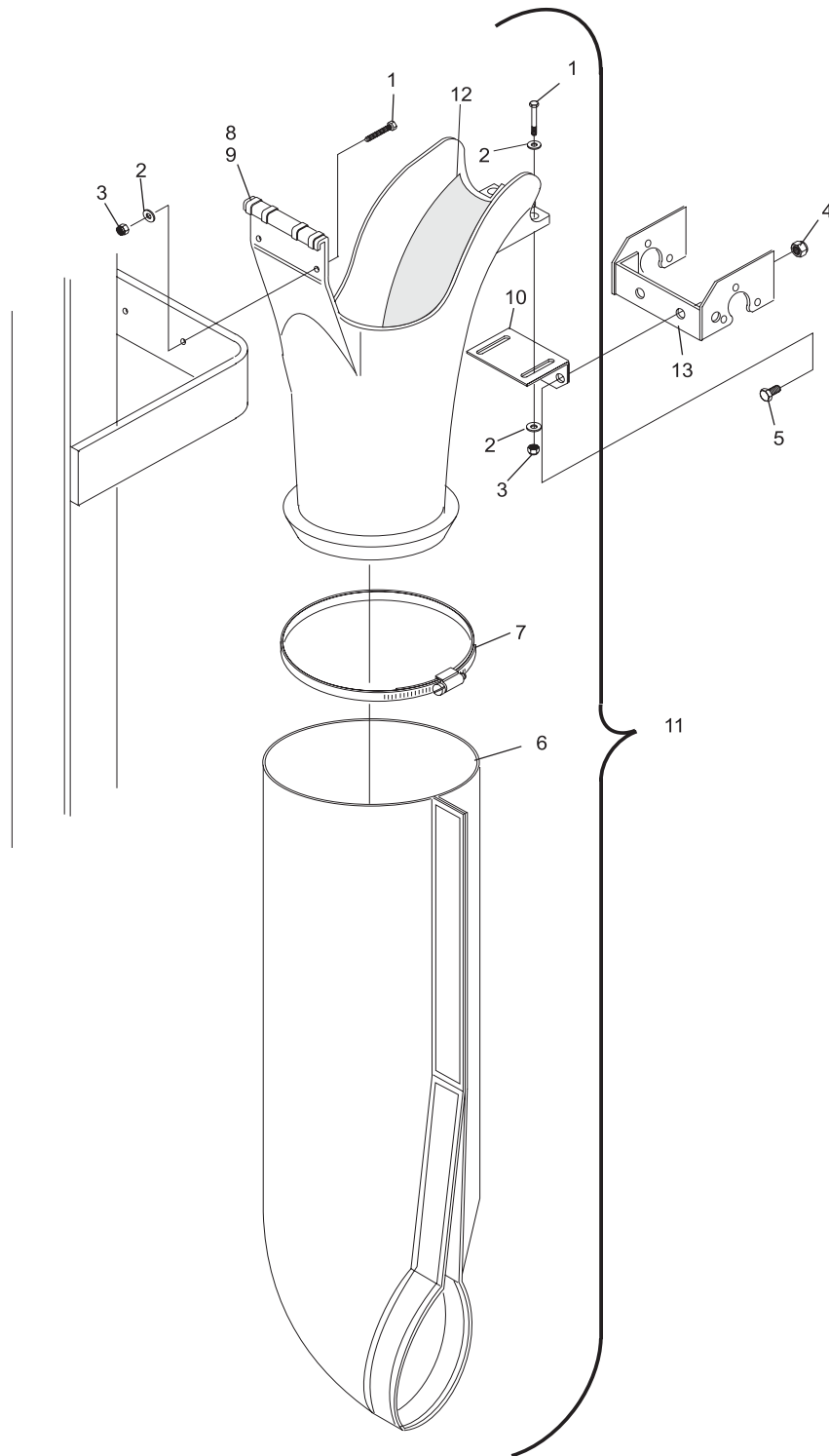
** Order new shock mounted overflow chutes:

47-095740-009 Chute Assembly w/out Sock (right-hand)

47-095739-009 Chute Assembly w/out Sock (left-hand)

Reference page 11C.

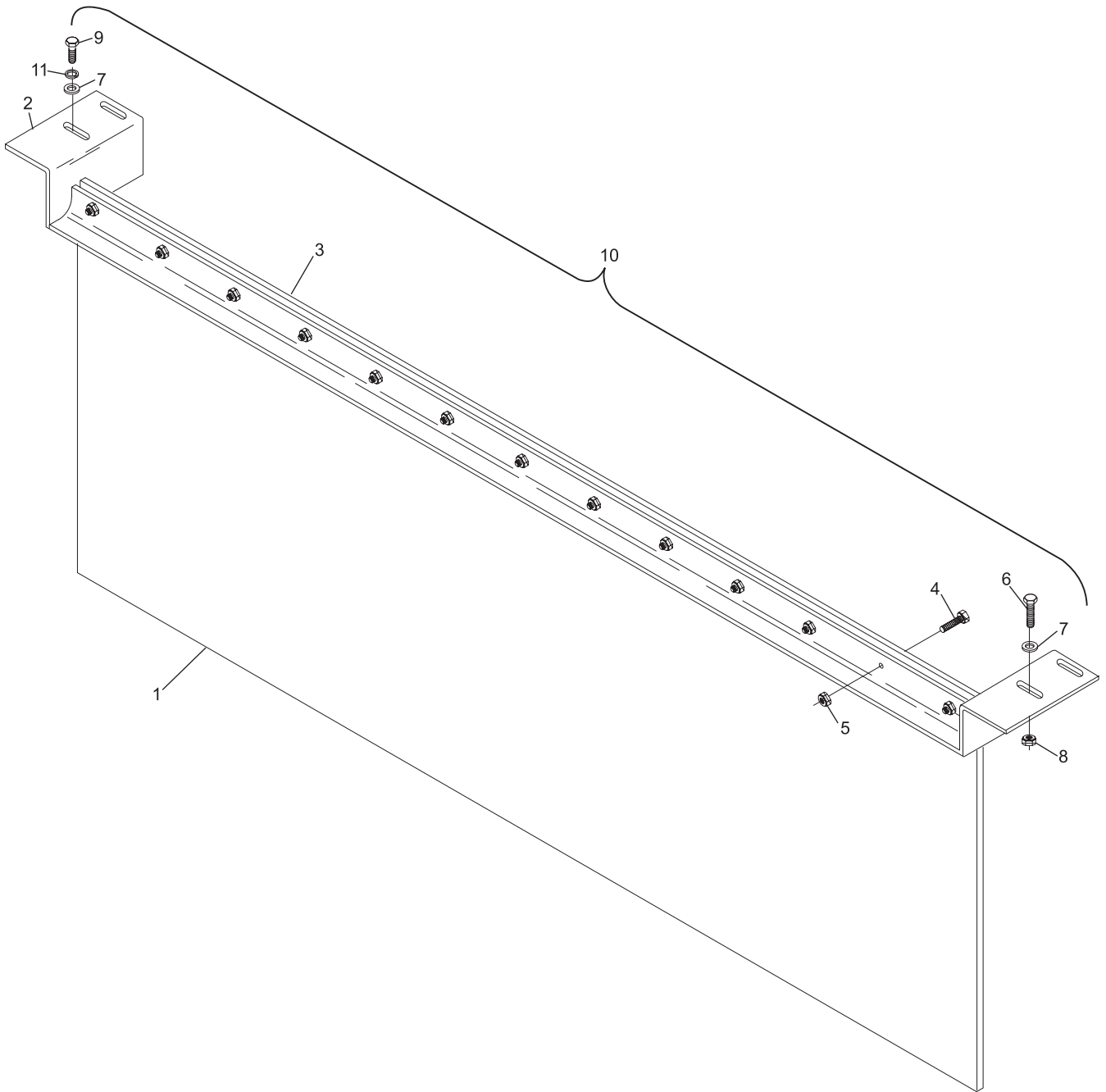
Dual Feed Overflow Chute (Plastic)



**Dual Feed Overflow Chute
(Plastic)**

Index No.	Part No.	Description
1.	47-021084-004	Curtain
2.	47-021088-002	Pit Curtain Holder
3.	N.A.	Pit Curtain Support Bracket
4.	11-051533-001	Socket Hd. Cap Screw (8 mm x 25 mm)
5.	11-051744-001	Locknut (8 mm)
6.	11-051005-001	Hex Hd. Cap Screw (10 mm x 20 mm)
7.	11-052006-001	Flat Washer (8.4 mm x 20 mm x 2 mm)
8.	11-051745-001	Locknut (10 mm)
9.	11-053302-001	Wood Lag Screw (10 mm x 40 mm)
10.	47-021196-002	Pit Curtain Assembly Complete
11.	11-051770-001	Lockwasher (8 mm)

N.A. = No Longer Available

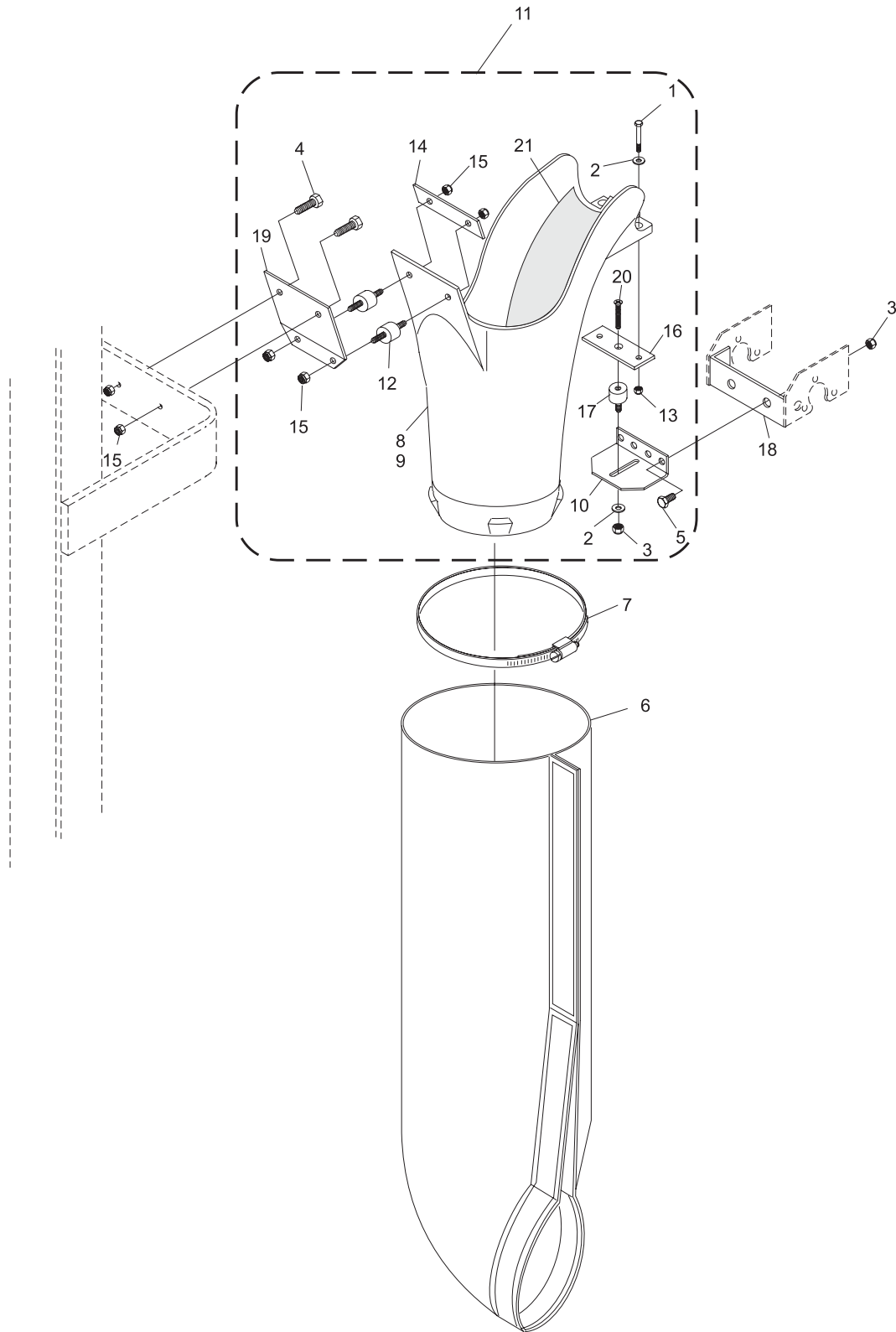


Pit Curtain Assembly

Index No.	Part No.	Description
1.	11-051004-001	Hex Hd. Cap Screw (5 mm x 22 mm)
2.	11-052039-001	Flat Washer (5.3 mm x 15 mm x 1.2 mm)
3.	11-051744-001	Locknut (8 mm)
4.	11-051035-001	Hex Hd. Cap Screw
5.	11-051038-001	Hex Hd. Cap Screw (6 mm x 16 mm)
6.	47-022530-000	Sock (black)
	47-092529-600	Sock - heavy duty (white)
7.	11-603301-000	Overflow Chute Clamp
8.	47-095738-001	Plastic Chute - only (left-hand)
9.	47-095737-001	Plastic Chute - only (right-hand)
10.	47-095728-004	Support Bracket
11.	47-095740-009	Chute Assembly Right-Hand w/out Sock
	47-095739-009	Chute Assembly Left-Hand w/out Sock
12.	11-053587-000	Rubber Bumper (25 mm x 15mm)
13.	11-051742-001	Locknut (5 mm)
14.	47-095727-004	Plate
15.	11-051743-001	Locknut (6 mm)
16.	47-095726-004	Mounting Plate
17.	11-053588-000	Rubber Bumper (30 mm x 20 mm)
18.	47-093749-004	Chute Bracket
19.	47-095729-004	Bracket
20.	11-052938-001	Flat Hd. Screw (8 mm x 12 mm)
21.	47-860003-000	Pin Wipe
22.	*47-275731-009	Overflow Chute Conversion Kit (contains index numbers: 2, 3, 4, 5, 10, 12, 14, 15, 16, 17, 19 and 20)

* *Not illustrated*

Shock Mounted Dual Feed Overflow Chute (Plastic)



**Shock Mounted Dual Feed Overflow Chute
(Plastic)**