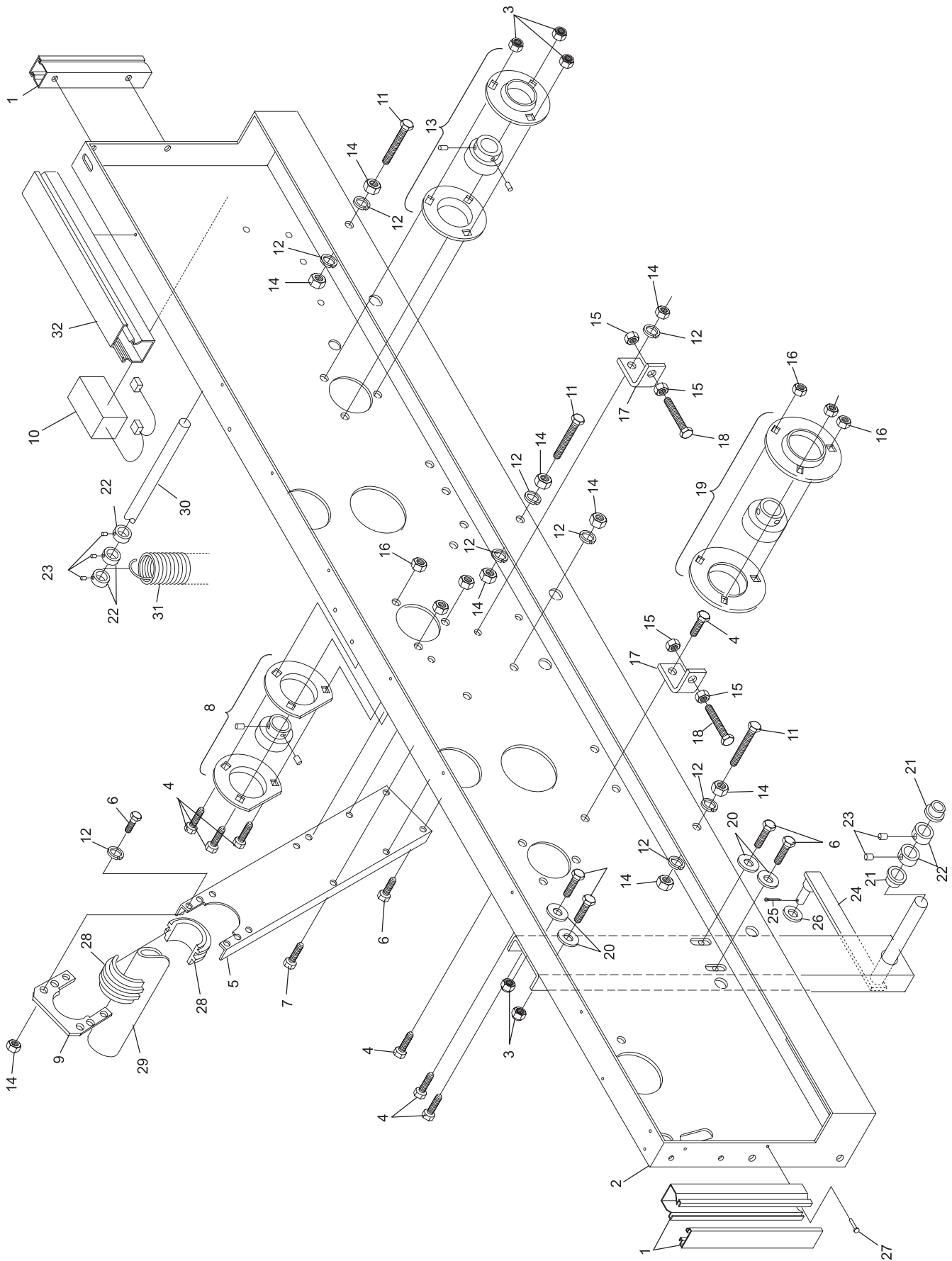


Section G

DRIVE FRAME ASSEMBLIES

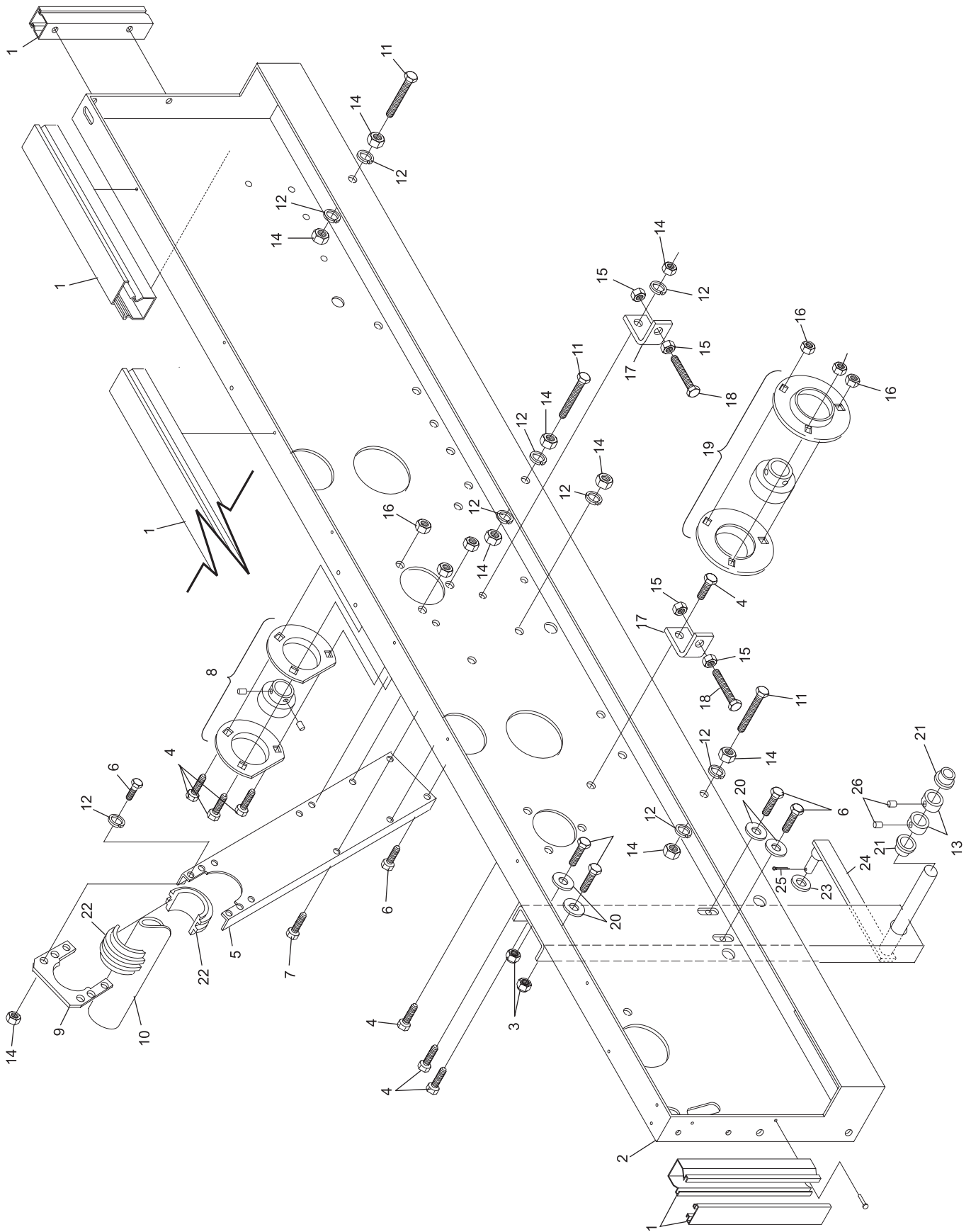
Index No.	Part No.	Description
1.	47-073795-004	Cable Channel (30 mm x 200 mm)
2.	47-071779-001	Gear Train Frame (left-hand)
3.	11-051744-001	Locknut (8 mm)
4.	11-051005-001	Hex Hd. Cap Screw (10 mm x 20 mm)
5.	47-070186-003	Sweep Shaft Support
6.	11-051038-001	Hex Hd. Cap Screw (8 mm x 16 mm)
7.	11-051010-001	Hex Hd. Cap Screw (8 mm x 20 mm)
8.	47-073832-004	Shaft Bearing Assembly with Cut Retainer Plate
9.	47-081958-004	Sweep Bearing Holder
10.	47-223077-004	Frame Counter Assembly
11.	11-051011-001	Hex Hd. Cap Screw (8 mm x 50 mm)
12.	11-051770-001	Lockwasher (8 mm)
13.	11-052901-000	Bearing Assembly with Retaining Plates
14.	11-051704-001	Hex Nut (8 mm)
15.	11-051703-001	Hex Nut (10 mm)
16.	11-051771-001	Lock Nut (10 mm)
17.	47-070169-004	Angle Bracket
18.	11-051046-001	Hex Hd. Cap Screw (10 mm x 80 mm)
19.	11-052902-000	Shaft Bearing Assembly with Retaining Plates
20.	11-052003-001	Flat Washer (8.4 mm x 17 mm x 1.6 mm)
21.	99-010107-004	Bushing
22.	11-053619-001	Stop Collar (20 mm x 32 mm x 14 mm)
23.	11-052803-001	Set Screw (6 mm x 10 mm)
24.	47-040283-003	Sweep Guide Lever
25.	11-051794-001	Split Pin (3.2 mm x 20 mm)
26.	11-052024-001	Flat Washer (13 mm x 30 mm x 1.6 mm)
27.	N.A.	Pop Rivet
28.	47-081959-003	Sweep Shaft Bearing
29.	47-041530-002	Sweep Shaft
30.	47-052123-004	Spring Shaft
31.	47-052120-004	Spring
32.	47-073797-004	Cable Channel (30 mm x 1800 mm)

N.A. = No Longer Available



Left Drive Frame Assembly

Index No.	Part No.	Description
1.	47-084284-004	Cable Channel 1 meter - (cut to length)
2.	47-075452-001	Gear Train Frame (left-hand)
3.	11-051744-001	Locknut (8 mm)
4.	11-051005-001	Hex Hd. Cap Screw (10 mm x 20 mm)
5.	47-070186-003	Sweep Shaft Support
6.	11-051038-001	Hex Hd. Cap Screw (8 mm x 16 mm)
7.	11-051010-001	Hex Hd. Cap Screw (8 mm x 20 mm)
8.	47-073832-004	Shaft Bearing Assembly with Cut Retainer Plate
9.	47-081958-004	Sweep Bearing Holder
10.	47-045458-002	Sweep Shaft
11.	11-051011-001	Hex Hd. Cap Screw (8 mm x 50 mm)
12.	11-051770-001	Lockwasher (8 mm)
13.	11-053619-001	Stop Collar (20 mm x 32 mm x 14 mm)
14.	11-051704-001	Hex Nut (8 mm)
15.	11-051703-001	Hex Nut (10 mm)
16.	11-051745-001	Lock Nut (10 mm)
17.	47-070169-004	Angle Bracket
18.	11-051046-001	Hex Hd. Cap Screw (10 mm x 80 mm)
19.	11-052902-000	Shaft Bearing Assembly with Retaining Plates
20.	11-052003-001	Flat Washer (8.4 mm x 17 mm x 1.6 mm)
21.	99-010107-004	Bushing
22.	47-081959-003	Sweep Shaft Bearing
23.	11-052024-001	Flat Washer (13 mm x 30 mm x 1.6 mm)
24.	47-040283-003	Sweep Guide Lever
25.	11-051794-001	Split Pin (3.2 mm x 20 mm)
26.	11-052803-001	Set Screw (6 mm x 10 mm)

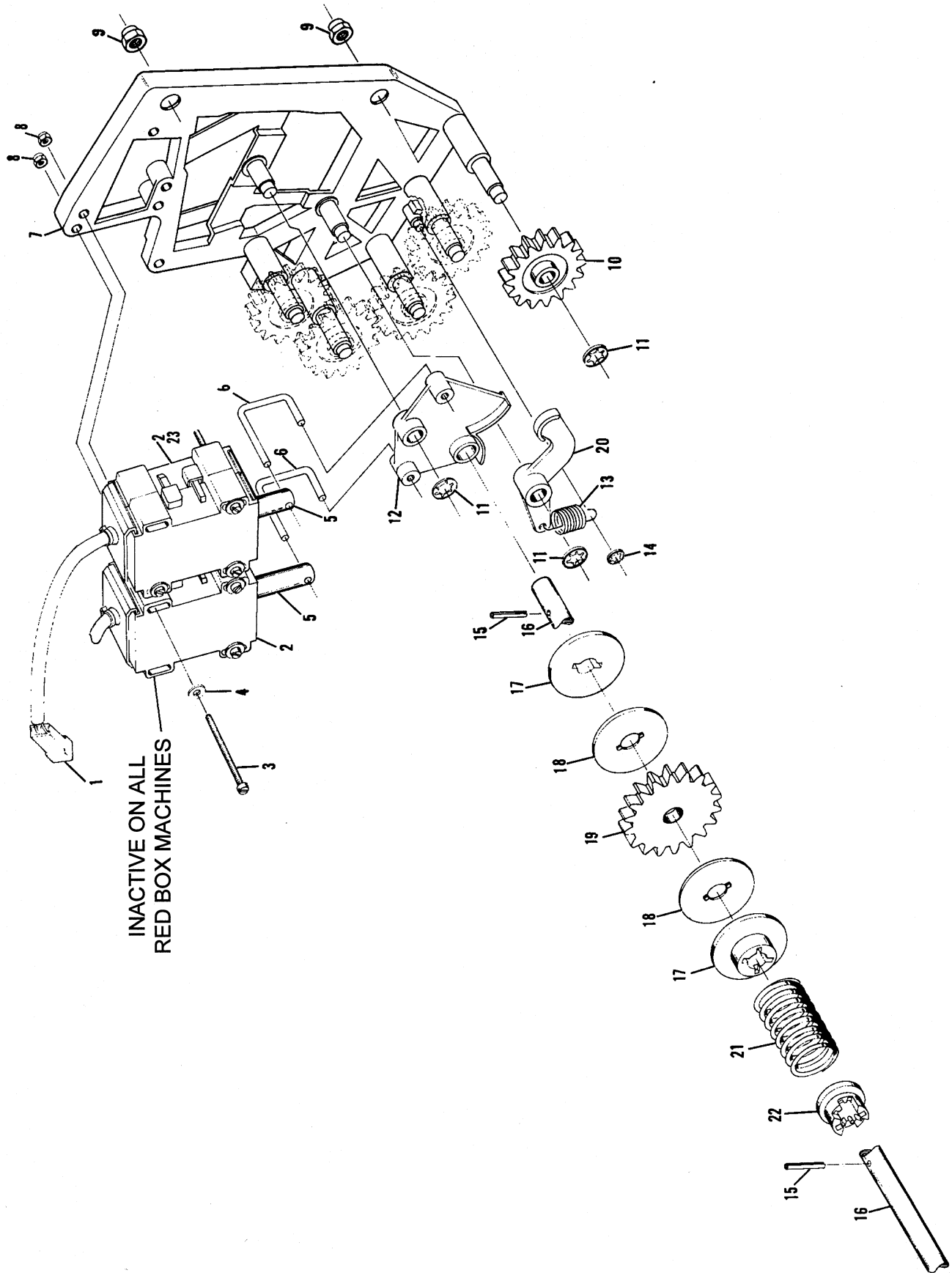


**Left Drive Frame Assembly
(Machine Series 443 and Above)**

Index No.	Part No.	Description
1.	N.A.	Plug Only
2.	*99-060219-004	Solenoid Assembly with Plug (red box)
3.	11-052202-001	Slotted Machine Screw (5 mm x 55 mm)
4.	11-052039-001	Flat Washer (5.3 mm x 15 mm x 1.6 mm)
5.	99-060133-004	Plunger
6.	47-071865-004	Connecting Link
7.	47-071858-002	Solenoid Holder
8.	11-051742-001	Locknut (5 mm)
9.	11-051745-001	Locknut (10 mm)
10.	47-072023-004	Cluster Gear
11.	11-053478-001	Starlock (8 mm)
12.	47-071859-004	Pivot Lever Plate
13.	47-071866-004	Tension Spring
14.	11-053481-001	Starlock (5 mm)
15.	11-052688-001	Rolled Pin (3 mm x 18 mm)
16.	47-071883-004	Clutch Shaft
17.	47-071863-004	Spring Retainer
18.	47-071864-004	Clutch Disc
19.	47-071862-004	Clutch Gear
20.	47-071860-004	Pivot Lever
21.	47-071868-004	Clutch Spring
22.	47-071869-003	Spring Tightener
23.	*47-243030-004	Solenoid Assembly with Plug (silver and consolidated box)

N.A. = No Longer Available

** Does not include Index No. 5, Plunger*



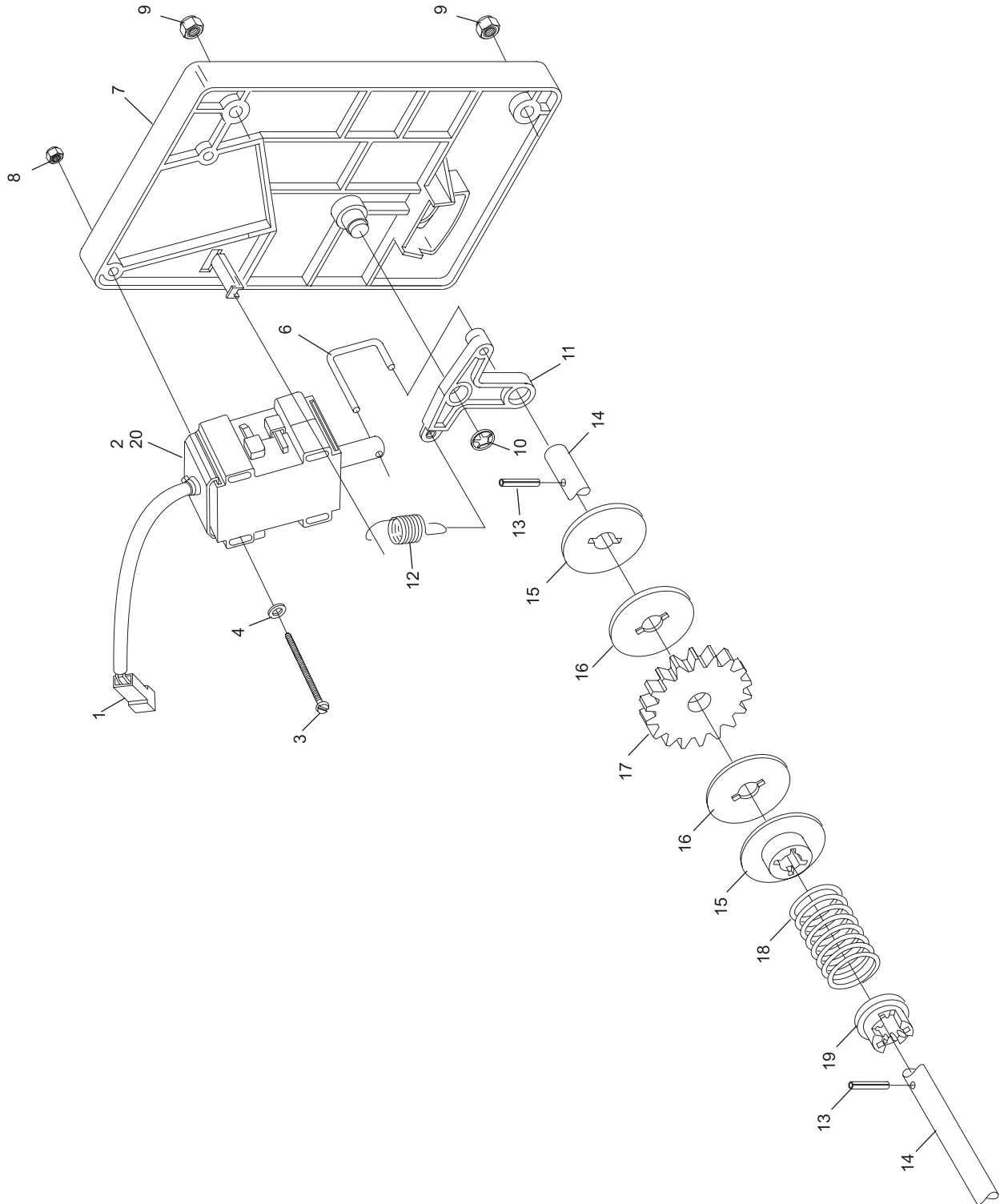
INACTIVE ON ALL
RED BOX MACHINES

Gear Cluster Assembly

Index No.	Part No.	Description
1.	N.A.	Plug Only
2.	*99-060219-004	Solenoid Assembly with Plug (red box)
3.	11-052202-001	Slotted Machine Screw (5 mm x 55 mm)
4.	11-052039-001	Flat Washer (5.3 mm x 15 mm x 1.6 mm)
5.	99-060133-004	Plunger
6.	47-071865-004	Connecting Link
7.	47-075128-002	Solenoid Holder
8.	11-051742-001	Locknut (5 mm)
9.	11-051745-001	Locknut (10 mm)
10.	11-053478-001	Starlock (8 mm)
11.	47-075130-003	Pivot Lever Plate
12.	47-071866-004	Tension Spring
13.	11-052688-001	Rolled Pin (3 mm x 18 mm)
14.	47-071883-004	Clutch Shaft
15.	47-071863-004	Spring Retainer
16.	47-071864-004	Clutch Disc
17.	47-071862-004	Clutch Gear
18.	47-071868-004	Clutch Spring
19.	47-071869-003	Spring Tightener
20.	*47-243030-004	Solenoid Assembly with Plug (silver and consolidated box)

N.A. = No Longer Available

** Does not include Index No. 5, Plunger*

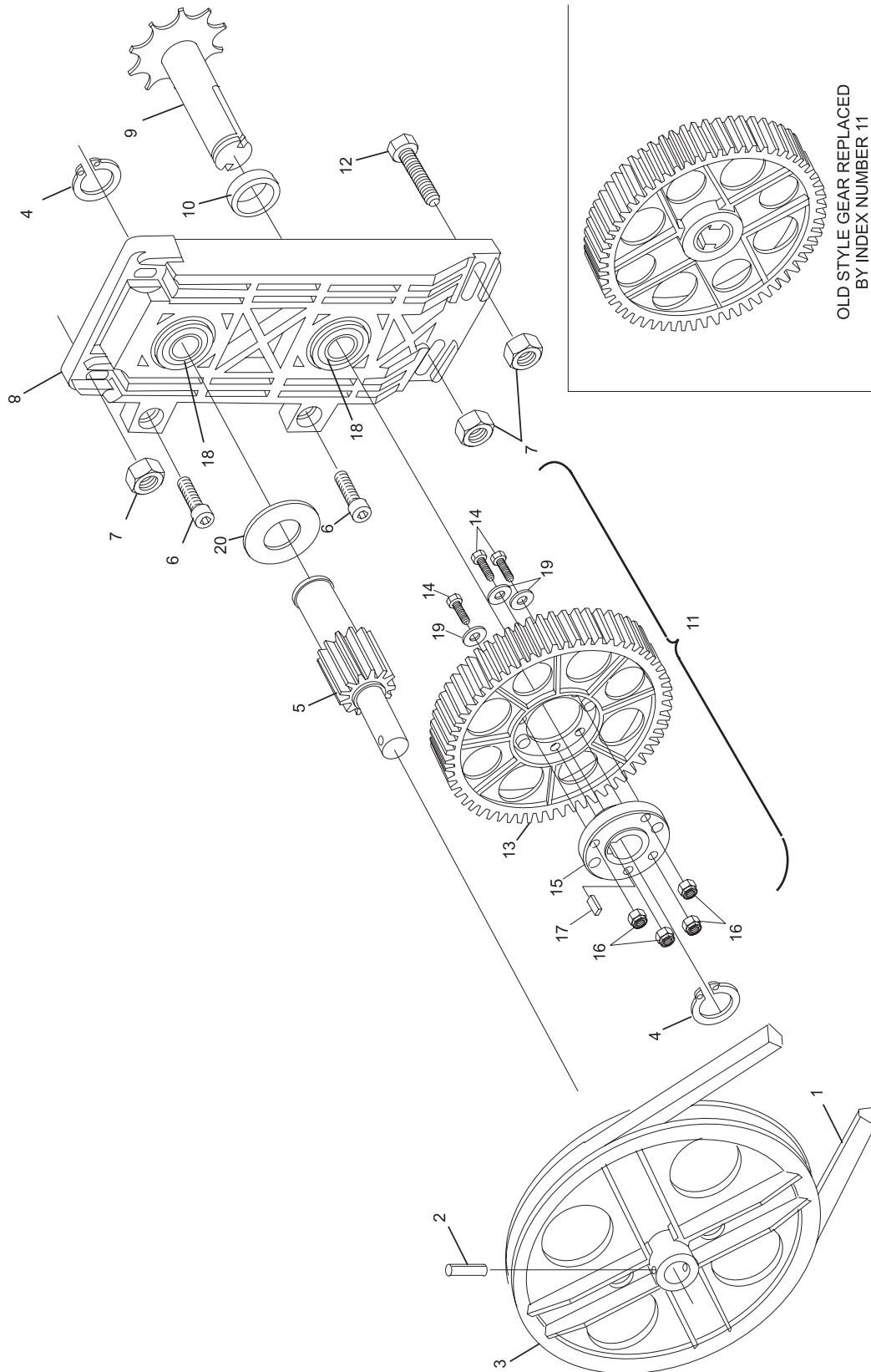


**Gear Cluster Assembly
(GS-96/GS-98/GS-X)**

Index No.	Part No.	Description
1.	11-053901-000	V-Belt (10 mm x 6 mm x 875 mm)
2.	11-052690-001	Rolled Pin (6 mm x 40 mm)
3.	99-070237-002	Pulley
4.	11-051856-001	Retaining Ring (25 mm)
5.	47-071705-004	Pinion Shaft
6.	11-051532-001	Socket Hd. Cap Screw (10 mm x 30 mm)
7.	11-051745-001	Locknut (10 mm)
8.	*47-075076-001	Bearing Plate
9.	47-071823-004	Sprocket Shaft
10.	47-071706-004	Spacer Bushing
11.	47-071702-003	Gear and Hub Assembly (new style for all GS machines)
12.	11-051045-001	Hex Hd. Cap Screw (10 mm x 30 mm)
13.	47-075072-002	Gear only - Plastic
14.	11-051533-001	Hex Head Cap Screw (8 mm x 25 mm)
15.	47-075073-003	Hub only - Metal
16.	11-051744-001	Locknut (8 mm)
17.	11-053511-000	Key (10 mm x 32 mm)
18.	11-450051-000	Bearing
19.	11-052003-001	Washer
20.	11-054102-001	Washer

* Replaces part number 47-071712-002 Bearing Plate

Table Gear, Sweep Gear and Pulley Drive Assembly



**Table Gear, Sweep Gear
and Pulley Drive Assembly**

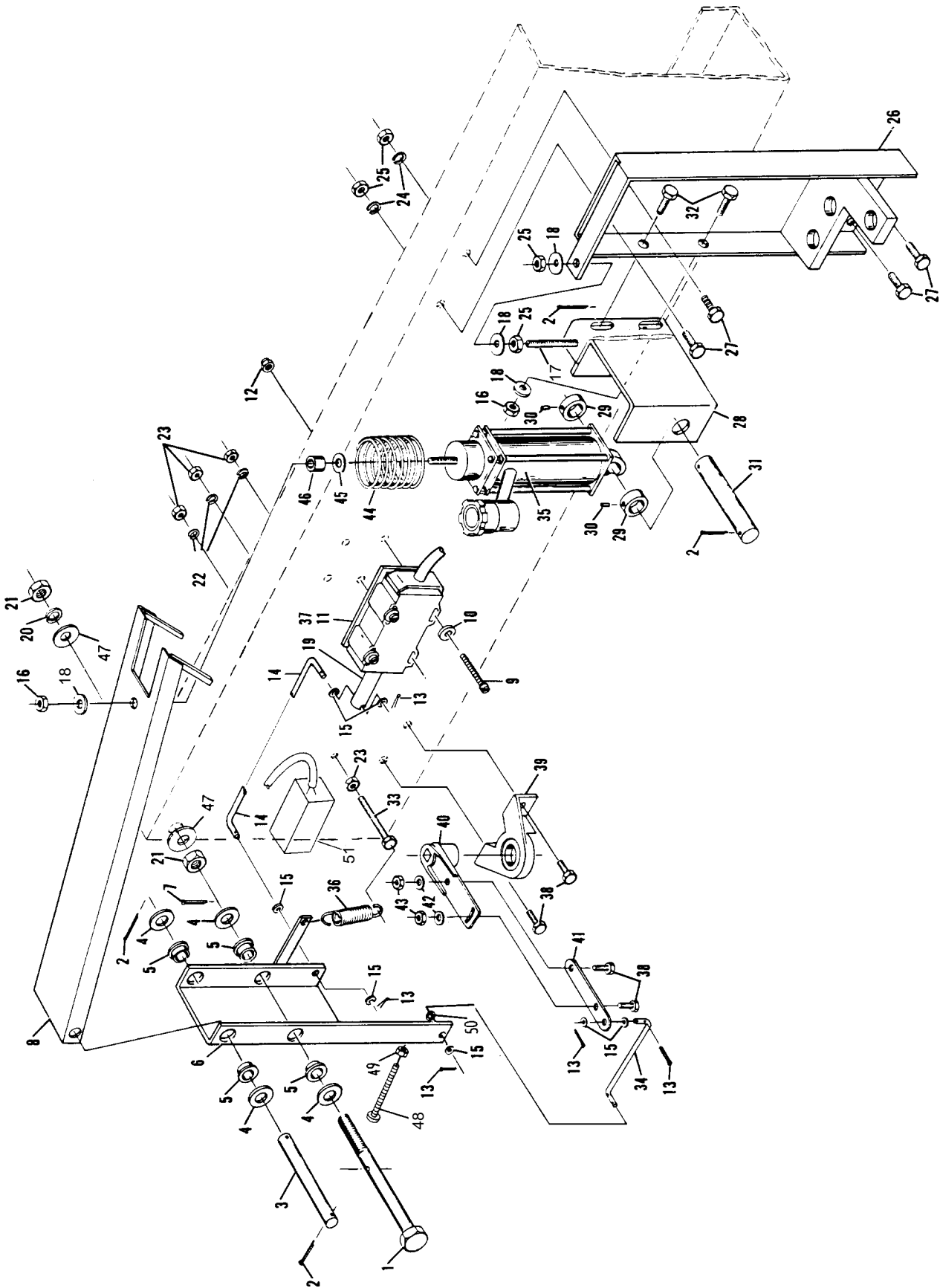
Index

No.	Part No.	Description
1.	47-071673-004	Hex Hd. Cap Screw (14 mm x 160 mm)
2.	11-051786-001	Split Pin (2.5 mm x 25 mm)
3.	47-071507-004	Shaft
4.	11-052036-001	Flat Washer (15 mm x 24 mm x 2 mm)
5.	99-010102-004	Bushing
6.	47-071670-002	Lever Bushing Support
7.	11-051787-001	Split Pin (2 mm x 25 mm)
8.	47-071669-002	Stroke Limiter Plate
9.	11-052202-001	Slt'd. Machine Screw (5 mm x 55 mm)
10.	11-052020-001	Flat Washer (5.3 mm x 12 mm x 0.8 mm)
11.	*99-060219-004	Solenoid (red box) Complete
12.	11-051742-001	Locknut (5 mm)
13.	11-051791-001	Split Pin (1.6 mm x 10 mm)
14.	47-075141-004	Connecting Link (horizontal mount) order 2 each - Speednut 11-053416-001
15.	11-052025-001	Flat Washer (4.3 mm x 9 mm x .8 mm)
16.	11-051744-001	Locknut (8 mm)
17.	11-051025-001	Hex Hd. Cap Screw (8 mm x 70 mm)
18.	11-052019-001	Flat Washer (8.4 mm x 25 mm x 2 mm)
19.	99-060133-004	Plunger Only
20.	11-051773-001	Lockwasher (14 mm)
21.	11-051705-001	Hex Nut (14 mm)
22.	11-051769-001	Lockwasher (6 mm)
23.	11-051702-001	Hex Nut (6 mm)
24.	11-051770-001	Lockwasher (8 mm)
25.	11-051704-001	Hex Nut (8 mm)
26.	47-071509-002	Guide Beam
27.	11-051038-001	Hex Hd. Cap Screw (8 mm x 16 mm)
28.	47-071158-003	Hydraulic Support
29.	11-053624-001	Stop Collar (18 mm)
30.	11-053101-000	Set Screw (6 mm x 8 mm)
31.	47-070311-004	Shaft (18 mm)
32.	11-051010-001	Hex Hd. Cap Screw (8 mm x 20 mm)
33.	11-051014-001	Hex Hd. Cap Screw (6 mm x 45 mm)
34.	47-075142-004	Connecting Link
35.	99-070410-002	Hydraulic Shock Absorber Complete
36.	55-050636-004	Spring
37.	47-243030-004	Solenoid Complete (silver and consolidated box)
38.	11-051035-001	Hex Hd. Cap Screw (6 mm x 16 mm)
39.	47-071578-004	Bearing Block
40.	47-071579-004	Swing Lever
41.	47-071680-004	Connecting Lever
42.	11-052048-001	Flat Washer (6.4 mm x 16 mm x 1.6 mm)
43.	11-051743-001	Locknut (6 mm)
44.	47-071602-004	Spring (not use on new 99-070410-002 Shocks)
45.	11-052003-001	Flat Washer
46.	47-070373-004	Spacer
47.	11-052029-001	Flat Washer (15 mm x 45 mm x 3 mm)
48.	11-052208-001	Adjusting Screw (4 mm x 30 mm)
49.	11-051709-001	Hex Nut (4 mm)
50.	11-051767-001	Lockwasher (4 mm)
51.	47-223077-004	Frame Counter
52.	**57-860828-000	Frame Counter Kit with Command Network and LIU

* Does not include Plunger.

** Not Illustrated

Stroke Limiter Assembly - Horizontal Solenoid

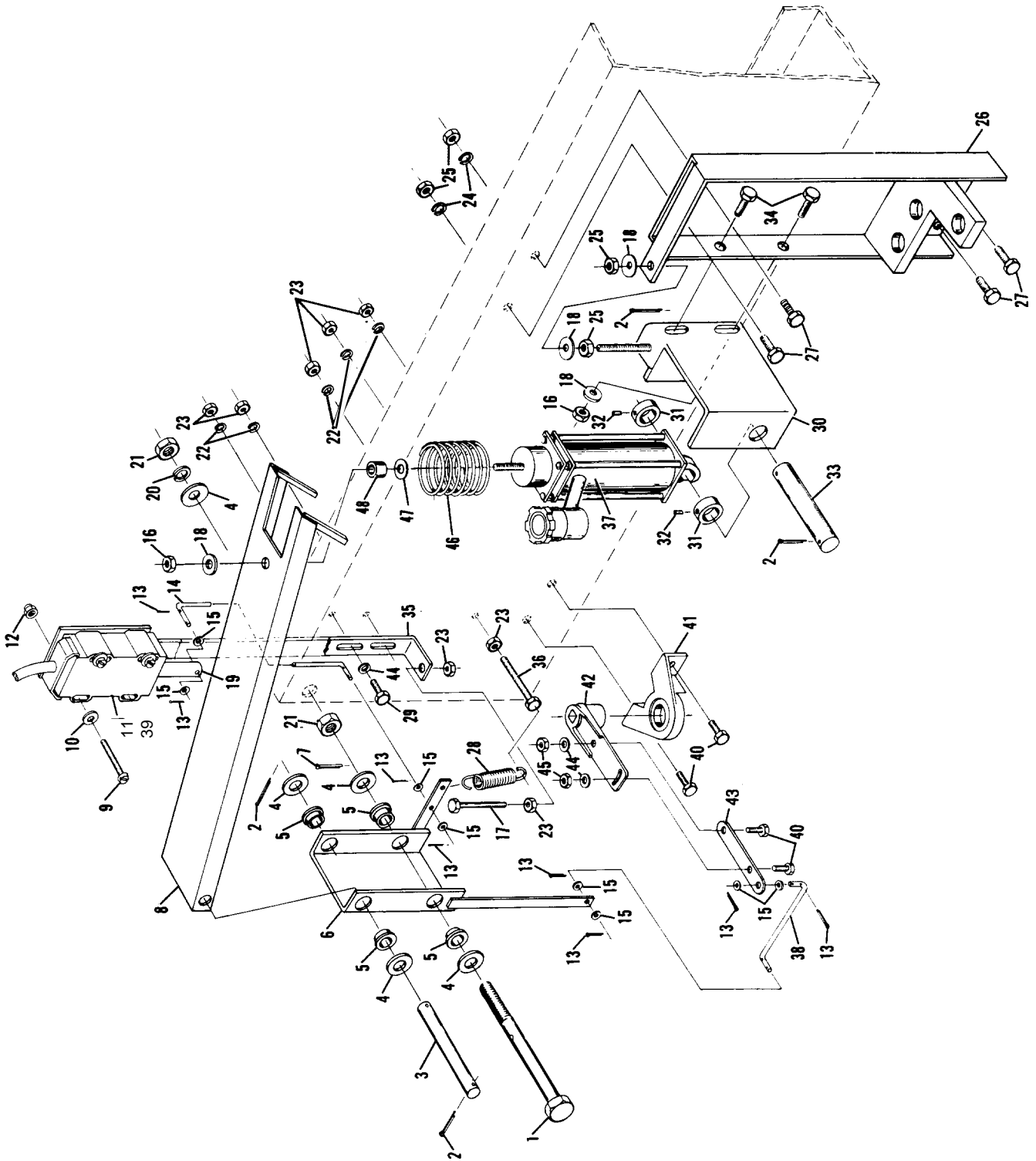


Stroke Limiter Assembly - Horizontal Solenoid

Index No.	Part No.	Description
1.	47-071673-004	Hex Hd. Cap Screw (14 mm x 160 mm)
2.	11-051786-001	Split Pin (2.5 mm x 25 mm)
3.	47-071507-004	Shaft
4.	11-052036-001	Flat Washer (15 mm x 24 mm x 2 mm)
5.	99-010102-004	Bushing
6.	47-071670-002	Lever Bushing Support
7.	11-051787-001	Split Pin (2 mm x 25 mm)
8.	47-071669-002	Stroke Limiter Plate
9.	11-052202-001	Slted. Machine Screw (5 mm x 55 mm)
10.	11-052005-001	Flat Washer (5.3 mm x 10 mm x 1 mm)
11.	*99-060219-004	Solenoid Complete (red box)
12.	11-051742-001	Locknut (5 mm)
13.	11-051791-001	Split Pin (1.6 mm x 10 mm)
14.	47-075141-004	Connecting Link (vertical mount) order 2 each - Speed Nut 11-053476-001
15.	11-052025-001	Flat Washer (4.3 mm x 9 mm x .8 mm)
16.	11-051744-001	Locknut (8 mm)
17.	11-051022-001	Hex Hd. Cap Screw (6 mm x 30 mm)
18.	11-052019-001	Flat Washer (8.4 mm x 25 mm x 2 mm)
19.	99-060133-004	Plunger Only
20.	11-051773-001	Lockwasher (14 mm)
21.	11-051705-001	Hex Nut (14 mm)
22.	11-051769-001	Lockwasher (6 mm)
23.	11-051702-001	Hex Nut (6 mm)
24.	11-051770-001	Lockwasher (8 mm)
25.	11-051704-001	Hex Nut (8 mm)
26.	47-071509-002	Guide Beam
27.	11-051038-001	Hex Hd. Cap Screw (8 mm x 16 mm)
28.	55-050636-004	Spring
29.	11-051018-001	Hex Hd. Cap Screw (6 mm x 20 mm)
30.	47-071158-003	Hydraulic Support
31.	11-053624-001	Stop Collar (18 mm)
32.	11-052801-001	Set Screw (6 mm x 6 mm)
33.	47-070311-004	Shaft
34.	11-051010-001	Hex Hd. Cap Screw (8 mm x 20 mm)
35.	47-071965-003	Solenoid Holder
36.	11-051014-001	Hex Hd. Cap Screw (6 mm x 45 mm)
37.	99-070410-002	Hydraulic Shock Absorber Complete
38.	47-075142-004	Connecting Link
39.	47-243030-004	Solenoid Complete (silver box)
40.	11-051035-001	Hex Hd. Cap Screw (6 mm x 16 mm)
41.	47-071578-004	Bearing Block
42.	47-071579-004	Swing Lever
43.	47-071680-004	Connecting Lever
44.	11-052048-001	Flat Washer (6.4 mm x 16 mm x 1.6 mm)
45.	11-051743-001	Locknut (6 mm)
46.	47-071602-004	Spring
47.	11-052003-001	Flat Washer
48.	47-070373-004	Spacer

* Does not include Plunger.

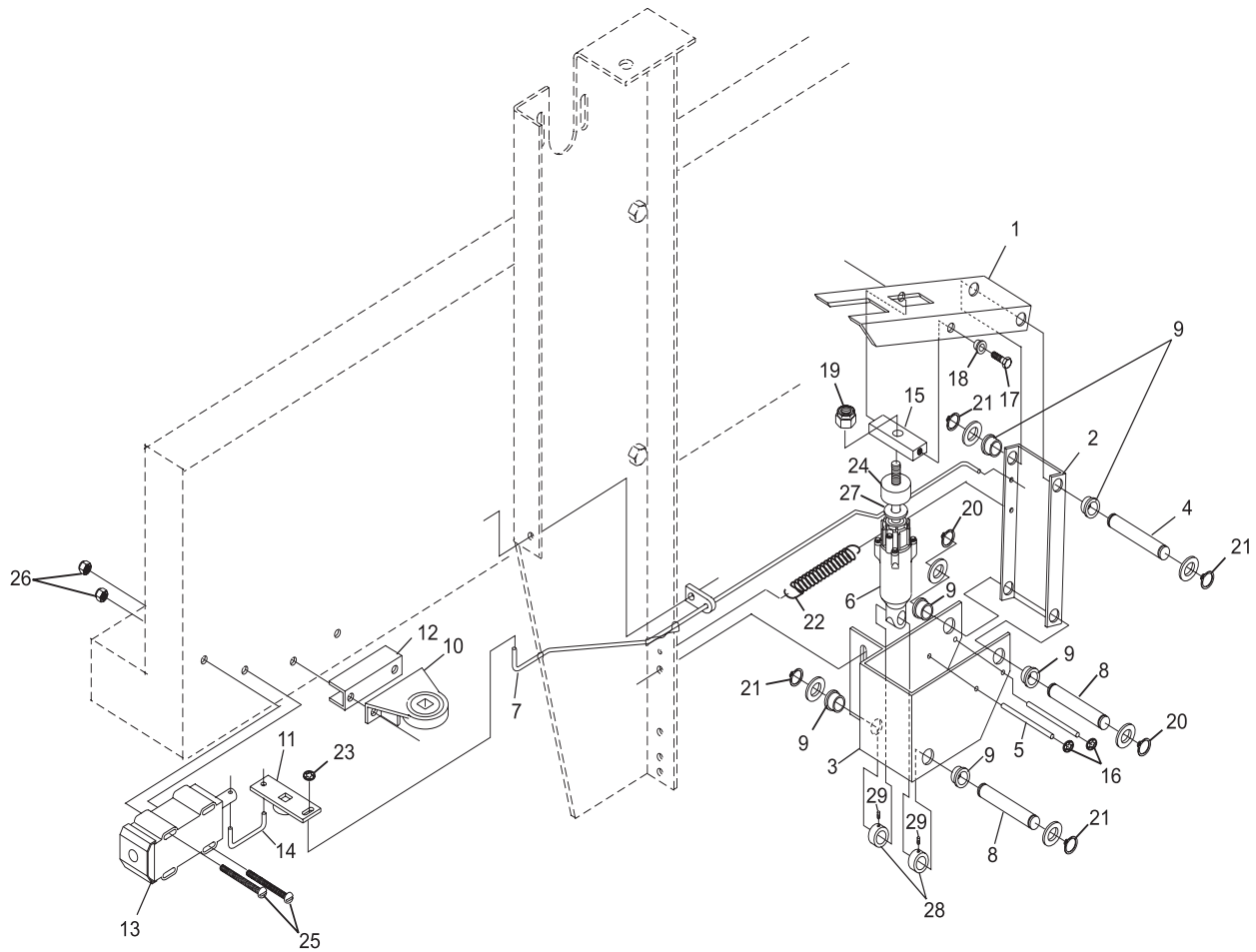
Stroke Limiter Assembly - Vertical Solenoid



Stroke Limiter Assembly - Vertical Solenoid

Index No.	Part No.	Description
1.	47-075468-003	Lever
2.	47-075469-003	Support Bracket
3.	47-075472-003	Support
4.	47-075464-004	Shaft
5.	47-075465-004	Stop Post (3 mm)
	47-075699-004	Stop Post (6 mm)
6.	99-070395-002	Shock Absorber
7.	47-075467-003	Sensor Link
8.	47-075466-004	Shaft
9.	99-010102-004	Flanged Bushing
10.	47-075552-009	Bushing
11.	47-075354-004	Swing Lever
12.	47-075368-004	Bracket
13.	99-070356-004	Solenoid (consolidated and nexgen electronics box)
14.	47-075463-004	Connecting Link
15.	47-075462-004	Plate
16.	11-053475-001	Starlock (3 mm)
	11-053482-001	Starlock (6 mm)
17.	11-051067-001	Screw (8 mm x 35 mm)
18.	47-075435-004	Bushing
19.	11-051745-001	Locknut (10 mm)
20.	11-051857-001	Retaining Ring (14 mm)
21.	11-051861-001	Retaining Ring (13 mm)
22.	55-050636-004	Spring
23.	11-053476-001	Speed Nut (4 mm)
24.	99-070398-004	Shock Bumper
25.	11-052202-001	Slotted Machine Screw (5 mm x 55 mm)
26.	11-051742-001	Locknut (5 mm)
27.	11-052068-001	Washer (10 mm x 3 mm)
28.	11-053624-001	Stop Collar (18 mm)
29.	11-052801-001	Set Screw (6 mm x 6 mm)

**Stroke Limiter Assembly
(Machine Series 443 and Above)**

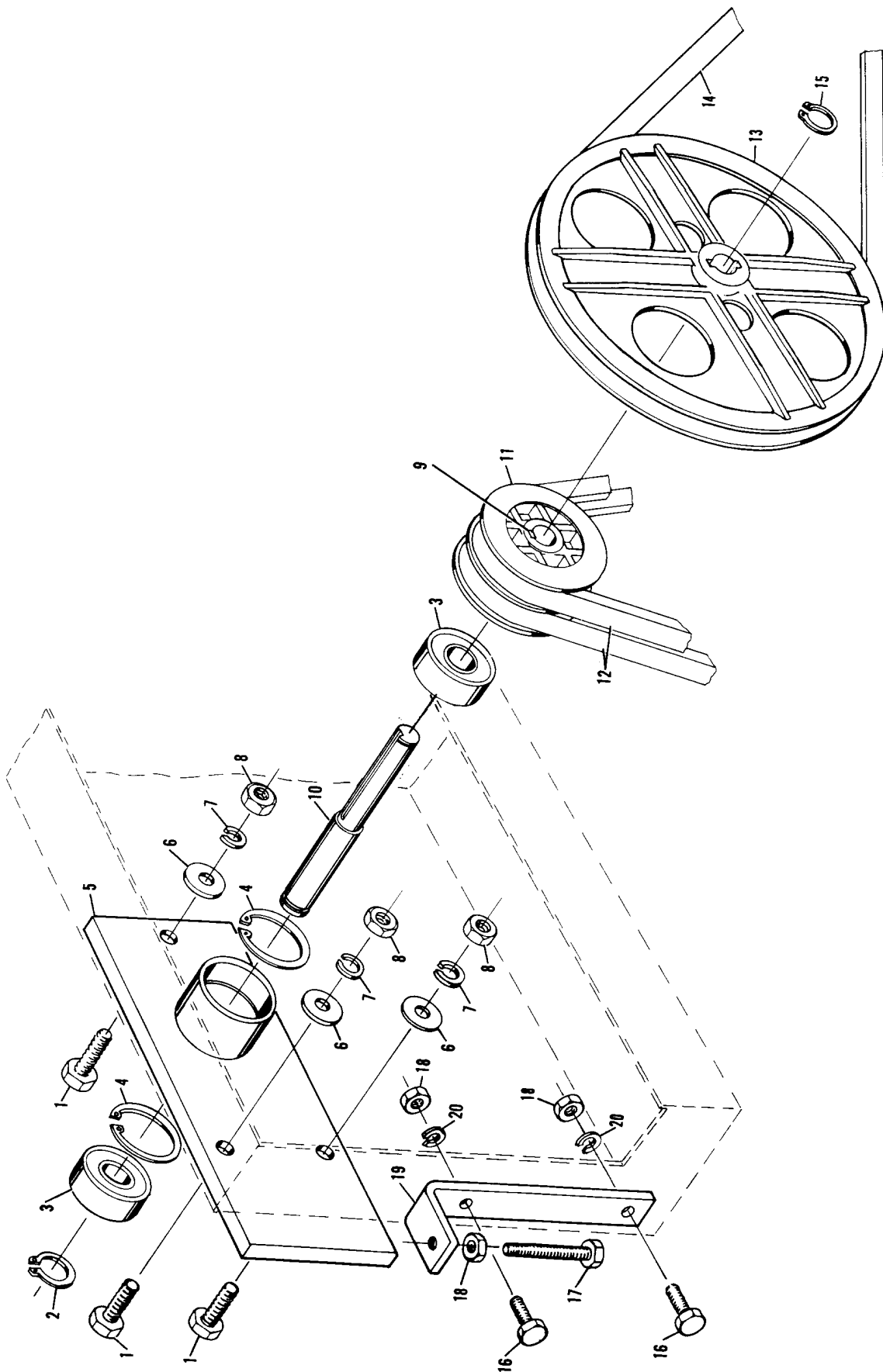


**Stroke Limiter Assembly
(Machine Series 443 and Above)**

Index No.	Part No.	Description
1.	11-051045-001	Hex Hd. Cap Screw (10 mm x 30 mm)
2.	11-051853-001	Retaining Ring (A20)
3.	*N.A.	Bearing
4.	11-051901-001	Retaining Ring J (47 mm)
5.	*N.A.	Bearing Flange
6.	11-052050-001	Flat Washer (10.5 mm x 30 mm x 2.5 mm)
7.	11-051771-001	Lockwasher (10 mm)
8.	11-051703-001	Hex Nut (10 mm)
9.	11-053494-000	Key (5 mm x 5 mm x 32 mm)
10.	*N.A.	Idler Shaft
11.	47-070990-003	Double Pulley
12.	11-053903-000	V-Belt (13 mm x 8 mm x 1375 mm)
13.	99-070162-002	Pulley
14.	11-053901-000	V-Belt (10 mm x 6 mm x 875 mm)
15.	11-051852-001	Retaining Ring (17 mm)
16.	11-051010-001	Hex Hd. Cap Screw (8 mm x 20 mm)
17.	11-051032-001	Hex Hd. Cap Screw (8 mm x 55 mm)
18.	11-051704-001	Hex Nut (8 mm)
19.	47-071482-004	Tensioning Bracket
20.	11-051770-001	Lockwasher (8 mm)

** Order Bearing Assembly part number 47-073520-009 which includes index nos. 2, 3, 4, 5, and 10.*

Front Pulley and V-Belt Tensioner Assembly

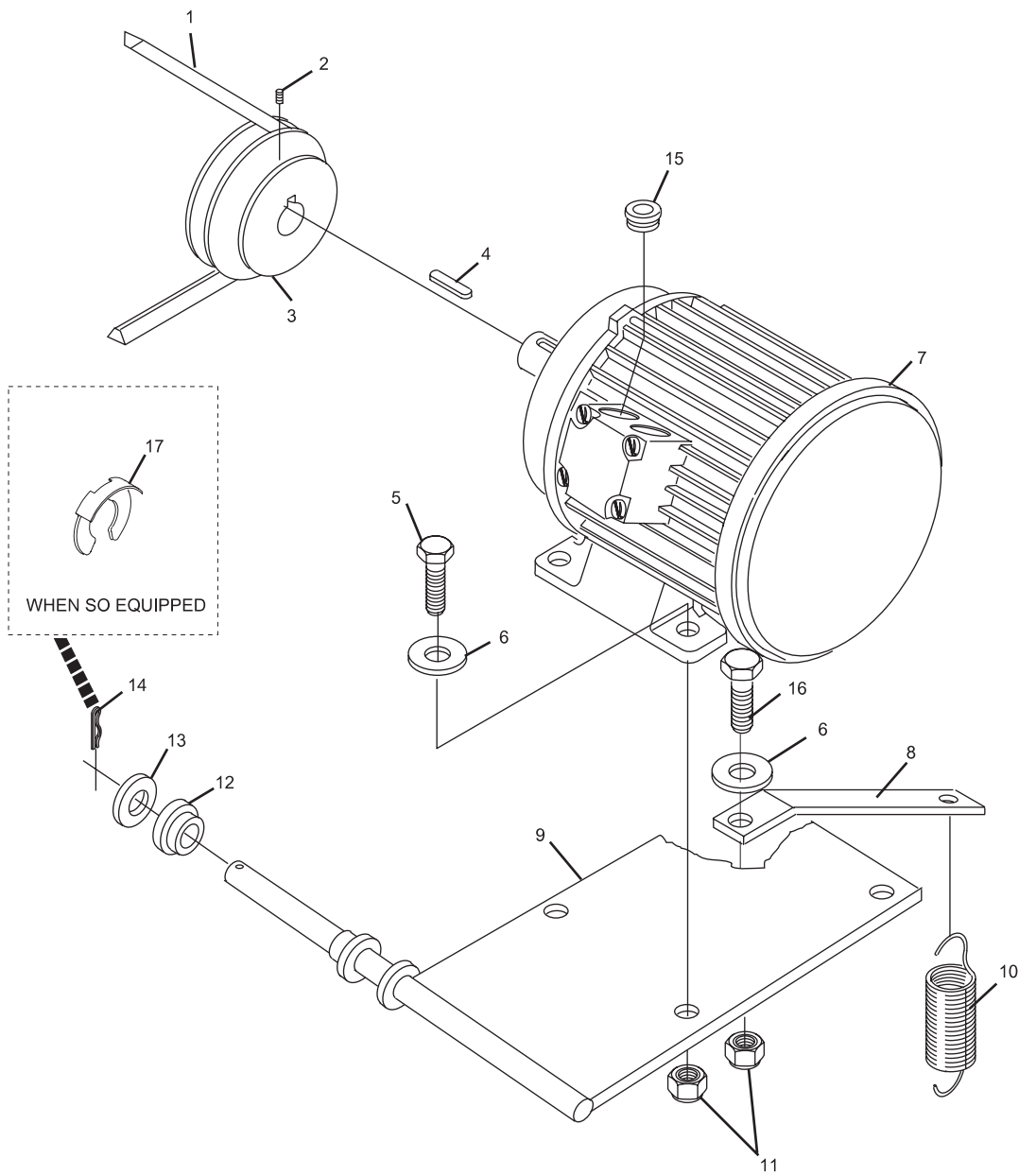


Front Pulley and V-Belt Tensioner Assembly

Index No.	Part No.	Description
1.	11-053901-000	V-Belt (10 mm x 6 mm x 875 mm)
2.	11-053101-000	Set Screw (6 mm x 8 mm)
3.	*47-073866-004	Motor Drive Pulley - Dual Sheave (50 or 60 Hz)
	*47-075743-004	Distributor Pulley - 10% reduced speed
4.	11-053501-000	Key (5 mm x 5 mm x 25 mm)
5.	11-051028-001	Hex Hd. Cap Screw (6 mm x 25 mm)
6.	11-052048-001	Flat Washer (6.4 mm x 16 mm x 1.6 mm)
7.	99-040113-002	Distributor Motor (1/2 H.P., 230VAC/380VAC)
	99-040295-004	Distributor Motor (1/2 H.P., 208VAC)
8.	47-070167-004	Bracket
9.	47-075147-003	Motor Mount Bracket
10.	99-020163-004	Tension Spring
11.	11-051743-001	Locknut (6 mm)
12.	99-010102-004	Bearing
13.	11-052036-001	Flat Washer (15 mm x 24 mm x 2 mm)
14.	11-054300-001	Hitch Pin
15.	11-680925-000	Strain Relief
16.	11-051022-001	Hex Hd. Cap Screw (6 mm x 30 mm)
17.	11-055400-000	Circlip

** Replaces 47-073740-004 and 47-071445-004 Single Sheave Motor Drive Pulleys.*

Distributor Motor and Mount Assembly



Distributor Motor and Mount Assembly

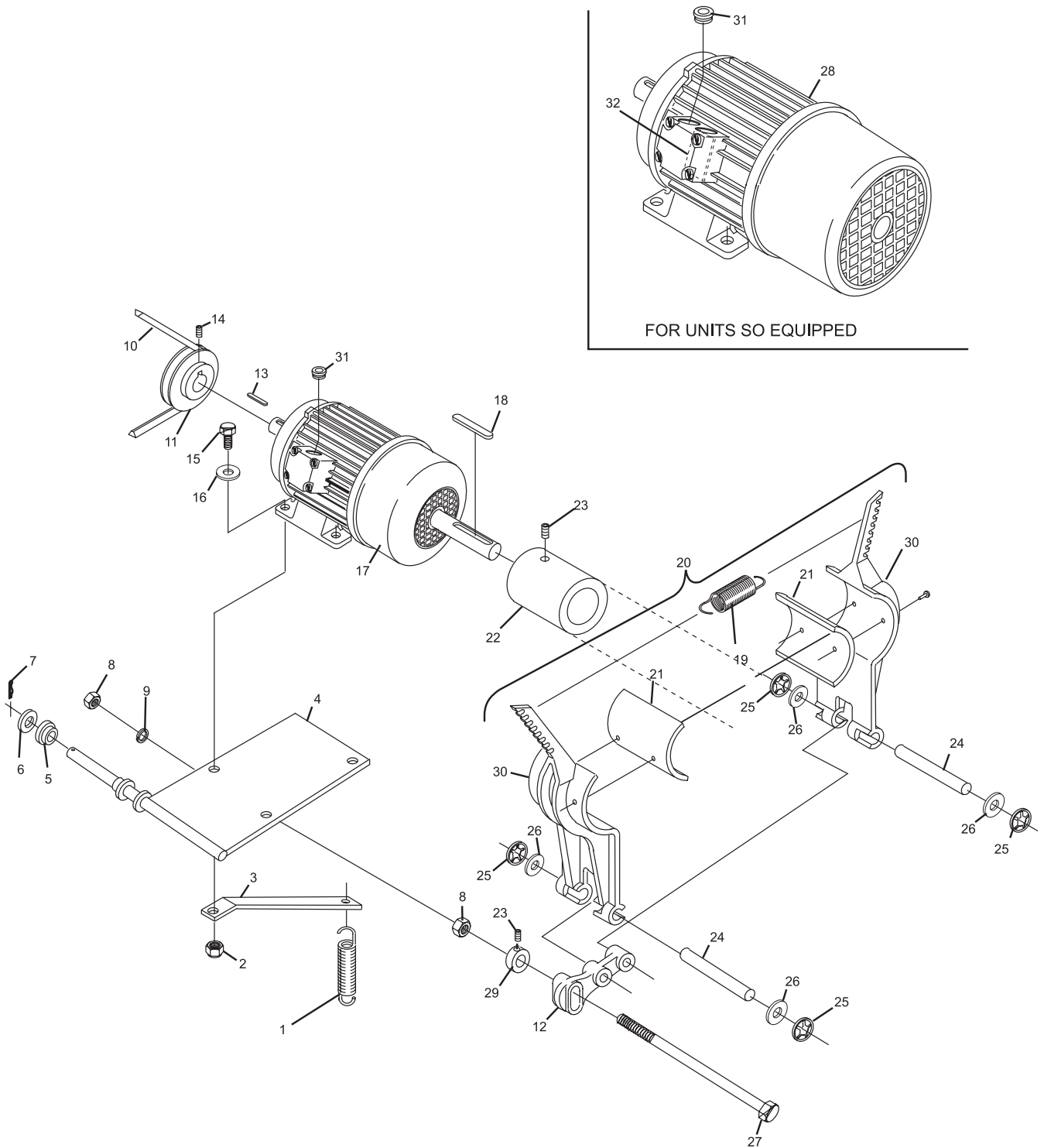
Index No.	Part No.	Description
1.	99-020163-004	Tension Spring
2.	11-051743-001	Locknut (6 mm)
3.	47-071362-004	Bracket
4.	47-075147-003	Motor Mount Bracket
5.	99-010102-004	Bearing
6.	11-052036-001	Flat Washer (15 mm x 24 mm x 2 mm)
7.	11-054301-001	Hitch Pin
8.	11-051703-001	Hex Nut (10 mm)
9.	11-051771-001	Lockwasher (10 mm)
10.	11-053901-000	V-Belt (10 mm x 6 mm x 875 mm)
11.	*47-073862-004	Motor Drive Pulley (50 or 60 Hz)
12.	47-073785-004	Strap Joint
13.	11-053499-000	Key (4 mm x 4 mm x 18 mm)
14.	11-053101-000	Set Screw (6 mm x 8 mm)
15.	11-051028-001	Hex Hd. Cap Screw (6 mm x 25 mm)
16.	11-052048-001	Flat Washer (6.4 mm x 16 mm x 1.6 mm)
17.	N.A.	Motor (1/4 H.P., replaced by index number 28)
18.	11-053500-000	Key (4 mm x 4 mm x 20 mm)
19.	46-070378-004	Tension Spring
20.	N.A.	Brake Assembly
21.	47-071820-004	Shoe
22.	47-071558-004	Spiral Brake Pulley
23.	11-052802-001	Set Screw (5 mm x 8 mm)
24.	N.A.	Shaft (8 mm x 55 mm)
25.	11-053478-001	Starlock (8 mm)
26.	11-052017-001	Flat Washer (8.4 mm x 15 mm x 1.6 mm)
27.	11-051059-001	Hex Hd. Cap Screw (10 mm x 110 mm)
28.	99-040241-004	Stop Motor (1/4 H.P.) with Integral Brake (230/380VAC)
	99-040293-004	Stop Motor (1/4 H.P.) with Integral Brake (208VAC)
29.	11-053617-001	Stop Collar (10 mm x 20 mm x 10 mm)
30.	47-073786-003	Shoe Holder
31.	11-680925-000	Strain Relief
32.	99-070408-004	PCB for New Brake Motor
33.	**N/A	Brake Motor Repair Kit - order 99-040293-004
34.	**99-070406-004	New Brake Kit

N.A. = No Longer Available

** Replaces 47-0711364-004 and 47-073739-004 Motor Drive Pulleys.*

*** Not Illustrated*

Sweep Motor and Brake Assembly



Sweep Motor and Brake Assembly

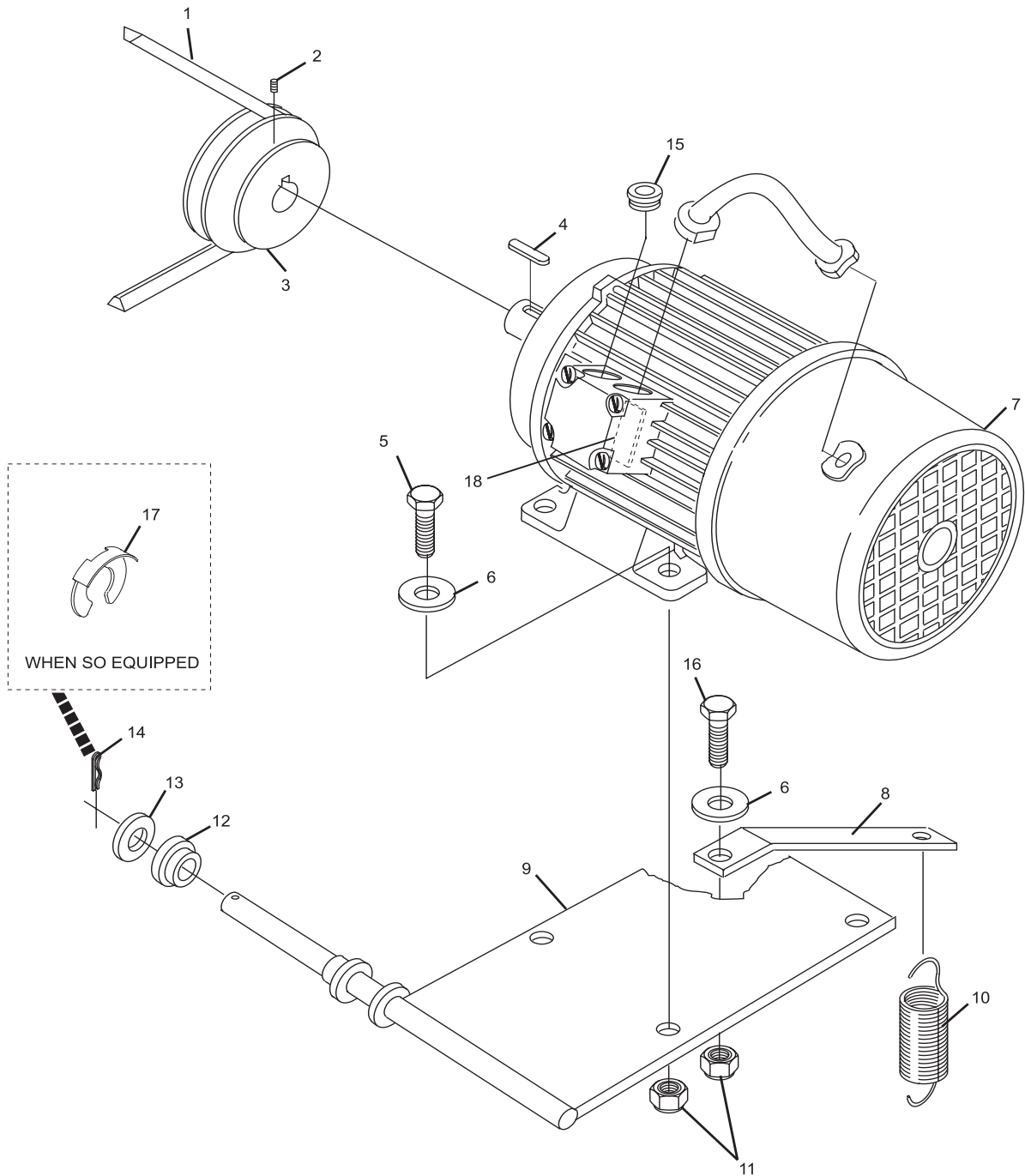
Index No.	Part No.	Description
1.	11-053902-000	V-Belt (10 mm x 6 mm x 1150/1160 mm)
2.	11-053100-000	Set Screw (5 mm x 8 mm)
3.	*47-073866-004	Motor Drive Pulley (dual sheave, 50 or 60 Hz)
4.	11-053501-000	Key (5 mm x 5 mm x 25 mm)
5.	11-051028-001	Hex Hd. Cap Screw (6 mm x 25 mm)
6.	11-052048-001	Flat Washer (6.4 mm x 16 mm x 1.6 mm)
7.	99-040116-002	Stop Motor (1/2 H.P., 230VAC/380VAC)
	99-040294-004	Stop Motor (1/2 H.P., 208VAC)
8.	47-070167-004	Bracket
9.	47-075147-003	Motor Mount Bracket
10.	99-020163-004	Tension Spring
11.	11-051743-001	Locknut (6 mm)
12.	99-010102-004	Bearing
13.	11-052036-001	Flat Washer (15 mm x 24 mm x 2 mm)
14.	11-054301-001	Hitch Pin
15.	11-680925-000	Strain Relief
16.	11-051022-001	Hex Hd. Cap Screw (6 mm x 30 mm)
17.	11-055400-000	Circlip
18.	99-070408-004	Motor PCB
19.	**99-070407-004	New Brake Kit

N.A. = No Longer Available

** Replaces 47-073740-004 and 47-071445-004 Single Sheave Motor Drive Pulleys.*

*** Not Illustrated*

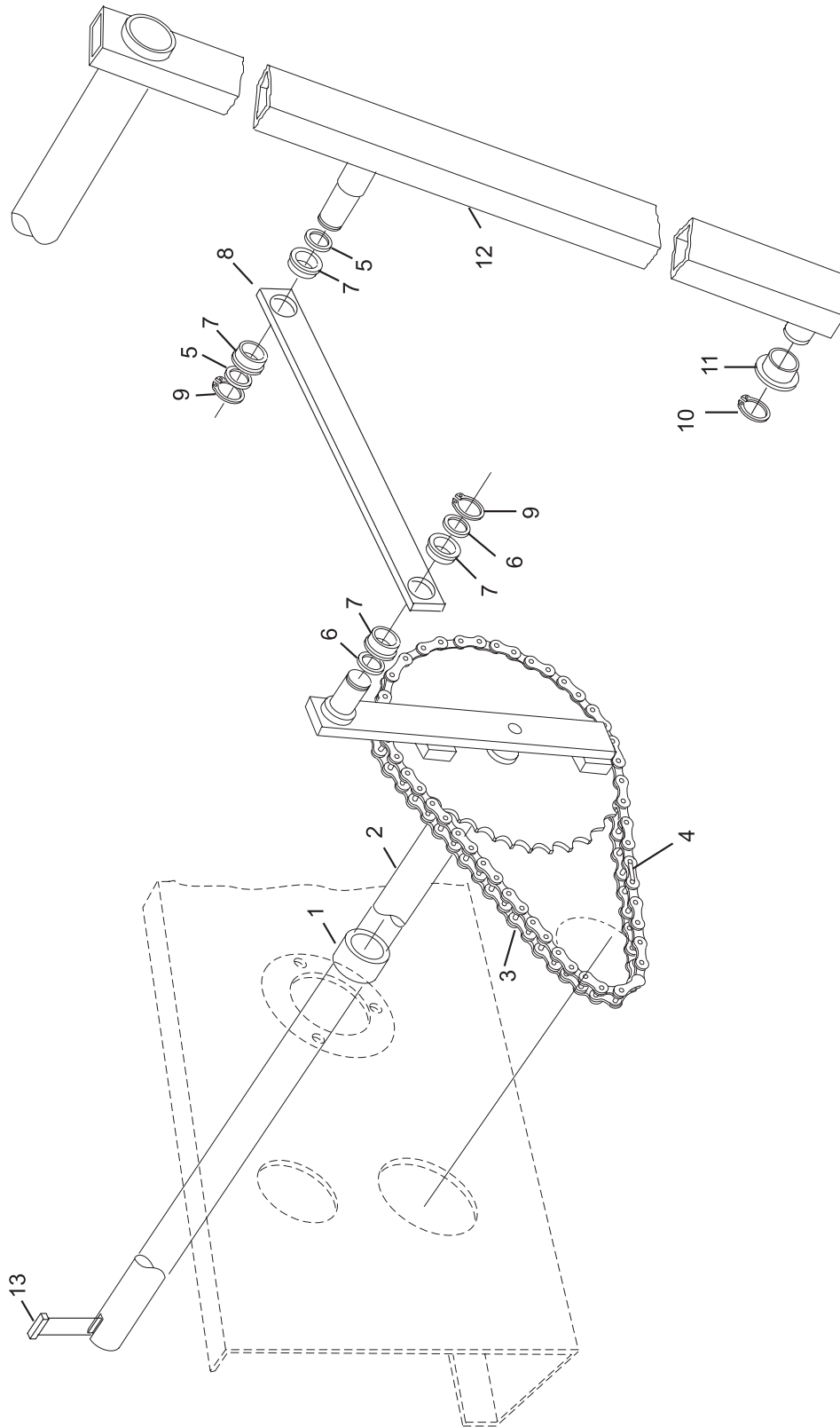
Setting Table Stop Motor and Mount Assembly



Setting Table Stop Motor and Mount Assembly

Index No.	Part No.	Description
1.	47-070171-004	Spacer Bushing (18.5 mm)
2.	47-071219-003	Gear and Shaft
3.	11-601006-000	50 Link Chain
4.	11-600501-000	Connecting Link (3 pieces)
5.	11-052056-001	Flat Washer (21 mm x 33 mm x 2.5 mm)
6.	11-052038-001	Flat Washer (20 mm x 32 mm x .5 mm)
7.	99-010217-004	Bushing
8.	47-045192-004	Flat Connecting Link
9.	11-051853-001	Retaining Ring (20 mm)
10.	11-051869-000	Retaining Ring (15 mm)
11.	99-010103-004	Bushing
12.	47-041530-002	Sweep Shaft
13.	11-053495-000	Key (8 mm x 7 mm x 40 mm)

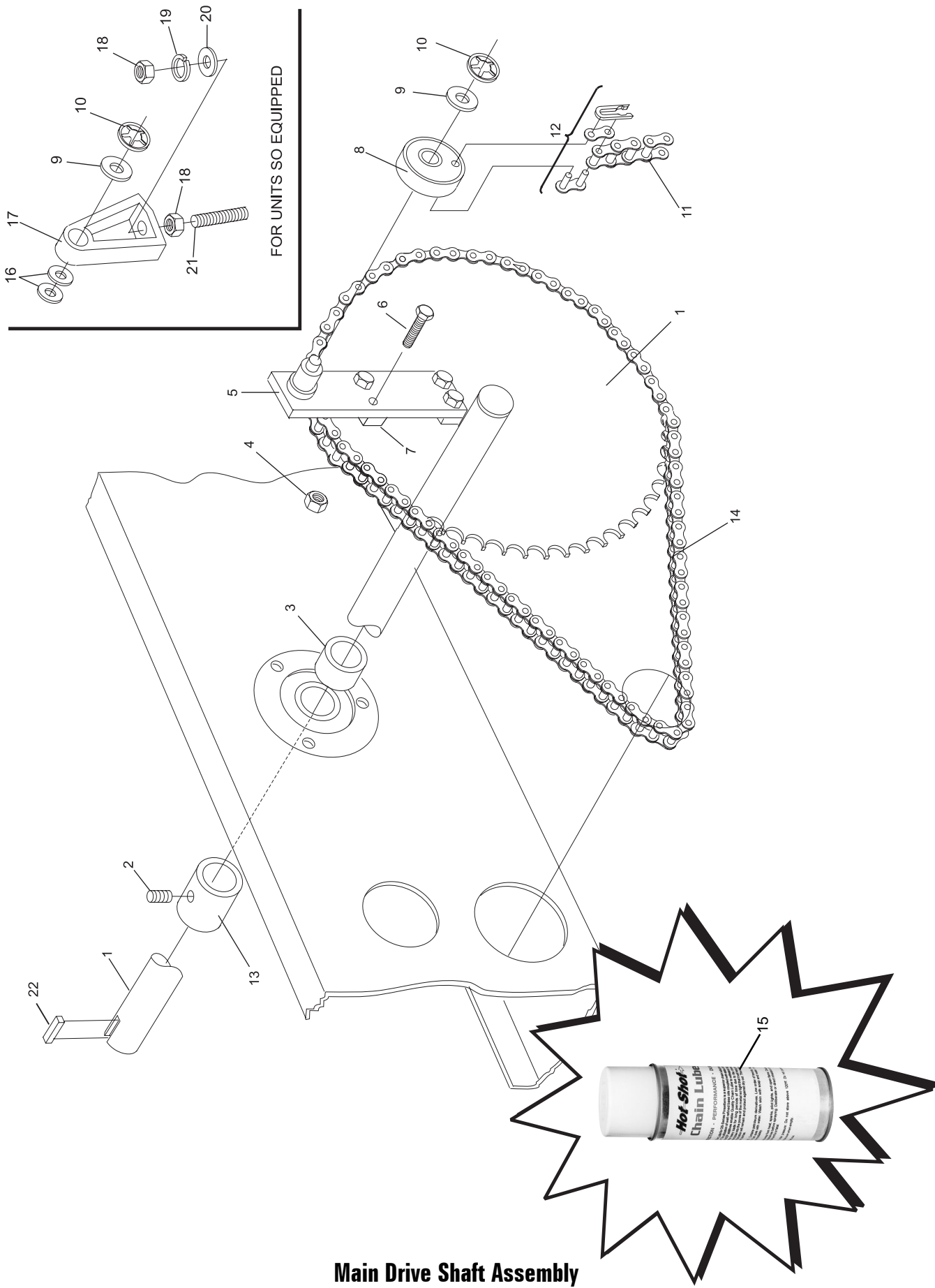
Sweep Drive Assembly



Sweep Drive Assembly

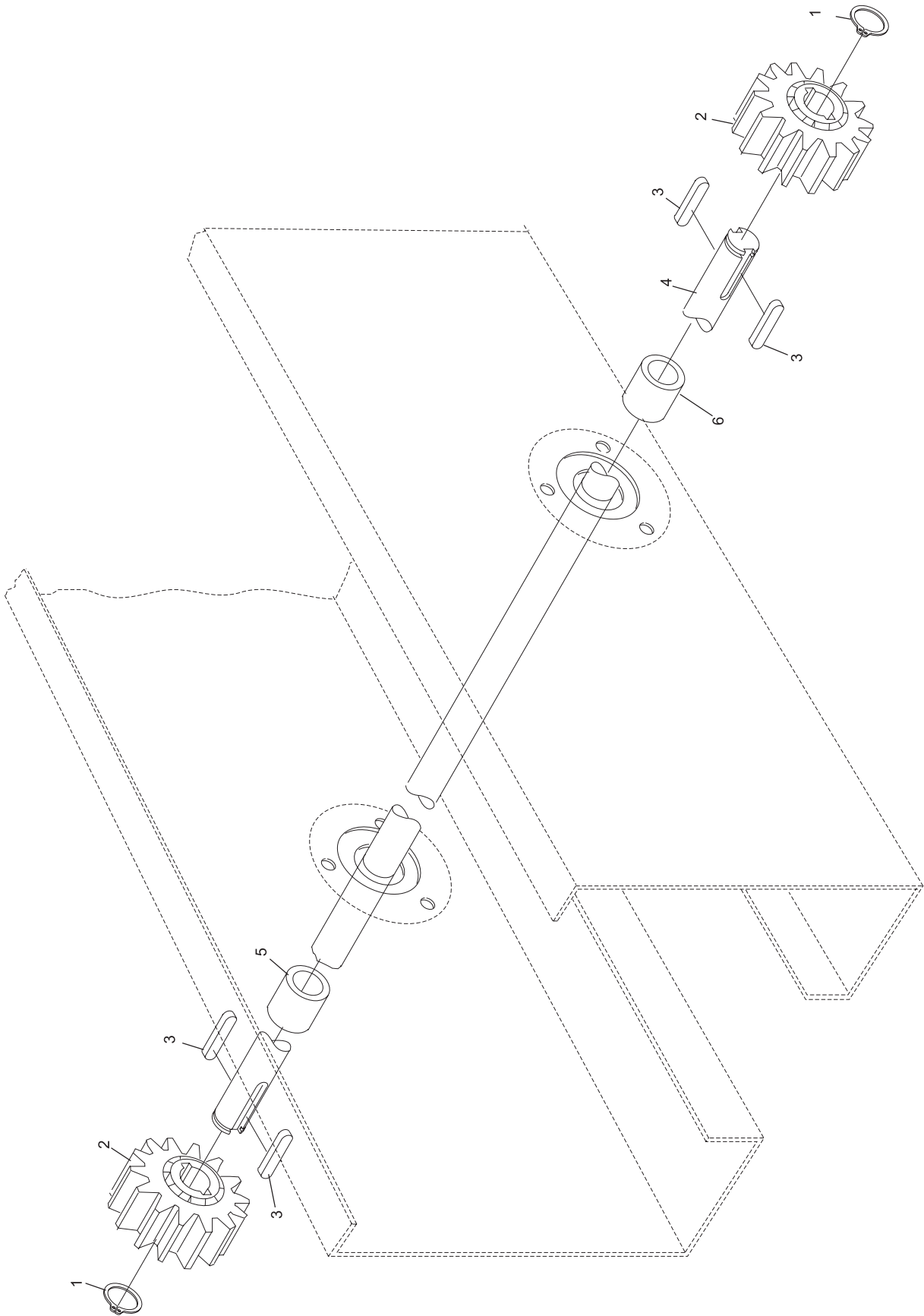
Index No.	Part No.	Description
1.	47-072063-003	Main Drive Shaft/Gear (non tower down)
	47-075485-003	Main Drive Shaft/Gear (tower down)
2.	11-052801-001	Set Screw (6 mm x 6 mm)
3.	47-073508-004	Spacer Bushing
4.	11-053151-001	Hex Hd. Jam Nut (8 mm)
5.	47-072065-004	Shaft Plate
6.	11-051015-001	Hex Hd. Cap Screw (8 mm x 25 mm)
7.	47-072061-004	Spacer Plates
8.	47-075352-004	Pivot Bearing
9.	11-052050-001	Flat Washer (10.5 mm x 30 mm x 2.5 mm)
10.	11-053480-001	Starlock (10 mm)
11.	11-601005-000	5/8" Chain (21 Link)
12.	11-600500-000	Master Link (standard)
13.	47-070172-004	Stop Collar
14.	11-601008-000	5/8" Chain (77 Link)
15.	47862803-000	Chain Lube (spray can)
16.	11-154106-001	Spacer (18 mm x 30 mm x 1 mm)
17.	47-071343-004	Clevis
18.	11-051706-001	Hex Nut (12 mm)
19.	11-051772-001	Lockwasher (12 mm)
20.	11-052047-001	Flatwasher (13 mm x 24 mm x 2.5 mm)
21.	47-071975-004	Threaded Rod
22.	11-053495-000	Key (8 mm x 7 mm x 40 mm)

Main Drive Shaft Assembly



Main Drive Shaft Assembly

Index No.	Part No.	Description
1.	11-051856-001	Retaining Ring (25 mm)
2.	N.A.	Pinion Gear (Plastic)
	47-071449-604	Sintered Iron Pinion Gear
3.	11-053495-000	Key (8 mm x 7 mm x 40 mm)
4.	47-071452-004	Shaft
5.	47-073584-004	Spacer Bushing (61.5 mm, right-hand)
6.	47-071451-004	Spacer Bushing (43.5 mm, left-hand)



Setting Table Pinion Shaft Assembly

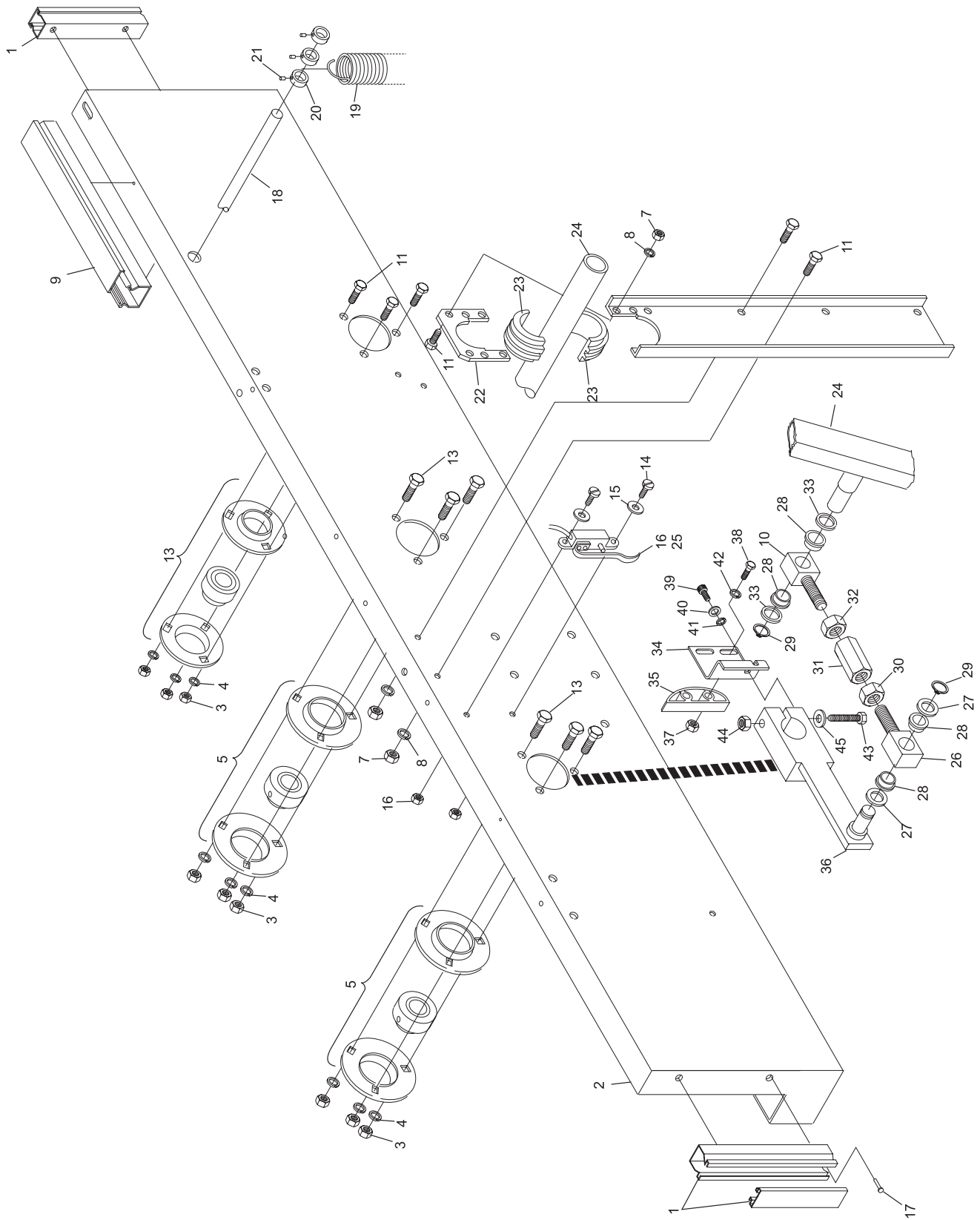
Index No.	Part No.	Description
1.	47-073791-004	Cable Channel (20 mm x 185 mm)
2.	47-071564-001	Gear Train Frame (right-hand)
3.	11-051703-001	Hex Nut (10 mm)
4.	11-051771-001	Lockwasher (10 mm)
5.	11-052902-000	Shaft Bearing
6.	11-052901-000	Shaft Bearing
7.	11-051704-001	Hex Nut (8 mm)
8.	11-051770-001	Lockwasher (8 mm)
9.	47-073797-004	Cable Channel (30 mm x 1800 mm)
10.	47-041215-004	Connecting Rod (left-hand thread)
11.	11-051038-001	Hex Hd. Cap Screw (8 mm x 16 mm)
12.	47-070186-003	Sweep Shaft Support
13.	11-051005-001	Hex Hd. Cap Screw (10 mm x 20 mm)
14.	11-052201-001	Slted. Machine Screw (4 mm x 10 mm)
15.	11-052025-001	Flat Washer (4.3 mm x 9 mm x .8 mm)
16.	99-050229-004	Switch (Red Box)
17.	N.A.	Pop Rivet
18.	47-052123-004	Spring Shaft
19.	47-052120-004	Spring
20.	11-053624-000	Stop Collar (20 mm)
21.	11-052803-001	Set Screw (6 mm x 10 mm)
22.	47-081958-004	Sweep Bearing Holder
23.	47-081959-003	Sweep Shaft Bearing
24.	47-041530-002	Sweep Shaft
25.	47-243026-004	Switch (silver, consolidated and nexgen electronics box)
26.	47-043588-001	Connecting Rod (right-hand thread)
27.	11-052038-001	Flat Washer (20 mm x 32 mm x .5 mm)
28.	99-010217-004	Bushing
29.	11-051853-001	Retaining Ring (20 mm)
30.	11-054201-001	Hex Nut (16 mm, left-hand)
31.	47-040162-004	Turnbuckle Nut
32.	11-051707-001	Hex Nut (16 mm, right-hand)
33.	11-052056-001	Flat Washer (21 mm x 33 mm x 2.5 mm)
34.	*N.A.	Cam Holder
35.	*N.A.	Cam
36.	47-071529-003	Crank
37.	11-051742-001	Locknut (5 mm)
38.	11-051030-001	Hex Hd. Cap Screw (5 mm x 20 mm)
39.	11-051509-001	Socket Hd. Cap Screw (6 mm x 12 mm)
40.	11-051769-001	Lockwasher (6 mm)
41.	11-052048-001	Flat Washer (6.4 mm x 16 mm x 1.6 mm)
42.	11-052020-001	Flat Washer (5.3 mm x 12 mm x 1 mm)
43.	11-051057-001	Hex Hd. Cap Screw (10 mm x 60 mm)
44.	11-051745-001	Locknut (10 mm)
45.	11-052024-001	Flat Washer (13 mm x 30 mm x 1.6 mm)
46.	**47-075132-003	Cam Assemblies

N.A. = No Longer Available

** See index number 46.*

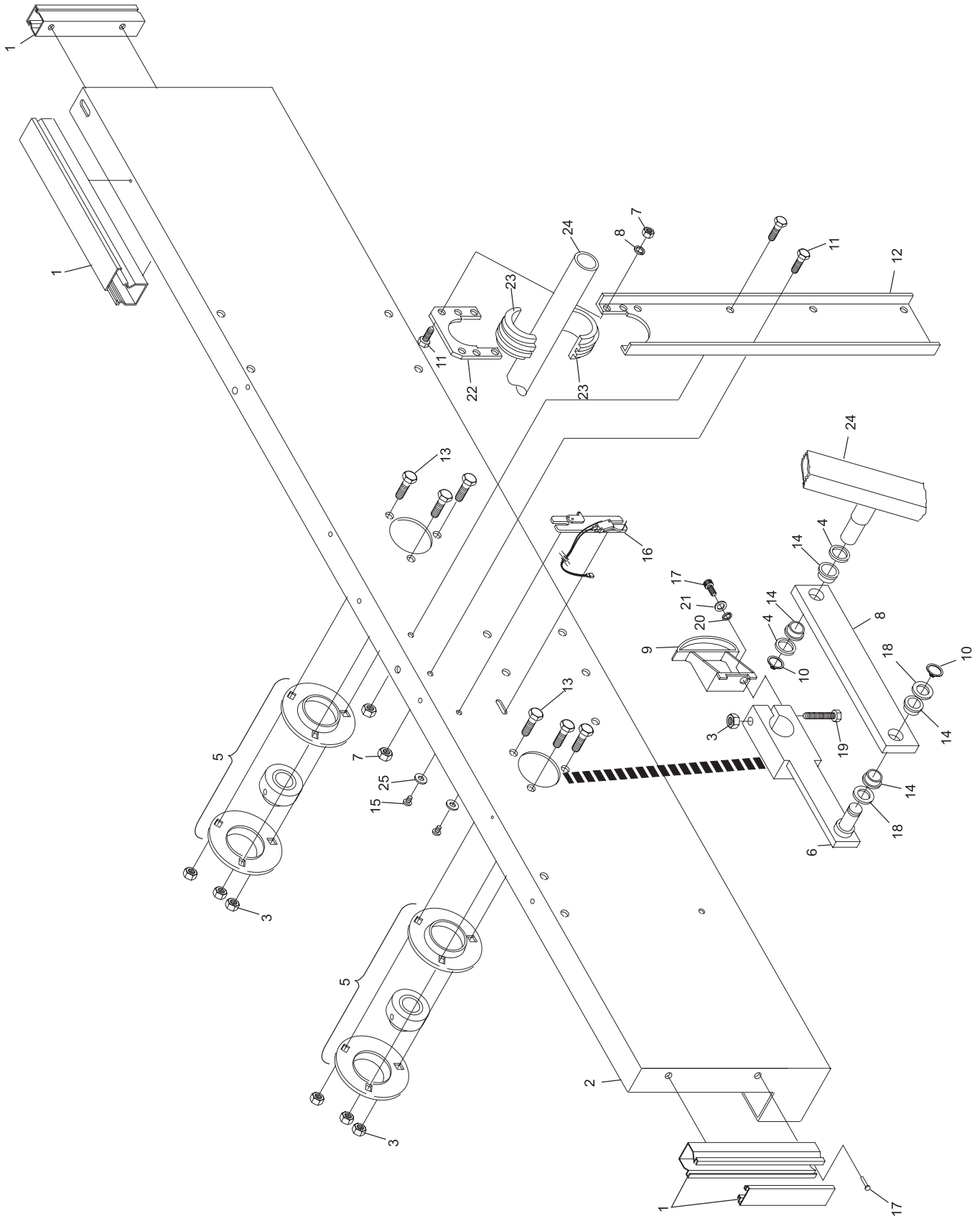
*** Includes index nos. 34, 35, 37, 38, and 42.*

Right Drive Frame Assembly



Right Drive Frame Assembly

Index No.	Part No.	Description
1.	47-084284-004	Cable Channel (1 meter cut to length)
2.	47-075453-001	Gear Train Frame (right-hand)
3.	11-051745-001	Locknut (10 mm)
4.	11-052056-001	Flat Washer (21 mm x 33 mm x 3 mm)
5.	11-052902-000	Shaft Bearing
6.	47-071529-003	Sweep Crank
7.	11-051744-001	Locknut (8 mm)
8.	47-045192-004	Crank
9.	47-075132-003	Cam
10.	11-051853-001	Retaining Ring (20 mm)
11.	11-051010-001	Hex Hd. Cap Screw (8 mm x 20 mm)
12.	47-070186-003	Sweep Shaft Support
13.	11-051005-001	Hex Hd. Cap Screw (10 mm x 20 mm)
14.	99-010107-004	Bushing
15.	11-055151-001	Screw, Plastic
16.	47-243026-004	Switch (consolidated and nexgen electronics box)
17.	11-051509-001	Socket Hd. Cap Screw (6 mm x 12 mm)
18.	11-052038-001	Flat Washer (20 mm x 32 mm x .5 mm)
19.	11-051087-001	Hex Hd. Cap Screw (10 mm x 65 mm)
20.	11-052048-001	Flat Washer (6.4 mm x 16 mm x 1.6 mm)
21.	11-051769-001	Lockwasher (6 mm)
22.	47-081958-004	Sweep Bearing Holder
23.	47-081959-003	Sweep Shaft Bearing
24.	47-045458-002	Sweep Shaft
25.	11-052021-001	Flat Washer (4.3 mm x 12 mm x 1 mm)

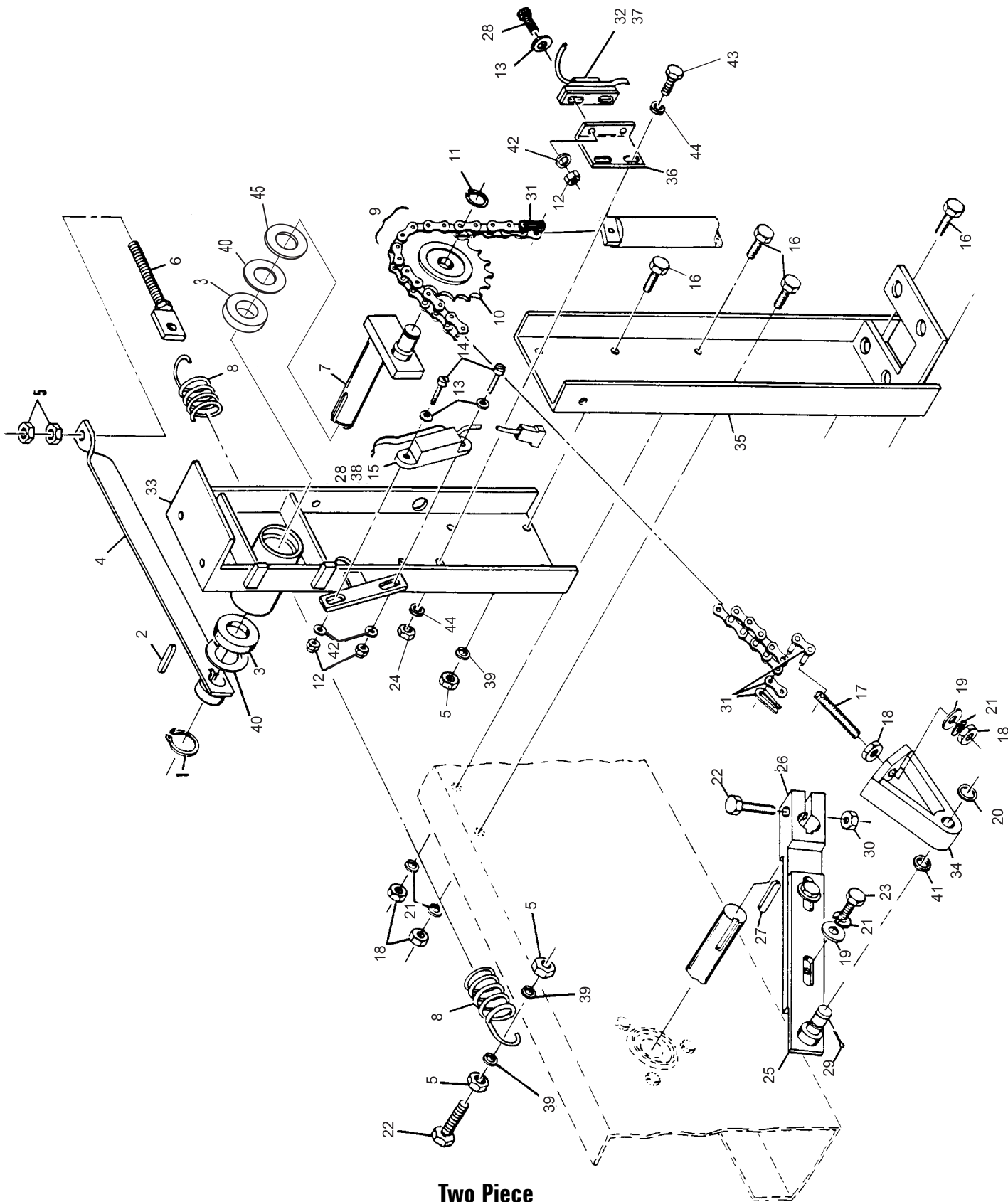


**Right Drive Frame Assembly
(Machine Series 443 and Above)**

Index No.	Part No.	Description
1.	11-051856-001	Retaining Ring
2.	11-053497-000	Key (8 mm x 7 mm x 30 mm)
3.	11-430052-000	Bearing
4.	47-071589-003	Jam Lever
5.	11-051703-001	Hex Nut (10 mm)
6.	47-071593-004	Tension Screw
7.	47-071591-004	Sprocket Shaft
8.	55-050635-004	Spring
9.	11-601007-000	64 Link Chain
10.	47-011053-004	Sprocket
11.	11-051852-001	Retaining Ring (17 mm)
12.	11-051741-001	Locknut (4 mm)
13.	11-052025-001	Flat Washer (4.3 mm x 9 mm x 0.8 mm)
14.	11-052207-001	Slotted Machine Screw (4 mm x 12 mm)
15.	99-050229-004	Switch (Red Box)
16.	11-051005-001	Hex Hd. Cap Screw (10 mm x 20 mm)
17.	47-071975-004	Threaded Connector
18.	11-051706-001	Hex Nut (12 mm)
19.	11-052024-001	Flat Washer (13 mm x 30 mm x 1.6 mm)
20.	11-054106-001	Flat Washer (18 mm x 30 mm x 1.5 mm)
21.	11-051772-001	Lockwasher (12 mm)
22.	11-051057-001	Hex Hd. Cap Screw (10 mm x 60 mm)
23.	11-051009-001	Hex Hd. Cap Screw (12 mm x 30 mm)
24.	11-051742-001	Locknut (5 mm)
25.	47-071341-003	Crank Arm
26.	47-071342-003	Crank
27.	11-053495-000	Key (8 mm x 7 mm x 40 mm)
28.	11-052206-001	Slotted Machine Screw (4 mm x 25 mm)
29.	11-051786-001	Split Pin (2.5 mm x 25 mm)
30.	11-051745-001	Locknut (10 mm)
31.	11-600500-000	Master Link Assembly (3 Pieces)
32.	99-050230-004	Switch (Red Box)
33.	47-072360-002	Guide Beam (Upper)
34.	47-071343-004	Clevice
35.	47-072361-003	Guide Beam (Lower)
36.	47-072362-004	Support Bracket
37.	47-243027-004	Switch (silver and consolidated electronics box)
38.	47-243026-004	Switch (silver and consolidated electronics box)
39.	11-051771-001	Lockwasher (10 mm)
40.	*11-054102-001	Shim (25 mm x 36 mm x 3 mm)
41.	11-052009-001	Flat Washer (17 mm x 27 mm x 2 mm)
42.	11-052021-001	Flat Washer (4.3 mm x 12 mm x 1 mm)
43.	11-051003-001	Hex Hd. Cap Screw (5 mm x 16 mm)
44.	11-052020-001	Flat Washer (5.3 mm x 12 mm x 0.8 mm)
45.	47-071595-004	Spacer Disc

* Shim as required.

Two Piece Guide Tower Assembly



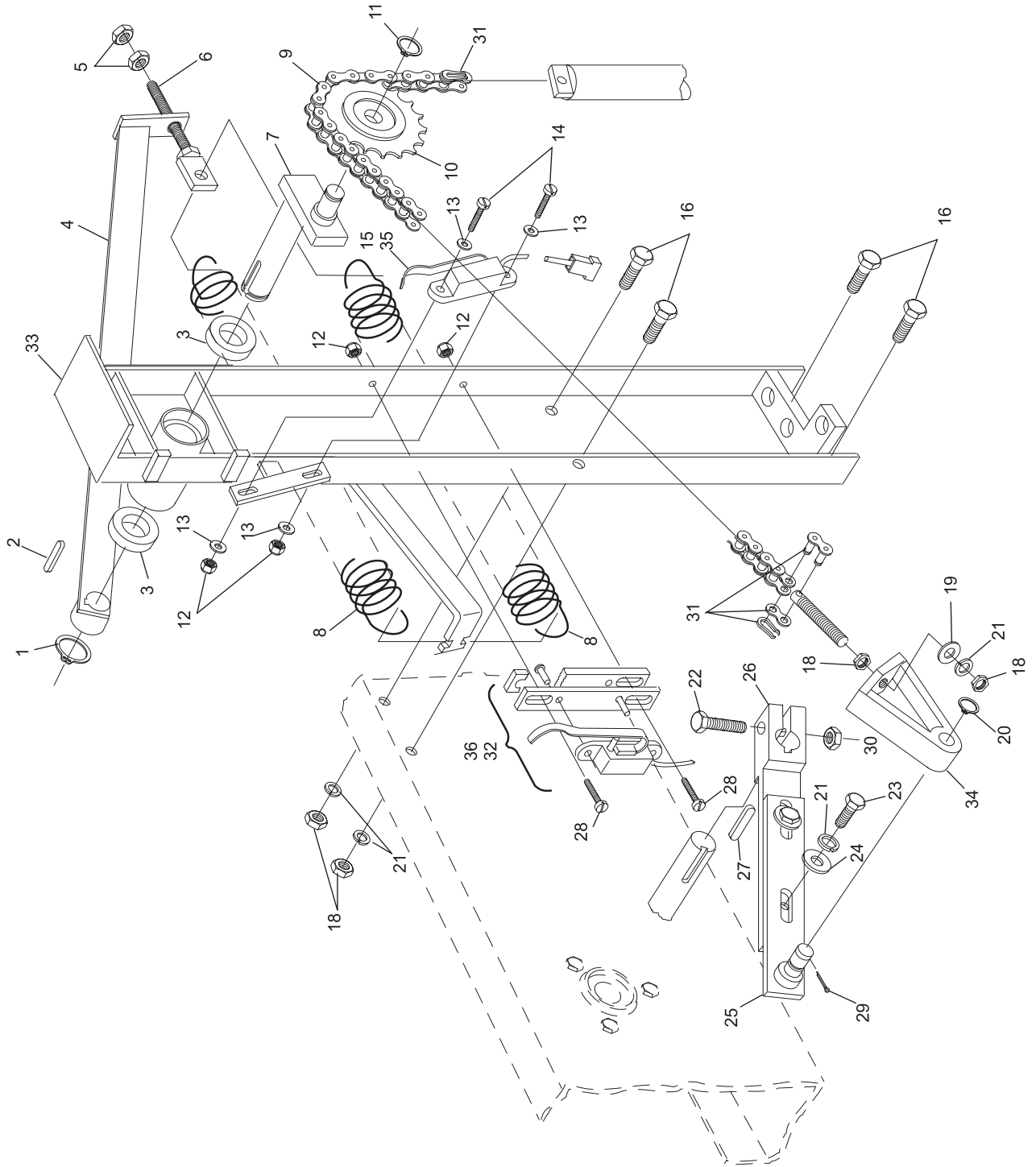
**Two Piece
Guide Tower Assembly**

Index No.	Part No.	Description
1.	11-051856-001	Retaining Ring (25 mm)
2.	11-053497-000	Key (8 mm x 7 mm x 32 mm)
3.	11-430052-000	Bearing
4.	47-071589-003	Jam Lever
5.	11-051703-001	Hex Nut (10 mm)
6.	N.A.	Tension Screw
7.	47-071591-004	Sprocket Shaft
8.	55-050635-004	Spring
9.	11-601007-000	64 Link Chain
10.	47-011053-004	Sprocket
11.	11-051852-001	Retaining Ring (17 mm)
12.	11-051741-001	Locknut (4 mm)
13.	11-052025-001	Flat Washer (4.3 mm x 9 mm x .8 mm)
14.	11-052207-001	Slotted Machine Screw (4 mm x 12 mm)
15.	99-050229-004	Switch (red box)
16.	11-051005-001	Hex Hd. Cap Screw (10 mm x 20 mm)
17.	47-071975-004	Threaded Connector
18.	11-051706-001	Hex Nut (12 mm)
19.	11-052024-001	Flat Washer (13 mm x 30 mm x 1.6 mm)
20.	11-052052-001	Flat Washer (18 mm x 30 mm x 3 mm)
21.	11-051772-001	Lockwasher (12 mm)
22.	11-051057-001	Hex Hd. Cap Screw (10 mm x 60 mm)
23.	11-051009-001	Hex Hd. Cap Screw (12 mm x 30 mm)
24.	11-052053-001	Flat Washer (17 mm x 30 mm x 1.6 mm)
25.	47-071341-003	Crank Arm
26.	47-071342-003	Crank
27.	11-053495-000	Key (8 mm x 7 mm x 40 mm)
28.	11-052206-001	Slotted Machine Screw (4 mm x 25 mm)
29.	11-051786-001	Split Pin (2.5 mm x 25 mm)
30.	11-051745-001	Locknut (10 mm)
31.	11-600500-000	Master Link (3 pieces)
32.	99-050230-004	Switch (red box)
33.	*N.A.	Guide Beam
34.	47-071343-004	Clevice
35.	47-243026-004	Switch (silver and consolidated electronics box)
36.	47-243027-004	Switch (silver and consolidated electronics box)

N.A. = No Longer Available

** Order two piece guide beam on page 28G to replace single piece guide beam.*

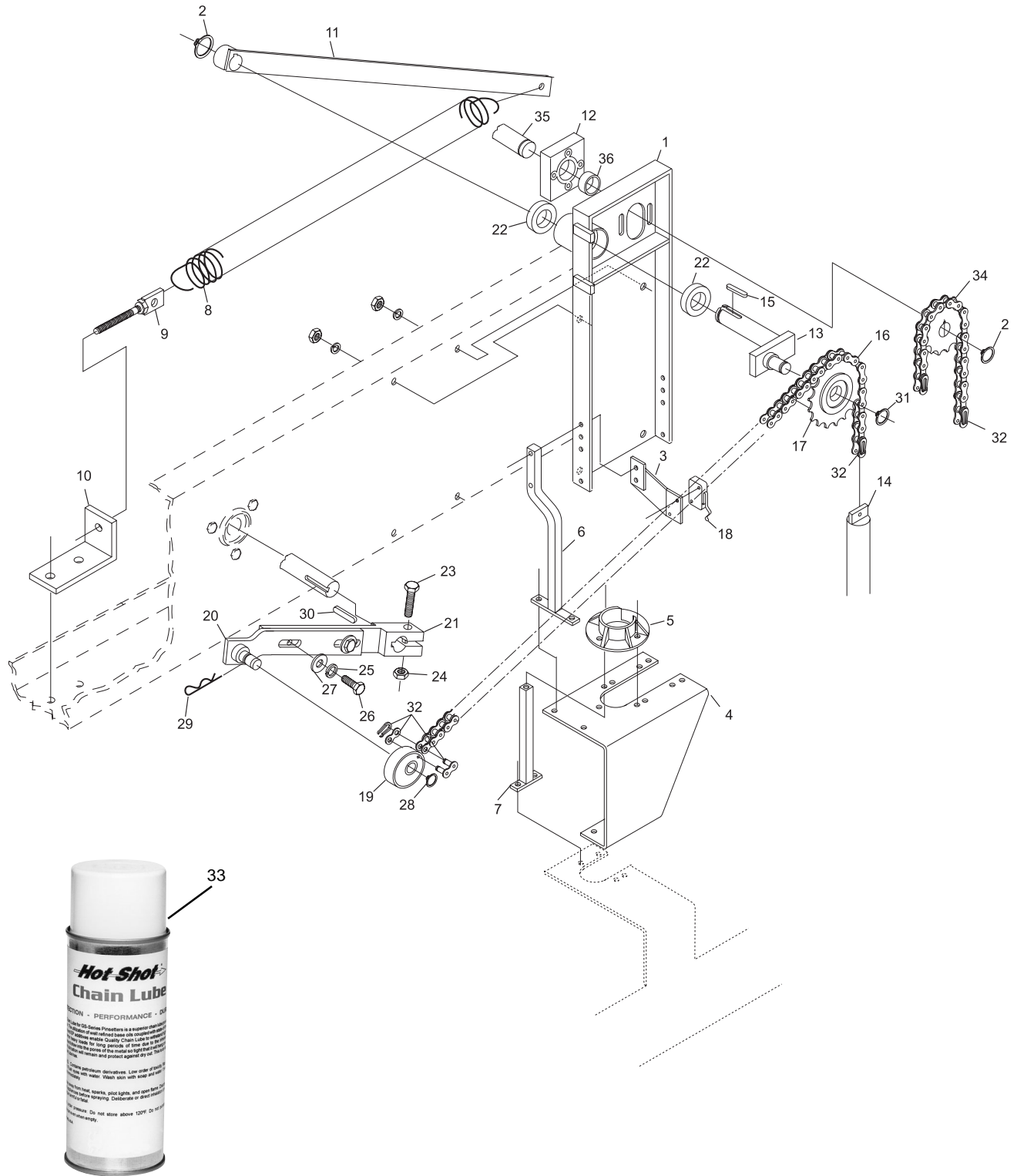
One Piece Guide Tower Assembly



**One Piece
Guide Tower Assembly**

Index No.	Part No.	Description
1.	47-075482-002	Guide Beam
2.	11-051856-001	Retaining Ring (25 mm)
3.	47-075473-003	Switch Support
4.	47-085436-003	Guide Support Bracket - right-hand
	47-085430-003	Guide Support Bracket - left-hand
5.	47-085349-003	Tube Guide
6.	47-085449-003	Support Rod
7.	47-085446-003	Support
8.	55-050635-004	Tension Spring
9.	47-074717-004	Adjustment Screw
10.	47-075432-004	Spring Bracket
11.	47-075475-004	Lever
12.	47-085348-003	Bearing Housing
13.	47-071591-004	Sprocket Shaft
14.	47-070386-004	Counter Weight
15.	11-053507-000	Key (8 mm x 7 mm x 30 mm)
16.	47-075488-004	5/8" Chain (51 links and 2 connection links)
17.	47-011053-004	Sprocket
18.	47-243028-004	Switch (consolidated and nexgen electronics box)
19.	47-075352-004	Pivot Bearing
20.	47-075357-003	Crank Arm
21.	47-075356-003	Crank
22.	11-430052-000	Bearing
23.	11-051070-001	Hex Head Cap Screw (12 mm x 60 mm)
24.	11-051747-001	Locknut (12 mm)
25.	11-051772-001	Lockwasher (12 mm)
26.	11-051062-001	Hex Head Cap Screw (12 mm x 25 mm)
27.	11-052024-001	Flat Washer (13 mm x 30 mm x 1.6 mm)
28.	11-054106-001	Flat Washer (18 mm x 30 mm x 1 mm)
29.	11-054300-001	Cotter Pin (2 mm)
30.	11-053493-000	Key (8 mm x 7 mm x 45 mm)
31.	11-051852-000	Retaining Ring (17 mm)
32.	11-600500-000	Master Link (3-piece)
33.	47-862803-000	Chain Lube (spray can)
34.	47-075486-004	Chain
35.	47-075476-004	Shaft
36.	11-430051-000	Bearing

**Guide Tower Assembly
(Machine Series 443 and Above)**

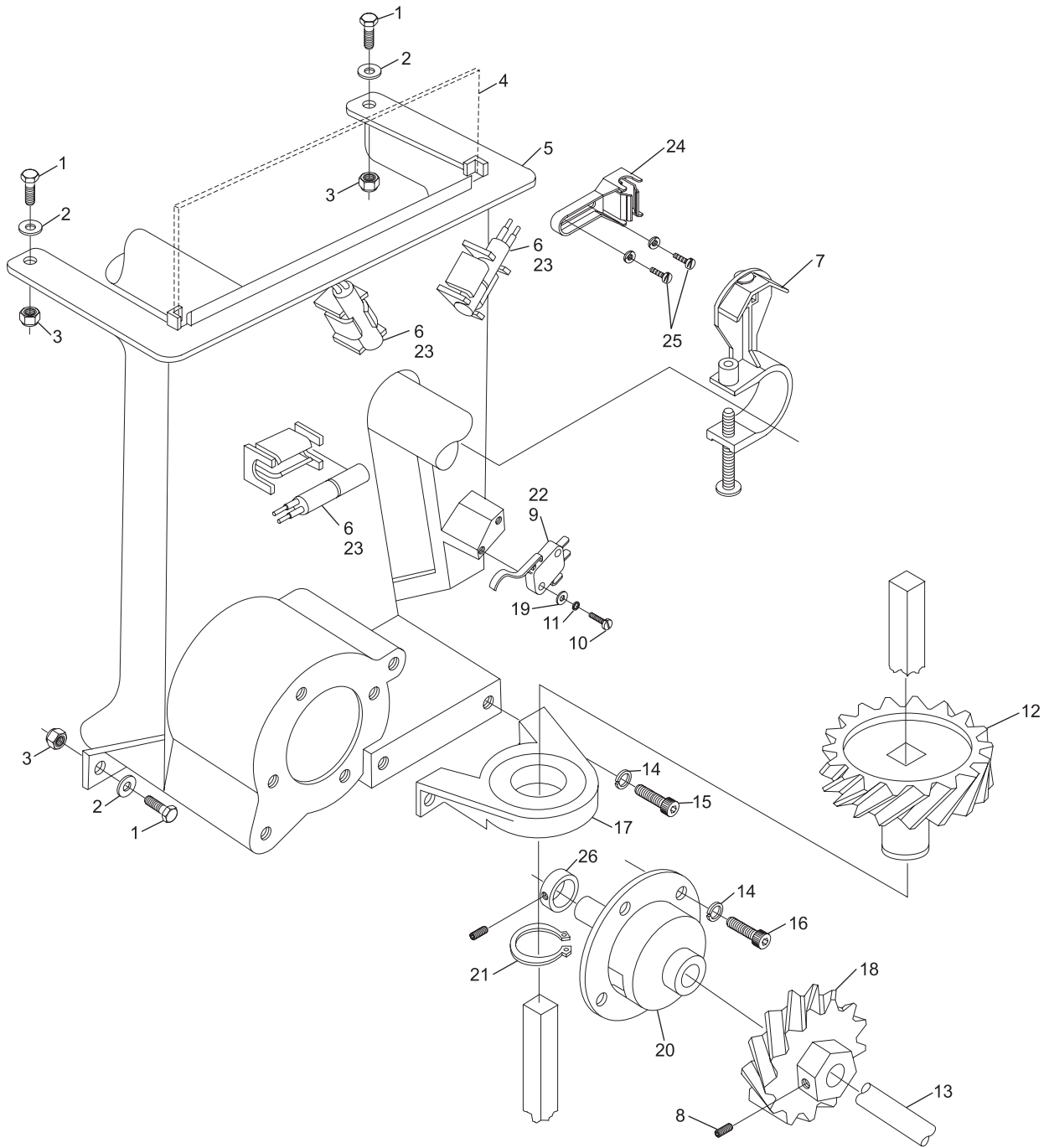


**Guide Tower Assembly
(Machine Series 443 and Above)**

Index No.	Part No.	Description
1.	11-051035-001	Hex Hd. Cap Screw (6 mm x 16 mm)
2.	11-052048-001	Flat Washer (6.4 mm x 16 mm x 1.6 mm)
3.	11-051743-001	Locknut (6 mm)
4.	47-210446-000	PCB #11 (GS-10)
5.	47-075188-001	Switch Cluster Frame (Fixed B-Switch)
	47-071876-001	Switch Cluster Frame (Adjustable B-Switch)
6.	47-072307-004	Reed Switch (red box electronics)
7.	47-071879-003	Cam
8.	11-052804-001	Set Screw (6 mm x 8 mm)
9.	47-073534-004	Cherry Switch (red box electronics)
10.	11-052204-001	Slt. Machine Screw (2.5 mm x 16 mm)
11.	11-051766-001	Lockwasher (2.5 mm)
12.	47-071881-004	Square Shaft Drive Gear
13.	47-071883-004	Clutch Shaft
14.	11-051769-001	Lockwasher (6 mm)
15.	11-051514-001	Socket Hd. Cap Screw (6 mm x 16 mm)
16.	11-051509-001	Socket Hd. Cap Screw (6 mm x 12 mm)
17.	47-071578-004	Bearing Block
18.	47-071880-004	Gear
19.	11-052049-001	Flat Washer (2.7 mm x 6.5 mm x .5 mm)
20.	47-071878-003	Spindle Flange
21.	11-051856-001	Retaining Ring (25 mm)
22.	47-243028-004	Cherry Switch (silver, consolidated and nexgen electronics box)
23.	47-243029-004	Reed Switch (silver, consolidated and nexgen electronics box)
24.	99-050181-004	Reed Switch Holder
25.	11-052354-001	Slt. Pan Hd. Screw (4 mm x 12 mm)
26.	11-053623-001	Stop Collar

N.A.= No Longer Available

Switch Cluster



Switch Cluster

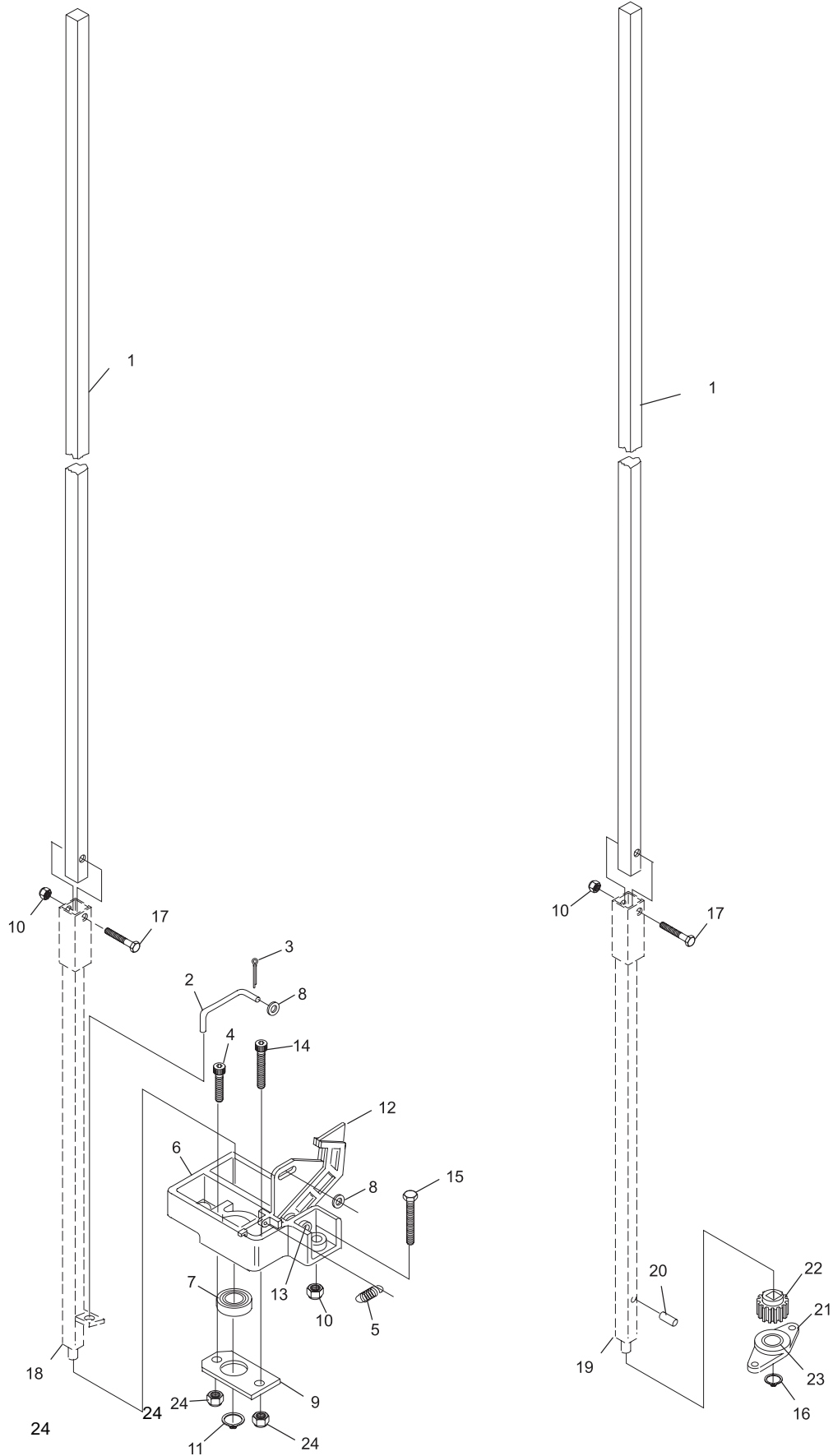
Index No.	Part No.	Description
1.	*47-072340-004	Square Shaft
	47-055124-004	Telescoping Shaft (16 mm bottom)
	47-055125-004	Telescoping Shaft (12 mm top)
2.	47-055138-004	Connecting Link
3.	11-051795-001	Split Pin (1.6 mm x 16 mm)
4.	11-051522-001	Socket Hd. Cap Screw (5 mm x 16 mm)
5.	47-051782-004	Tension Spring
6.	47-051621-003	Base
7.	11-430046-000	Bearing
8.	11-052025-001	Flat Washer (4.3 mm x 9 mm x .8 mm)
9.	47-051622-004	Bearing Plate
	47-055605-004	Bearing Plate (series 446 and above)
10.	11-051743-001	Locknut (6 mm)
11.	11-051854-001	Retaining Ring (8 mm)
12.	47-051674-004	Latch
13.	11-054001-000	Dowel Pin (8 mm x 24 mm)
14.	11-051514-001	Socket Hd. Cap Screw (5 mm x 25 mm)
15.	11-051024-001	Hex Hd. Cap Screw (6 mm x 70 mm)
16.	11-051855-001	Retaining Ring (10 mm)
17.	11-051028-001	Hex Hd. Cap Screw (6 mm x 25 mm)
18.	47-052337-004	Square Shaft Bracket (left-hand)
	**47-055127-004	Telescoping Shaft Bracket (left-hand)
19.	47-052334-004	Spotting Tong Square Shaft Bracket
	**47-055126-004	Spotting Tong Telescoping Shaft Bracket
20.	11-052680-001	Roll Pin (2 mm x 18 mm)
21.	11-430048-000	Bearing
22.	47-071615-004	Square Shaft Gear
23.	47-051625-004	Square Shaft Support
24.	11-051742-001	Nut (5 mm)

* Replaces one piece square shaft.

** Order 2 each of the following items to assemble the telescoping brackets/shafts:

11-051004-001 Hex Hd. Cap Screw (5 mm x 25 mm)
11-051030-001 Hex Hd. Cap Screw (5 mm x 20 mm)
11-051747-001 Self Locking Nut

Square Shaft Assemblies



Square Shaft Assemblies