

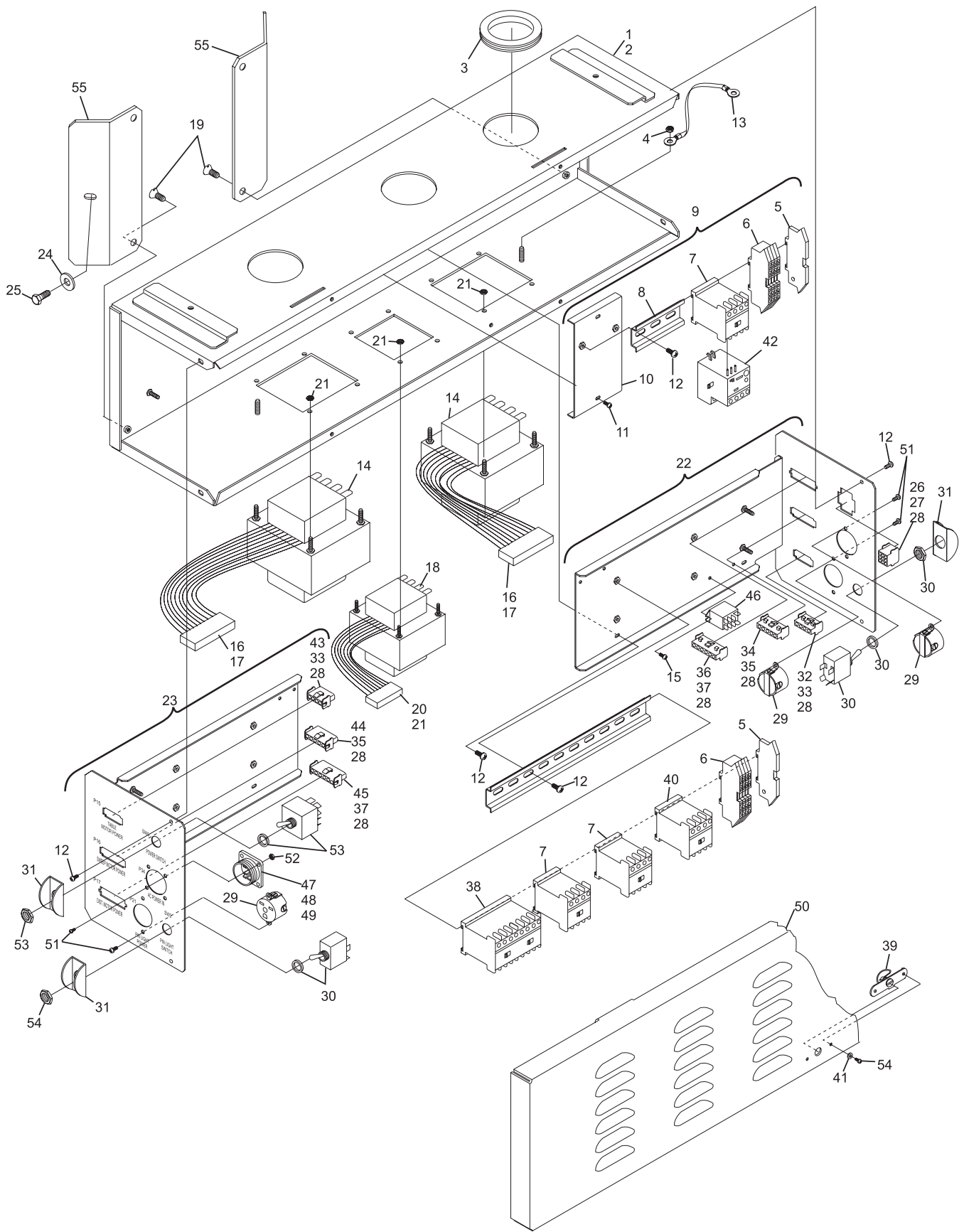
Section M

**GS CONSOLIDATED ELECTRONICS
and
GS NEXGEN ELECTRONICS**

Index No.	Part No.	Description
1.	47-862841-000	GS Consolidated Electronics High Voltage Box Assembly (includes Mount and Mounting Hardware)
2.	N.A.	Enclosure
3.	11-651024-000	Grommet
4.	11-170005-001	Hex Nut (#10-24)
5.	11-615760-000	End Cap
6.	11-615759-000	Connector
7.	11-671513-000	Contactora - (24V)
8.	47-142599-000	Mounting Rail (short)
9.	47-862838-000	Ball Accelerator Contactora Mounting Plate Assembly
10.	47-142601-000	Relay Mounting Plate
11.	11-012060-001	Pan Head C.R. Screw with Lockwasher (#8-32 x 1/2")
12.	11-012057-001	Pan Head C.R. Screw with Lockwasher (#8-32 x 5-16")
13.	68-100481-000	Ground Cable Assembly
14.	47-142564-000	Transformer Assembly
15.	11-012271-001	Pan Head C.R. Screw (#6-32 x 5/16")
16.	11-697214-000	Connector
17.	11-680322-000	Terminal
18.	47-142605-000	Transformer Assembly
19.	11-014144-001	Flat Head Slotted Screw (1/4-20 x 1/2")
20.	11-697208-000	Connector
21.	11-125003-001	Hex Nut (#8-32)
22.	47-862839-000	Relay Mounting Plate Assembly (right-hand)
23.	47-862840-000	Relay Mounting Plate Assembly (left-hand)
24.	11-191012-001	Washer, Plain
25.	11-001176-001	Hex Head Cap Screw (1/4-20 x 3/8")
26.	*47-142585-000	Ball Accelerator Motor Power Cable Assembly
27.	11-696715-000	Connector
28.	11-696737-000	Terminal
29.	11-686128-000	Receptacle Outlet
30.	11-615515-000	Toggle Switch
31.	47-142594-000	Switch Guard
32.	*47-142586-000	Table Motor Power Cable Assembly
33.	11-696714-000	Connector
34.	*47-142587-000	Sweep Motor Power Cable Assembly
35.	11-696716-000	Connector
36.	*47-142588-000	Elevator Motor Power Cable Assembly
	*47-862735-000	Elevator Motor Power Cable Assembly (for use with Adapter 68-100453-000)
37.	11-696717-000	Connector
38.	11-671011-000	Contactora (24V)
39.	57-214276-007	Spring Latch Assembly
40.	11-671514-000	Contactora (12V)
41.	11-199000-001	Lockwasher
42.	11-671001-000	Relay (1.6 - 2.5 Amp)
43.	*47-142591-000	Table Motor Power Cable Assembly
44.	*47-142592-000	Sweep Motor Power Cable Assembly
45.	*47-142606-000	Elevator Motor Power Cable Assembly
46.	11-696622-000	Relay
47.	*47-172916-000	AC Input Cable Assembly
48.	11-703531-000	Connector
49.	11-612578-000	Terminal
50.	47-142556-000	Cover
51.	11-012274-001	Pan Head C.R. Machine Screw (#6-32 x 1/2")
52.	11-176005-001	Keys Nut
53.	11-615510-000	Toggle Switch
54.	11-012251-001	Pan Head C.R. Screw with Lockwasher (#4-40 x 3-16")
55.	47-142600-000	Mounting Bracket

* Not Illustrated

GS Consolidated Electronics High Voltage Box Assembly

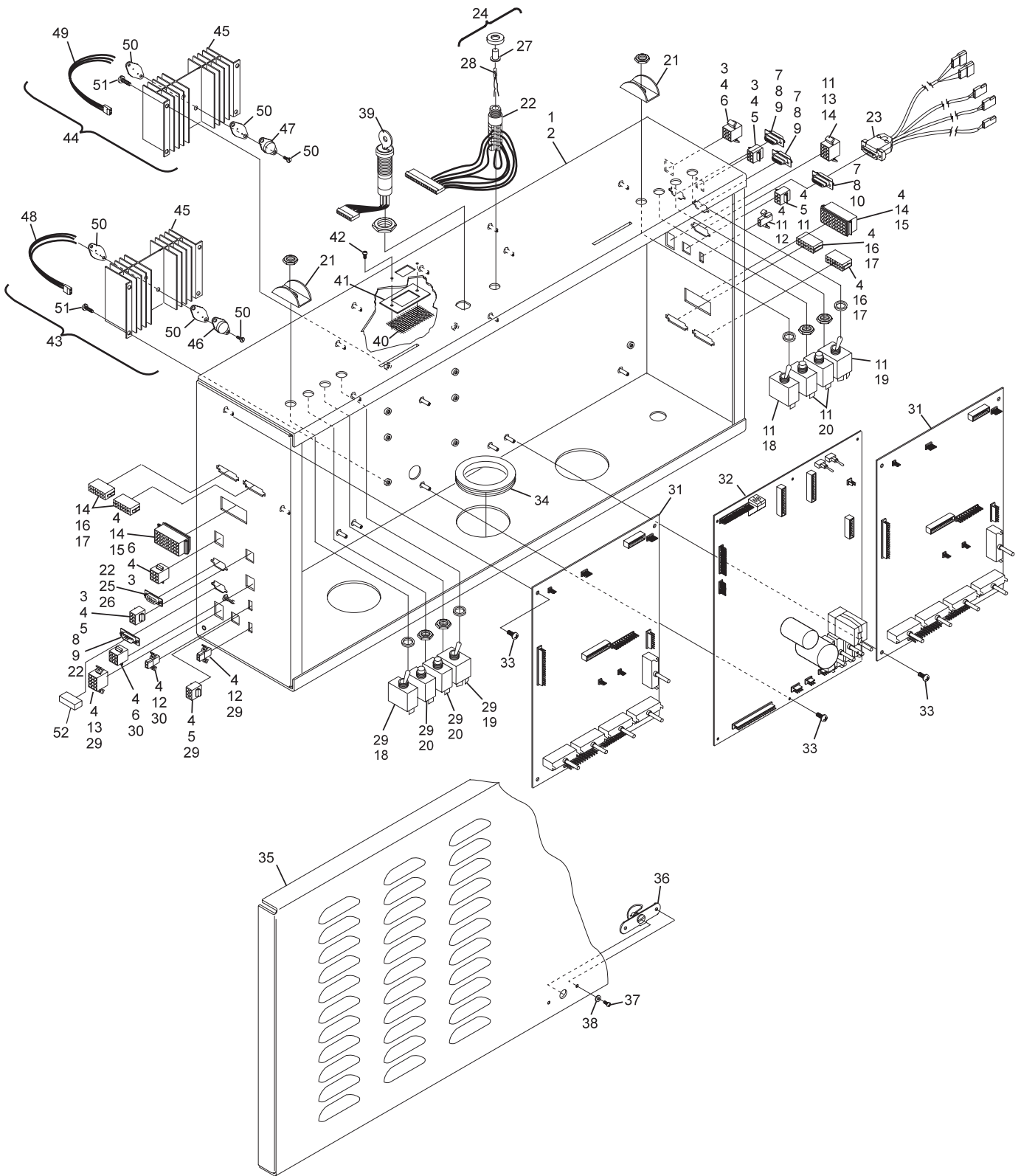


GS Consolidated Electronics High Voltage Box Assembly

Index No.	Part No.	Description
1.	47-862821-400	GS Consolidated Electronics Low Voltage Control Box (includes Isolation Mount and Mounting Hardware)
	47-862926-400	GS-X Consolidated Electronics Low Voltage Control Box (includes Isolation Mount and Mounting Hardware)
2.	N.A.	Enclosure
3.	*47-142571-000	Masking Unit and Micro Processor Interface Cable Assembly
4.	11-680301-000	Terminal
5.	11-680207-000	Connector
6.	N.A.	Connector
7.	*47-142568-000	Low Voltage Interface Cable Assembly
8.	11-680983-000	Terminal
9.	11-680995-000	Connector
10.	11-680954-000	Connector
11.	*47-142602-000	Right Lane Various Functions Cable Assembly
12.	11-680220-000	Connector
13.	11-680208-000	Connector
14.	N.A.	Solenoid and Switches Cable Assembly
15.	11-680221-000	Connector
16.	11-692325-000	Connector
17.	11-692090-000	Terminal
18.	11-615511-000	Toggle Switch
19.	11-615515-000	Toggle Switch
20.	11-615013-000	Push Button
21.	47-142594-000	Switch Guard
22.	*N.A.	Comline Switch Cable Assembly
23.	47-142619-000	Optical Trigger Foul Control Cable Assembly
24.	11-615021-000	Switch with LED
25.	N.A.	Connector
26.	11-680981-000	Terminal
27.	11-615022-000	Lens
28.	11-680802-000	LED
29.	*47-142572-000	Right and Left Lane Various Functions Cable Assembly
30.	*47-142567-000	High Voltage Output Cable Assembly
31.	47-862823-000	I/O PCB
32.	47-862822-400	CPU PCB (pre-GS-X)
	47-862925-400	CPU PCB (GS-X)
33.	11-012274-001	Pan Head C.R. Machine Screw (#6-32 x 1/2")
34.	11-651024-000	Grommet
35.	47-142595-000	Cover
36.	57-214276-007	Fastener
37.	11-012251-001	Pan Head C.R. Machine Screw (#4-40 x 3/16")
38.	11-199000-001	Lockwasher (#4)
39.	47-862503-000	Keypad Assembly
40.	N.A.	Screen
41.	68-100663-000	Screen Retainer
42.	11-012003-001	Pan Head C.R. Machine Screw with Lockwasher (#4-40)
43.	N.A.	Voltage Regulator (VR2)
44.	N.A.	Voltage Regulator (VR1)
45.	11-698421-000	Heat Sink
46.	11-696878-000	Adjustable Voltage Regulator (+12V)
47.	11-696876-000	Voltage Regulator (+12V)r
48.	47-142566-001	Cable Assembly (9")
49.	47-142565-001	Cable Asssembly (13")
50.	11-698441-000	Mounting Kit
51.	11-052057-001	Pan Head C.R. Screw with Lockwasher
52.	57-861589-000	Comline Terminator

* Not Illustrated

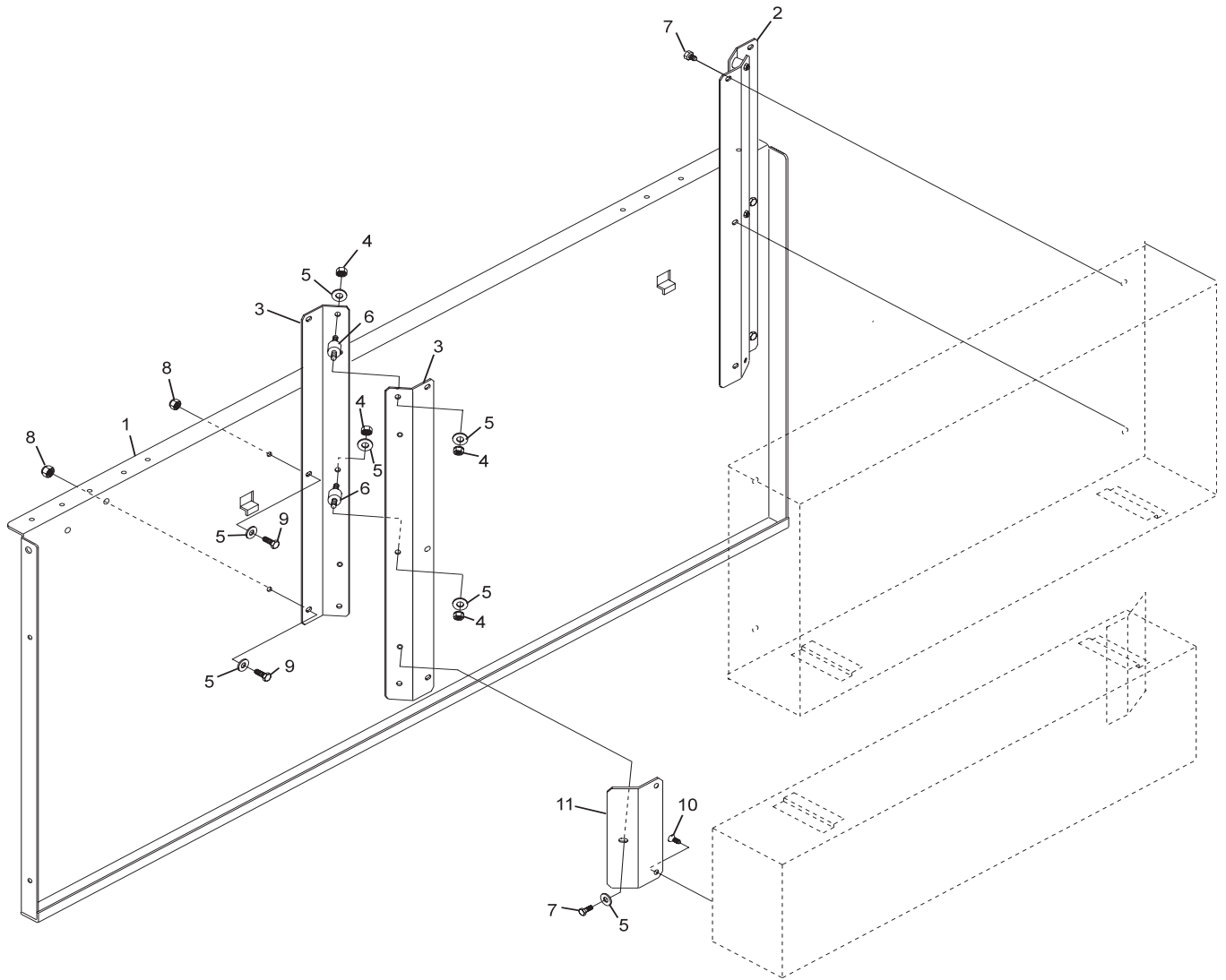
GS Consolidated Electronics Low Voltage Box Assembly



GS Consolidated Electronics Low Voltage Box Assembly

Index No.	Part No.	Description
1.	47-080201-001	Front Frame Support
2.	47-142613-000	Isolation Mount Assembly (shipped as right-hand reconfigure for left-hand isolation Mount Assembly use)
3.	N.A.	Mounting Bracket
4.	11-176001-001	Keeps Nut (5/16")
5.	11-191012-001	Plain Washer (5/16")
6.	11-603025-000	Vibration Mount
7.	11-001176-001	Hex Machine Screw (1/4-20 x 3/8")
8.	11-050901-001	Locknut (M8)
9.	11-051010-001	Hex Head Cap Screw (M8 x 20)
10.	11-014144-001	Flat Head Screw (1/4-20 x 1/2")
11.	47-142600-000	Mounting Bracket (high voltage box)

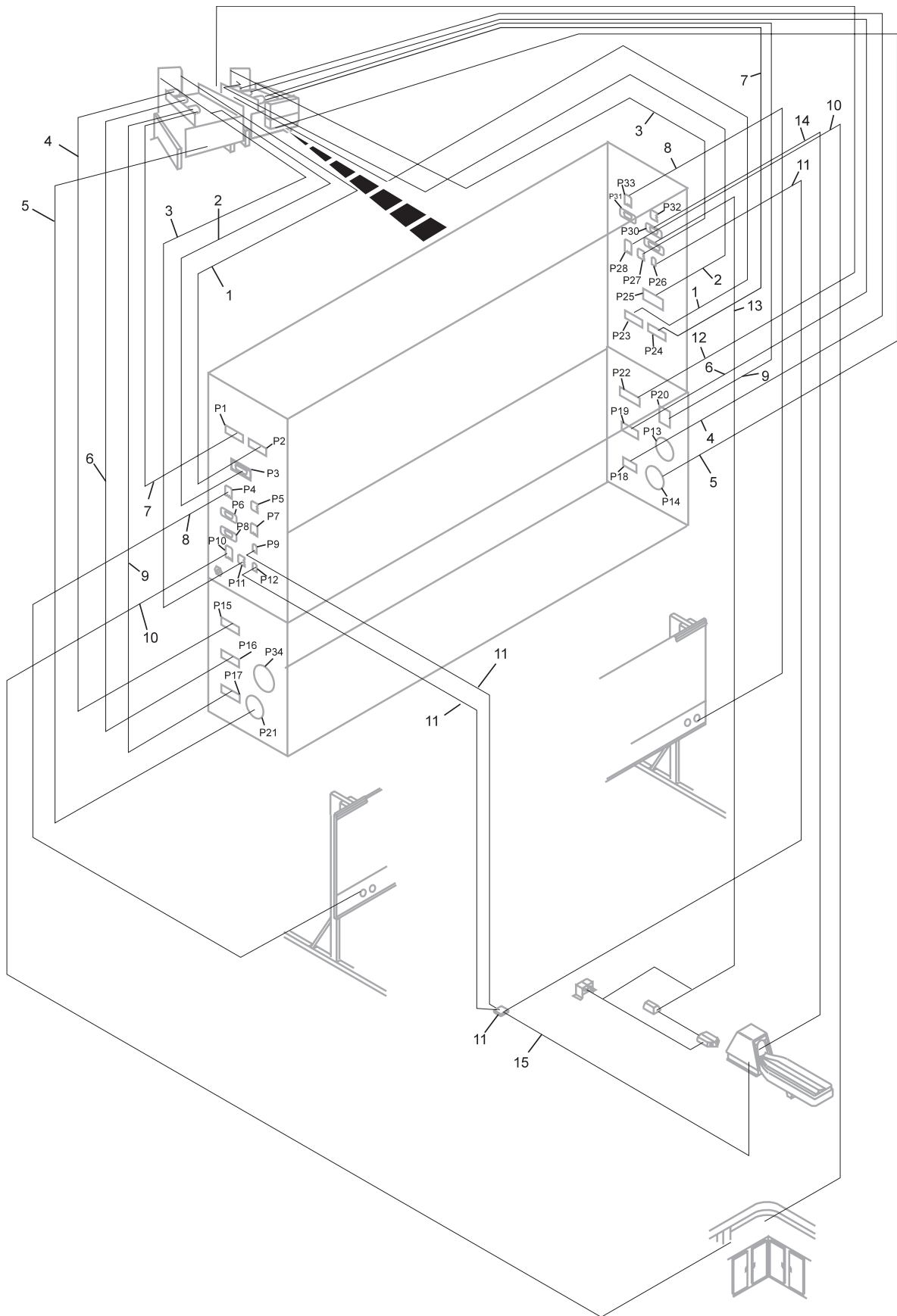
N.A. = No Longer Available



GS Consolidated Electronics Box Mounting

Index No.	Part No.	Description
1.	47-142620-000	Side Function Solenoid and Switches Cable Assembly (right-hand)
2.	47-244922-004	Table Switch and Harness Cable Assembly
3.	47-243071-004	Rear Box Control with Cable Assembly
4.	47-142615-000	Table Motor Cable Assembly
5.	*	Pin Light Power Cable Assembly (left-hand)
6.	47-142617-000	Sweep Motor Cable Assembly
7.	47-142621-000	Function Solenoid and Switches Cable Assembly (left-hand)
8.	53-200871-000	Masking Unit Control Cable Assembly
9.	47-142616-000	Elevator Motor Cable Assembly
10.	68-100159-000	Manager's Lane Control Cable Assembly
11.	47-862825-000	Ball Lift Adapter Cable
12.	47-142614-000	Ball Accelerator Cable Assembly
13.	47-142619-000	Foul and Optical Trigger Cable
14.	68-100050-000	Player Control Station
15.	53-860691-000	Lane (to Ball Lift) Cable Assembly

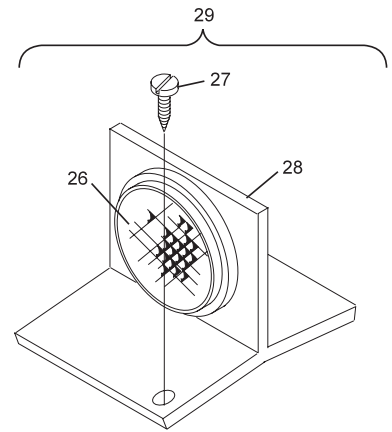
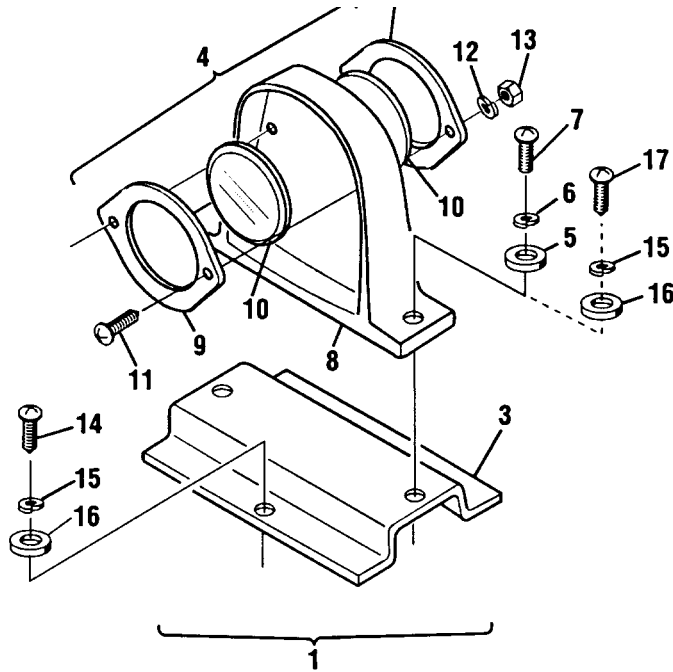
NOTE: See page 5F for Setting Table Cable Assembly for GS-X and Above (Machine Series 424 and Above)



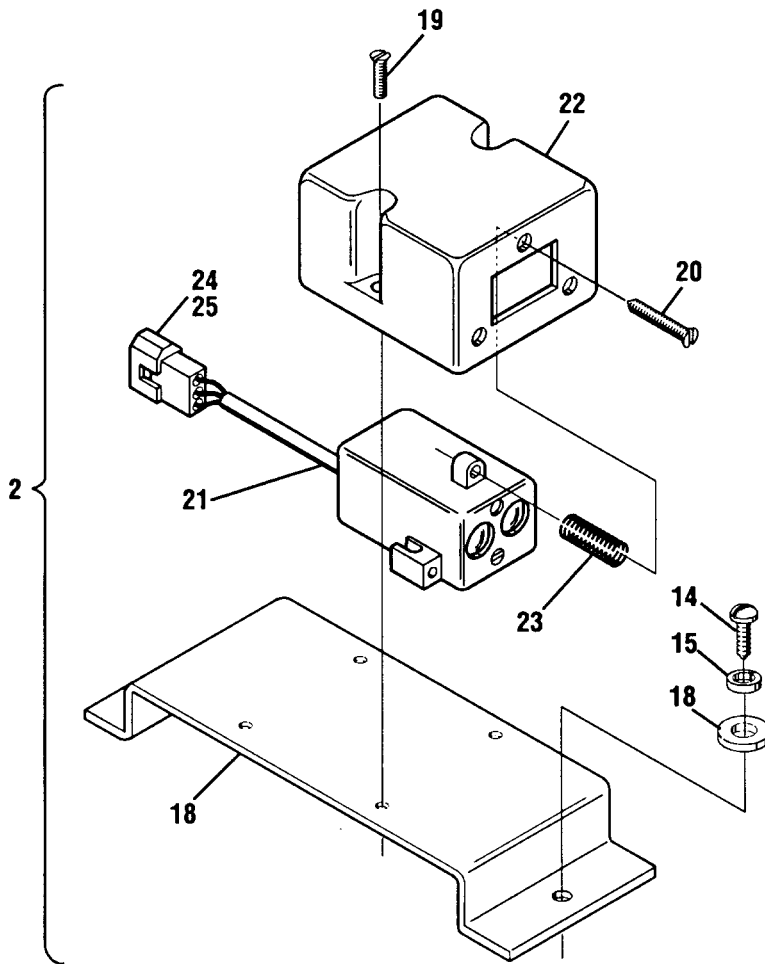
GS Consolidated Electronics Box Cabling

Index No.	Part No.	Description
1.	57-214920-000	Reflector and Bracket Assembly
2.	57-214921-000	Ball Detector Assembly
3.	57-214901-000	Bracket
4.	17-600771-000	Housing Assembly
5.	11-190004-001	Flat Washer (#8)
6.	11-195008-001	Lockwasher (#8)
7.	11-012308-001	Pan Hd. Machine Screw (#8-32 x 3/8")
8.	17-600770-000	Housing Only
9.	17-600773-000	Plate
10.	53-600101-000	Reflector
11.	11-013007-001	Slted. Pan Hd. Machine Screw (#4-40 x 9/16")
12.	11-195004-001	Lockwasher (#4)
13.	11-125000-001	Hex Nut (#4)
14.	11-053203-001	Self Tapping Screw (#10 x 1/2", right-hand)
15.	11-195010-001	Lockwasher (#10)
16.	11-190006-001	Flat Washer (#10)
17.	N.A.	Wood Screw (#10 x 3/4")
18.	57-214900-000	Bracket
19.	11-013060-001	Pan Hd. Machine Screw (#8-32 x 1/2")
20.	11-086307-001	Slted. Flat Hd. Machine Screw (#4 x 1")
21.	57-214904-000	Cable Assembly
22.	99-080186-003	Housing
23.	99-080180-004	Spring
24.	11-680101-000	Connector
25.	11-680302-000	Terminal
26.	47-223102-004	Reflector
27.	11-053203-001	Slotted Pan Hd. Self Tapping Screw (4.2mm x 16mm)
28.	99-200212-004	Reflector Bracket
29.	99-200222-004	Reflector and Bracket Assembly

Reflector and Ball Detector Assemblies - GS Electronics Boxes



FOR UNITS SO EQUIPPED

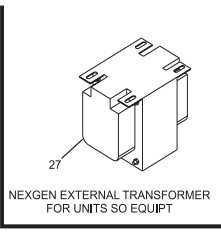
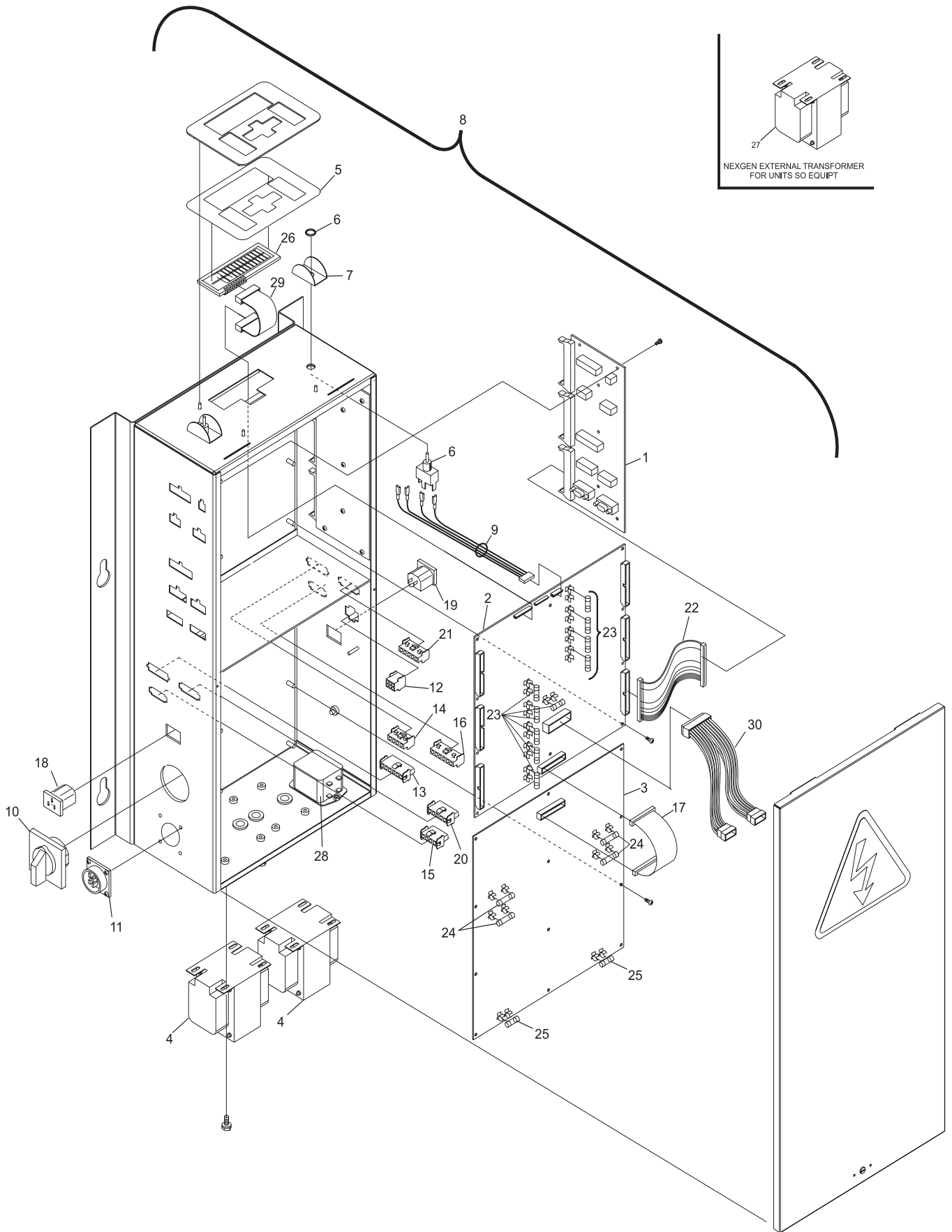


Reflector and Ball Detector Assemblies - GS Electronics Boxes

Index No.	Part No.	Description
1.	47-862863-000	I/O PCB Assembly
2.	47-862851-400	CPU PCB Assembly
3.	47-862852-000	High Voltage PCB Assembly
4.	47-142859-000	Transformer/Harness Assembly-Single (single transformer nexgen box)
	47-142692-000	Transformer/Harness Assembly-Double (dual transformer nexgen box)
5.	47-862857-000	Keyboard Membrane
6.	11-615511-000	ON/OFF Toggle Switch with Nut
7.	47-142594-000	Switch Guard
8.	47-862862-400	Nexgen Controller Assembly
9.	47-142662-000	Run/Stop Cable Assembly
10.	47-142660-000	Power Switch/Cable Assembly (single transformer nexgen box)
	47-142705-000	Power Switch/Cable Assembly (dual transformer nexgen box)
11.	47-142663-000	AC Power In Cable Assembly
12.	47-142653-000	Ball Accelerator Motor Power Cable Assembly
13.	47-142656-000	Distributor Motor Power (Left-Hand) Cable Assembly
14.	47-142656-010	Distributor Motor Power (Right-Hand) Cable Assembly
15.	47-142657-000	Setting Table Power (Left-Hand) Cable Assembly
16.	47-142657-010	Setting Table Power (Right-Hand) Cable Assembly
17.	47-142700-000	CPU to High Voltage Logic Cable Assembly (14")
18.	47-142664-000	Pin Light Power (Left-Hand) Cable Assembly
19.	47-142664-010	Pin Light Power (Right-Hand) Cable Assembly
20.	47-142661-000	Sweep Motor Power (Left-Hand) Cable Assembly
21.	47-142661-010	Sweep Motor Power (Right-Hand) Cable Assembly
22.	47-142654-000	CPU to I/O PCB Cable Assembly
23.	47-862854-000	Fuse 3.15A, 250V (Pkg. of 5)
24.	47-862855-000	Fuse 8A, 250V - Fast Blo, (Pkg. of 5)
25.	47-862856-000	Fuse .5A, 250V - Slow Blo, (Pkg. of 5)
26.	47-142666-000	LCD Display - only (order cable seperately)
27.	47-225658-004	External Transformer/Harness Assembly
28.	11-688581-000	Power Filter
29.	47-142665-000	LCD Display Cable
30.	47-142693-000	Transformer to CPU Cable
31.	*47-862927-400	Nexgen to AS/90 Interface

* Not Illustrated

**Nexgen Controller Assembly
(Includes Internal Cabling)**



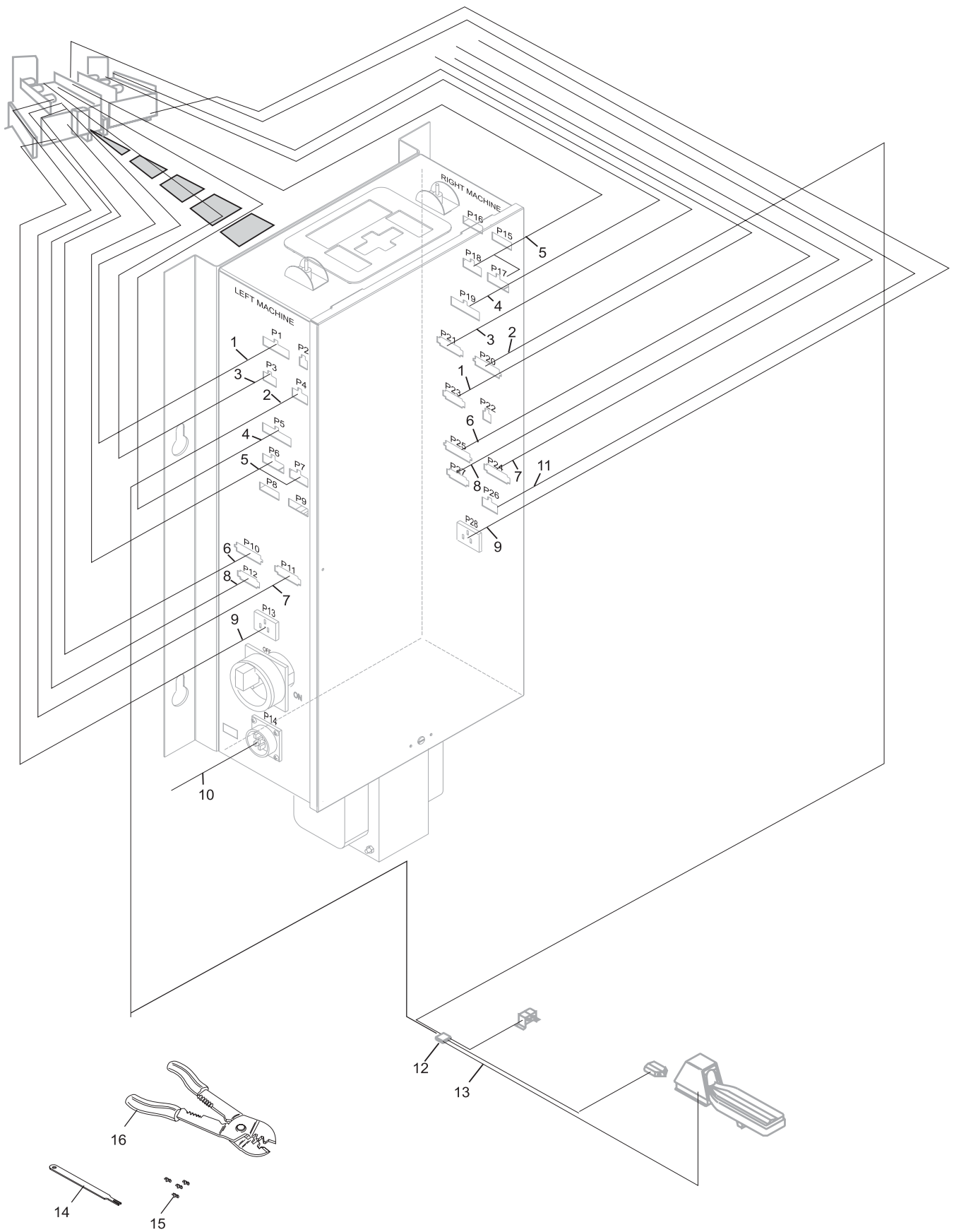
**Nexgen Controller Assembly
(Includes Internal Cabling)**

Index No.	Part No.	Description
1.	47-142674-000	Right-Hand Function Solenoid and Switches Cable Assembly
2.	47-142672-000	Ball Detect and Foul Cable Assembly
3.	47-245422-003	Rear Box Control Cable Assembly
4.	47-142673-000	Left-Hand Functions Solenoids and Switches Cable Assembly
5.	47-245420-004	Setting Table Cable Assembly
6.	47-142616-000	Distributor Motor Cable Assembly
7.	47-142617-000	Sweep Motor Cable Assembly
8.	47-142615-000	Setting Table Motor Cable Assembly
9.	47-225416-004	Pin Light Cable Assembly
10.	47-862735-000	Power In Cable Assembly
11.	47-245423-004	Ball Accelerator Motor Cable Assembly
12.	47-862825-000	Ball Lift Cable
13.	53-860691-000	Lane to Ball Lift Cable
14.	57-900112-000	Forked Extractor
15.	11-692091-000	Pin (Molex)
16.	57-900103-000	Crimper

Left-Hand Machine			Right-Hand Machine		
Connector	Cable Description	Part No.	Connector	Cable Description	Part No.
P1	Right-Hand Function	47-142674-000	P23	Right-Hand Function	47-142674-000
P2	Masking Unit	*	P22	Masking Unit	*
P3	Rear Box Control	47-245422-003	P21	Rear Box Control	47-245422-003
P4	Ball Detect and Foul	47-142672-000	P20	Ball Detect and Foul	*
P5	Left-Hand Function	47-142673-000	P19	Left-Hand Function	47-142673-000
P6/P7	Setting Table	47-245420-004	P17/P18	Setting Table	47-245420-004
P8	FX Com Line In	57-861526-000	P15	Auxillary In	
P9	FX Com Line Out		P16	Auxillary Out	
P10	Distributor Motor	47-142616-000	P25	Distributor Motor	47-142616-000
P11	Sweep Motor	47-142617-000	P24	Sweep Motor	47-142617-000
P12	Setting Table Motor	47-142615-000	P27	Setting Table Motor	47-142615-000
P13	Pin Light	47-225416-004	P28	Pin Light	47-225416-004
P14	Power In	68-100453-000	P26	Ball Accelerator Motor	47-245423-004

**47-862848-000 Ball Detect and Masking Unit Cable*

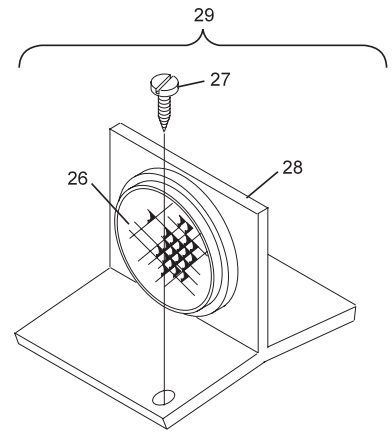
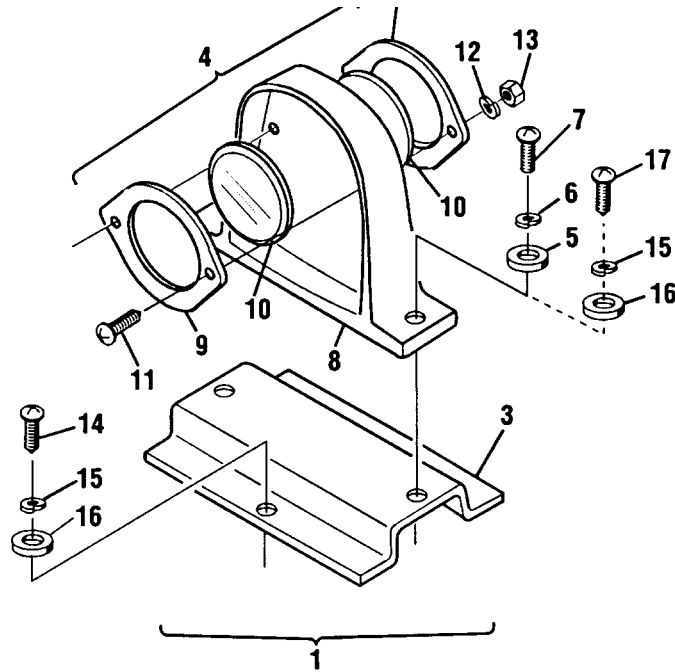
**Nexgen Controller Assembly
External Cabling**



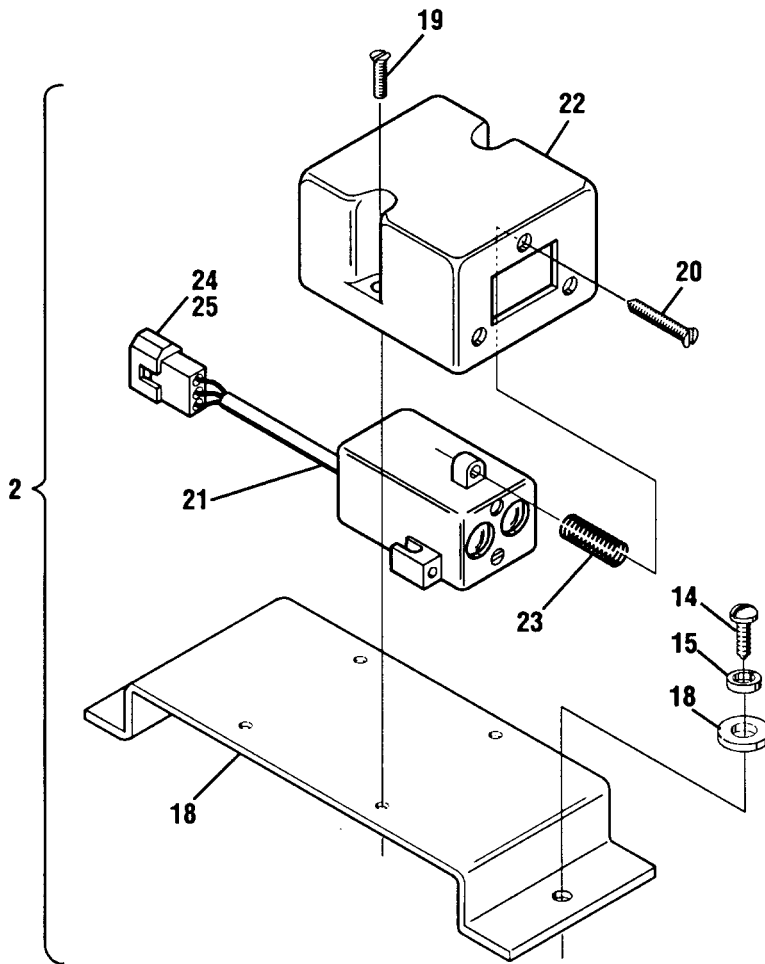
**Nexgen Controller Assembly
External Cabling**

Index No.	Part No.	Description
1.	57-214920-000	Reflector and Bracket Assembly
2.	57-214921-000	Ball Detector Assembly
3.	57-214901-000	Bracket
4.	17-600771-000	Housing Assembly
5.	11-190004-001	Flat Washer (#8)
6.	11-195008-001	Lockwasher (#8)
7.	11-012308-001	Pan Hd. Machine Screw (#8-32 x 3/8")
8.	17-600770-000	Housing Only
9.	17-600773-000	Plate
10.	53-600101-000	Reflector
11.	11-013007-001	Slted. Pan Hd. Machine Screw (#4-40 x 9/16")
12.	11-195004-001	Lockwasher (#4)
13.	11-125000-001	Hex Nut (#4)
14.	11-053203-001	Self Tapping Screw (#10 x 1/2", right-hand)
15.	11-195010-001	Lockwasher (#10)
16.	11-190006-001	Flat Washer (#10)
17.	N.A.	Wood Screw (#10 x 3/4")
18.	57-214900-000	Bracket
19.	11-013060-001	Pan Hd. Machine Screw (#8-32 x 1/2")
20.	11-086307-001	Slted. Flat Hd. Machine Screw (#4 x 1")
21.	57-214904-000	Cable Assembly
22.	99-080186-003	Housing
23.	99-080180-004	Spring
24.	11-680101-000	Connector
25.	11-680302-000	Terminal
26.	47-223102-004	Reflector
27.	11-053203-001	Slotted Pan Hd. Self Tapping Screw (4.2mm x 16mm)
28.	99-200212-004	Reflector Bracket
29.	99-200222-004	Reflector and Bracket Assembly

Reflector and Ball Detector Assemblies - Nexgen Controller Assembly



FOR UNITS SO EQUIPPED



Reflector and Ball Detector Assemblies - Nexgen Controller Assembly