



*Service Parts Catalog*

---

# **GS-Series Pinsetter**

January 2005 / 47-902712-000

**Brunswick**   
CUSTOMER SERVICE  
A tradition in excellence.

## **GS-Series Pinsetter Service Parts Catalog**

© January 2005 by Brunswick Bowling and Billiards Corporation  
Past Revisions: 1992; August 1992, December 1995, August 1996,  
January 1998, June 1999, January 2000, January 2001, July 2002

GS-10, GS-92, GS-96, GS-98, and GS-X are trademarks of  
Brunswick Bowling and Billiards Corporation.

Reorder Part Number 47-902712-000

Notice: If available, updates to this manual can be found on-line at [www.brunswickbowling.com](http://www.brunswickbowling.com)

All information contained in this document is  
subject to change without notice.

Brunswick Bowling and Billiards  
525 West Laketon Avenue  
Post Office Box 329  
Muskegon, MI 49443-0329  
U.S.A.

231-725-3300

# Contents

## Section A - Elevator

Elevator Frame Assembly .....	2A
Elevator Drive/Lift Assembly .....	4A
Dual Feed Pin Chute Assembly .....	6A
Intentionally Blank Page .....	8A
Elevator Assembly - Square Frame Hole Short Pit Machines Series 43 and Above .....	10A
Elevator Assembly - Round Frame Hole Short Pit Machines Series 43 and Above .....	12A
Pin Deflector Boards Short Pit Machines Series 43 and Above .....	14A
Elevator Belt Tensioner Assembly Short Pit Machines Series 43 and Above .....	16A

## Section B - Transport Band

Transport Band Frame Assembly (Long Pit) .....	2B
Transport Band Boards (Long Pit) .....	4B
Transport Band Belt (Long Pit) .....	6B
Deflector Boards and Plates (Long Pit) .....	8B
Transport Band Assembly Short Pit Machines Series 43 and Above .....	10B
Transport Band Belt Tensioner Assembly - Left Machine Short Pit Machines Series 43 and Above .....	12B
Transport Band Belt Tensioner Assembly - Right Machine Short Pit Machines Series 43 and Above .....	14B

## Section C - Ball Cushion & Pit Curtain

Ball Cushion Assembly .....	2C
Dual Feed Overflow Chute- .....	4C
Dual Feed Overflow Chute (Plastic) .....	6C
Pit Curtain Assembly .....	8C
Shock Mounted Dual Feed Overflow Chute (Plastic) .....	10C

## Section D - Accelerator

Accelerator Box Assembly .....	2D
GS-X/CPO Accelerator Box Assembly .....	4D
Ball Accelerator .....	6D
GS-X/CPO Ball Accelerator .....	8D
Ball Door/Lock Assembly .....	10D

## Section E - Sweep Wagon

Sweep Wagon Assembly - with Springs .....	2E
Sweep Wagon Assembly - without Springs (Machine Series 424 and Above) .....	4E
Sweep Release .....	6E
Pre GS-X Sweep Attenuator Assembly .....	8E
GS-X Sweep Attenuator Assembly .....	10E

## Section F - Setting Table

GS-10 - GS-98 Setting Table and Gears .....	2F
GS-X/CPO Setting Table and Gears (Series 424 and Above) .....	4F
GS-10 - GS-98 Setting Table Swing Shafts .....	6F
GS-X/CPO Setting Table Swing Shafts .....	8F
GS-10 Setting Table Switch Cam Assembly .....	10F
GS-10 - GS-98 Spotting Tong Assemblies .....	12F
GS-X/CPO Spotting Tong Assemblies New Style .....	14F
GS-10 and GS-92 Pin Holder Assembly .....	16F
GS-96 - GS-98 Pin Holder Assembly .....	18F
GS-X/CPO Pin Holder Assembly .....	20F
Table Rack and Roller Assembly .....	22F
Table Rack and Roller Assembly (Machine Series 443 and Above) .....	24F

## Section G - Drive Frame Assemblies

Left Drive Frame Assembly .....	2G
Left Drive Frame Assembly (Machine Series 443 and Above) .....	4G
Gear Cluster Assembly .....	6G
Gear Cluster Assembly (GS-96/GS-98/GS-X) .....	8G
Table Gear, Sweep Gear and Pulley Drive Assembly .....	10G
Stroke Limiter Assembly - Horizontal Solenoid .....	12G
Stroke Limiter Assembly - Vertical Solenoid .....	14G
Stroke Limiter Assembly (Machine Series 443 and Above) .....	16G
Front Pulley and V-Belt Tensioner Assembly .....	18G
Distributor Motor and Mount Assembly .....	20G
Sweep Motor and Brake Assembly .....	22G
Setting Table Stop Motor and Mount Assembly .....	24G
Sweep Drive Assembly .....	26G
Main Drive Shaft Assembly .....	28G
Setting Table Pinion Shaft Assembly .....	30G
Right Drive Frame Assembly .....	32G
Right Drive Frame Assembly (Machine Series 443 and Above) .....	34G
Two Piece Guide Tower Assembly .....	36G
One Piece Guide Tower Assembly .....	38G
Guide Tower Assembly (Machine Series 443 and Above) .....	40G
Switch Cluster .....	42G
Square Shaft Assemblies .....	44G

## Section H - Main Frame

Frame Assembly (GS-96 and Below) .....	2H
GS-X Frame Assembly (424 and Above) .....	4H
Support Braces .....	6H
Cable Channel (GS-98) .....	8H

## Section J - Distributor

Dual Feed Distributor .....	2J
Pin Station Assembly (Machine Series 54 and Below) .....	4J
Pin Station Assembly (Machine Series 55 to 333) .....	6J
Universal Pin Station Assembly .....	8J
Dual Feed Distributor Pulley Shaft Assemblies .....	10J
Distributor Pulleys .....	12J
Single Feed Distributor .....	14J
Single Feed Distributor Pulley Shaft Assemblies .....	16J
Pin Separator Assembly (Single Feed Distributor) .....	18J
Pin Head Centering Device Assembly (Single Feed Distributor) .....	20J
Pin Head Centering Device Assembly .....	22J
Distributor Rear Pulley Shaft .....	24J
Shark Switch Assembly Short Pit Machines Series 43 and Above (Excludes Smart Shark) .....	26J
Smart Shark (GS - 96) .....	28J
GS-X Smart Shark .....	30J

## Section K - Silver Box/Universal Voltage Silver Box - Electrical

High Voltage Box, Common Box, Gamesetter Box and Cable Assemblies - Silver Box .....	2K
Smart Shark, High Voltage Box, Common Box, Gamesetter Box and Cable Assemblies - Universal Voltage Silver Box .....	4K
Rear Control Box and Plug Assembly with Pin Contacts Cable Assemblies - Silver Box .....	6K
Rear Control Box and Foul & Optical Trigger Cable Assemblies - Universal Voltage Silver Box .....	8K
Side Function Solenoids & Switches (left-hand) and Side Switches, Trouble Light & Ball Door (right-hand) Cable Assemblies - Universal Voltage Silver Box .....	10K
Setting Table Cable Assembly - Silver Box .....	12K
Gamesetter Power & Peripheral Control Cable Assembly - Silver Box .....	14K
Gamesetter Power & Peripheral Control and Setting Table Cable Assemblies - Universal Voltage Silver Box .....	16K
Switch Data and Solenoid Data Cable Assemblies - Silver Box and Universal Voltage Silver Box .....	18K
Player Control Station - Silver Box and Universal Voltage Silver Box .....	20K
Player Control Station and Ball Lift Control Cable Assemblies - Silver Box and Universal Voltage Silver Box .....	22K

Reflector and Ball Detector Assemblies - Silver Box and Universal Voltage Silver Box .....	24K
Ball Accelerator, Table, Sweep and Elevator Motor Cable Assemblies - Universal Voltage Silver Box .....	26K
Ball Rack Reset, High Voltage to Common Box and Power Adapter Cable Assemblies - Universal Voltage Silver Box .....	28K
Manager's Control Box - Silver Box Electrical and Universal Voltage Silver Box .....	30K
High Voltage Box - Silver Box .....	32K
High Voltage Box - Universal Voltage Silver Box .....	34K
Gamesetter Box - Silver Box and Universal Voltage Silver Box .....	36K
Common Box - Silver Box .....	38K
Common Box - Universal Voltage Silver Box .....	40K

### Section L - Red Box Electrical

Low Voltage Electrical Box .....	2L
High Voltage Electrical Box .....	4L
Manager's Control Red Box Electrical .....	6L
Player Control Unit .....	8L
Player Control Connector Box .....	10L
Foul and Trigger Photocells .....	12L
Tel-E-Foul Connection Boards .....	14L
Pin Light Assembly .....	16L
Remote (Rear) Control Box and Connection Board Assembly .....	18L
Forward Cables .....	20L
Machine Cables .....	22L

### Section M - GS Consolidated Electronics and Nexgen Electronics

GS Consolidated Electronics High Voltage Box Assembly .....	2M
GS Consolidated Electronics Low Voltage Box Assembly .....	4M
GS Consolidated Electronics Box Mounting .....	6M
GS Consolidated Electronics Box Cabling .....	8M
Reflector and Ball Detector Assemblies - GS Electronic Boxes .....	10M
Nexgen Controller Assembly (includes Internal Cabling) .....	12M
Nexgen Controller Assembly External Cabling .....	14M
Reflector and Ball Detector Assembly - GS Electronic Boxes .....	16M

### Section N - Miscellaneous

Guards .....	2N
Guards .....	4N
Guards .....	6N
Guards .....	8N
C-Guards .....	10N
V-Belt Guard .....	12N
Machine Guard (Machine Series 443 and Above) .....	14N
Belt Welding Kit and Belt Cutter .....	16N
Dual Pin Lamp System (Machine Series 443 and Above) .....	18N

# Select Only Genuine Brunswick Replacement Parts for Brunswick Equipment

You purchased the best when you bought Brunswick equipment. Insist on the best in replacement parts...Buy Genuine *Brunswick Replacement Parts* to keep your equipment in top-notch working order.

HERE'S WHY YOU SHOULD INSIST ON *Brunswick Replacement Parts* FOR YOUR BRUNSWICK EQUIPMENT:

- Only Brunswick replacement parts are guaranteed to be the same, finest quality, heavy-duty parts that go into the world's finest equipment by Brunswick.
- Rigid quality control assures maximum protection against part defect or failure.
- Full-time testing of all equipment and continual updating of parts provides the latest improvements.
- Each improved part is designed to be interchangeable with the part it is replacing.
- New, low cost methods of production and more efficient design to reduce cost of parts...This assures the lowest cost while maintaining the Brunswick standard of quality.

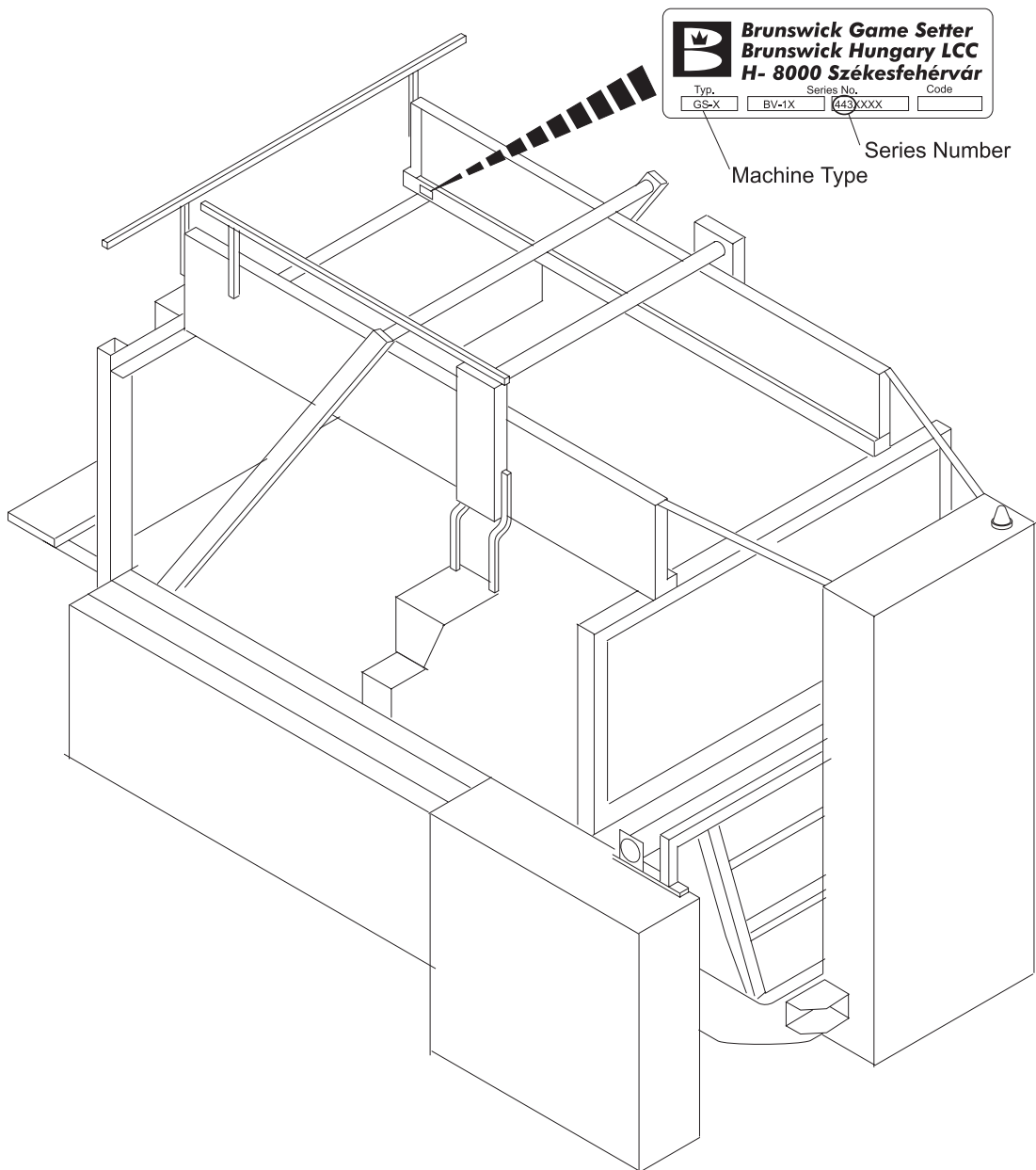
To place an order contact your authorized Brunswick parts distributor or Brunswick at 1-800-YES-BOWL or 231-725-3300. Authorized Brunswick part distributors listings can be found on-line at [www.brunswickbowling.com](http://www.brunswickbowling.com)

## Machine Identification

The following pages list the replacement parts available to Brunswick pinsetter customers. These pages include components of the "GS-Series" pinsetters which include the GS-10, GS-92, GS-96, GS-98, GS-CPO and GS-X machines.

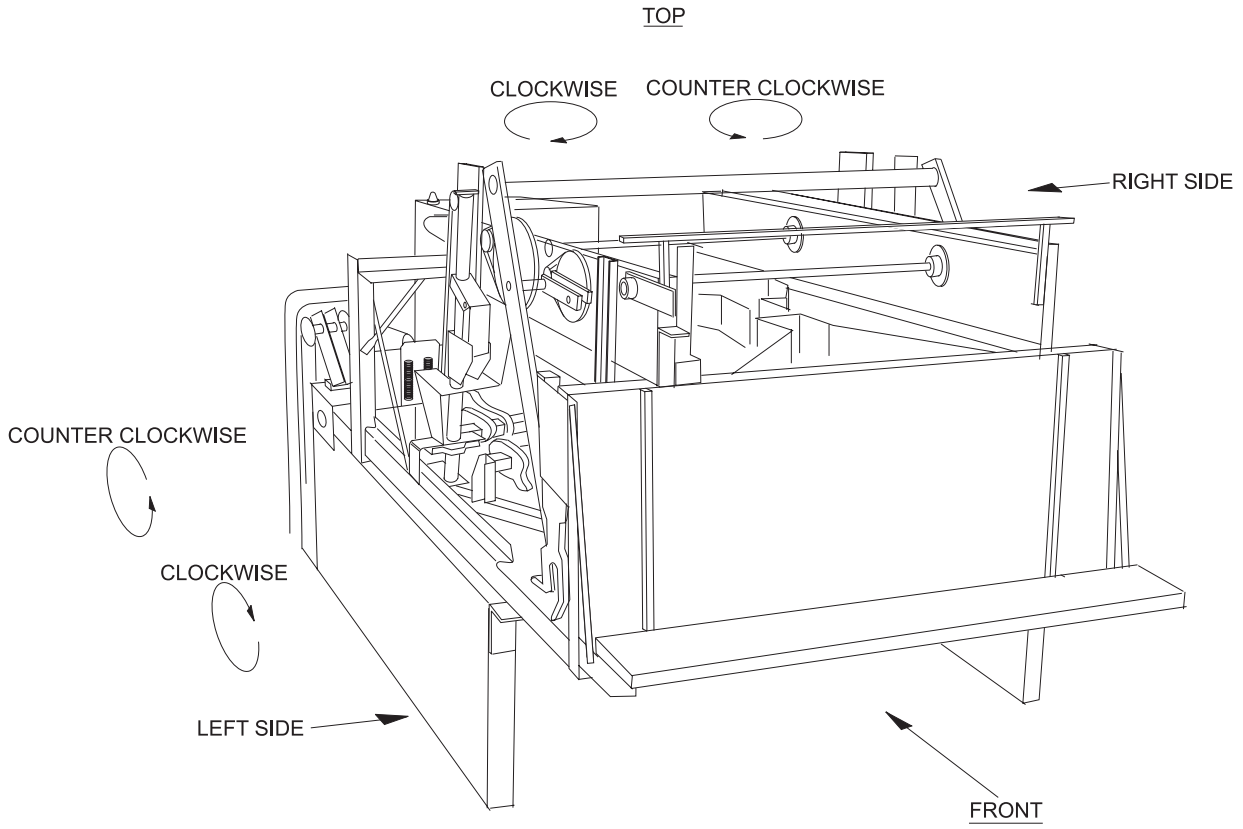
Although the easiest way to identify the part requiring replacement is to visually match what is shown in the illustrations to the component on your machine, it may be necessary to verify your specific type and series of pinsetter.

Each machine has an identification plate attached to the frame at the location shown. On various parts lists and illustrations, the page title may list "Machines Series 443 and Above," for example. The series number can be easily found on the identification plate.



## Machine Orientation

The following graphic illustrates the proper machine orientation throughout this catalog.



## **WARRANTY**

- Warranty coverage starts with date of delivery.
- The warranty coverage period is 90 days on materials unless otherwise noted.
- Repair or replacement parts is at the option of Brunswick.
- Call your authorized Genuine Brunswick Parts Distributor for parts warranty transaction process.