

Section H

MAIN FRAME

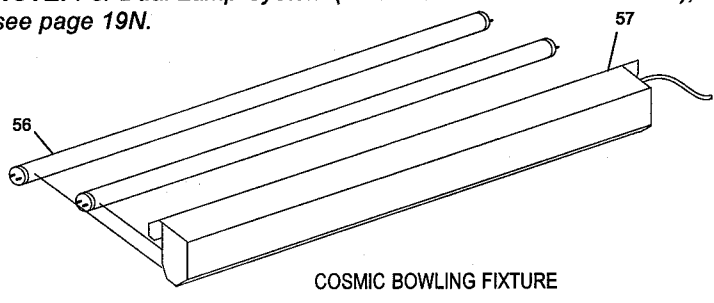
Index No.	Part No.	Description
1.	11-051005-001	Hex Hd. Cap Screw (10 mm x 20 mm)
2.	11-051055-001	Lag Screw (8 mm x 60 mm)
3.	47-080207-003	Angle Bracket
4.	47-080206-004	Common Mounting Plate
5.	11-052453-001	Flat Hd. Wood Screw (8 mm x 60 mm)
6.	47-082375-002	Side Frame (left-hand)
7.	11-051771-001	Lockwasher (10 mm)
8.	47-081164-004	Support Brace (left-hand)
9.	11-051035-001	Hex Hd. Cap Screw (6 mm x 16 mm)
10.	11-051769-001	Lockwasher (6 mm)
11.	11-051702-001	Hex Nut (6 mm)
12.	47-082379-004	Rear Brace Supports
13.	47-082377-001	Upper Rear Cross Brace
14.	11-051038-001	Hex Hd. Cap Screw (8 mm x 16 mm)
15.	11-051770-001	Lockwasher (8 mm)
16.	11-051704-001	Hex Nut (8 mm)
17.	47-081251-004	U-Bracket
18.	47-081256-004	Support (right-hand)
19.	47-082376-002	Side Frame (right-hand)
20.	47-080201-001	Front Frame Support (all GS-Series)
21.	47-081961-003	Support Strap
22.	47-082128-003	Catwalk
23.	11-052603-001	Carriage Bolt (8 mm x 45 mm)
24.	47-081857-002	Electrical Box Mounting Plate
25.	47-084955-002	Cable Channel
26.	47-083506-003	Catwalk Support (left-hand)
27.	11-051745-001	Locknut (10 mm)
28.	11-051010-001	Hex Hd. Cap Screw (8 mm x 20 mm)
29.	11-051744-001	Locknut (8 mm)
30.	11-053575-000	Rubber Bumper
31.	11-053576-000	Rubber Bumper
32.	47-081960-003	Catwalk Support (right-hand)
33.	11-051509-001	Socket Hd. Cap Screw (6 mm x 12 mm)
34.	11-052048-001	Flat Washer (6.4 mm x 16 mm x 1.6 mm)
35.	11-051539-001	Socket Hd. Cap Screw (4 mm x 6 mm)
36.	99-050229-004	Switch
37.	11-052019-001	Flat Washer (8.4 mm x 25 mm x 2 mm)
38.	47-082378-003	Lower Rear Cross Brace
39.	47-082135-002	Pin Lamp Assembly Guard
40.	47-091316-003	Pin Deflector (for Single Feed Distributors only)
41.	47-081664-004	Support Brace (new style)
42.	47-083659-004	Support Strap (new style)
43.	47-083667-003	Electrical Box Mounting Plate (silver box)
44.	47-223075-004	Pin Lamp Assembly Complete (silver box)
45.	47-203146-000	Lamp
46.	47-203147-000	Starter
47.	N.A.	Plug
48.	N.A.	Quick-Lock Fastener Receptacle (with retaining Nuts)
49.	*11-601800-000	Quick-Lock Fastener Stud
50.	11-052050-001	Hex Hd. Cap Screw (10 mm x 30 mm)
51.	47-083662-004	Angle Bracket
52.	11-051001-001	Hex Hd. Cap Screw (6 mm x 12 mm)
53.	11-051743-001	Locknut (6 mm)
54.	11-052008-001	Flat Washer (6.4 mm x 12.5 mm x 1.6 mm)
55.	84-200073-000	Barrel Nut
56.	12-862933-000	Black Light Bulb - Pkg. of 6
57.	12-862922-000	Dual Lamp Assembly with Bulbs

N.A.=No Longer Available

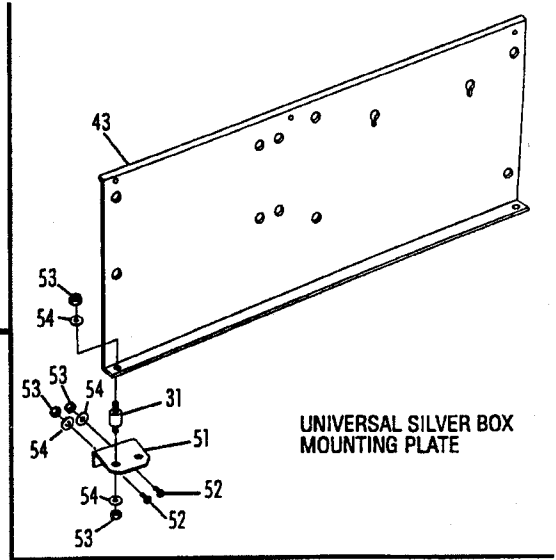
* Not Illustrated

Frame Assembly (GS-96 and Below)

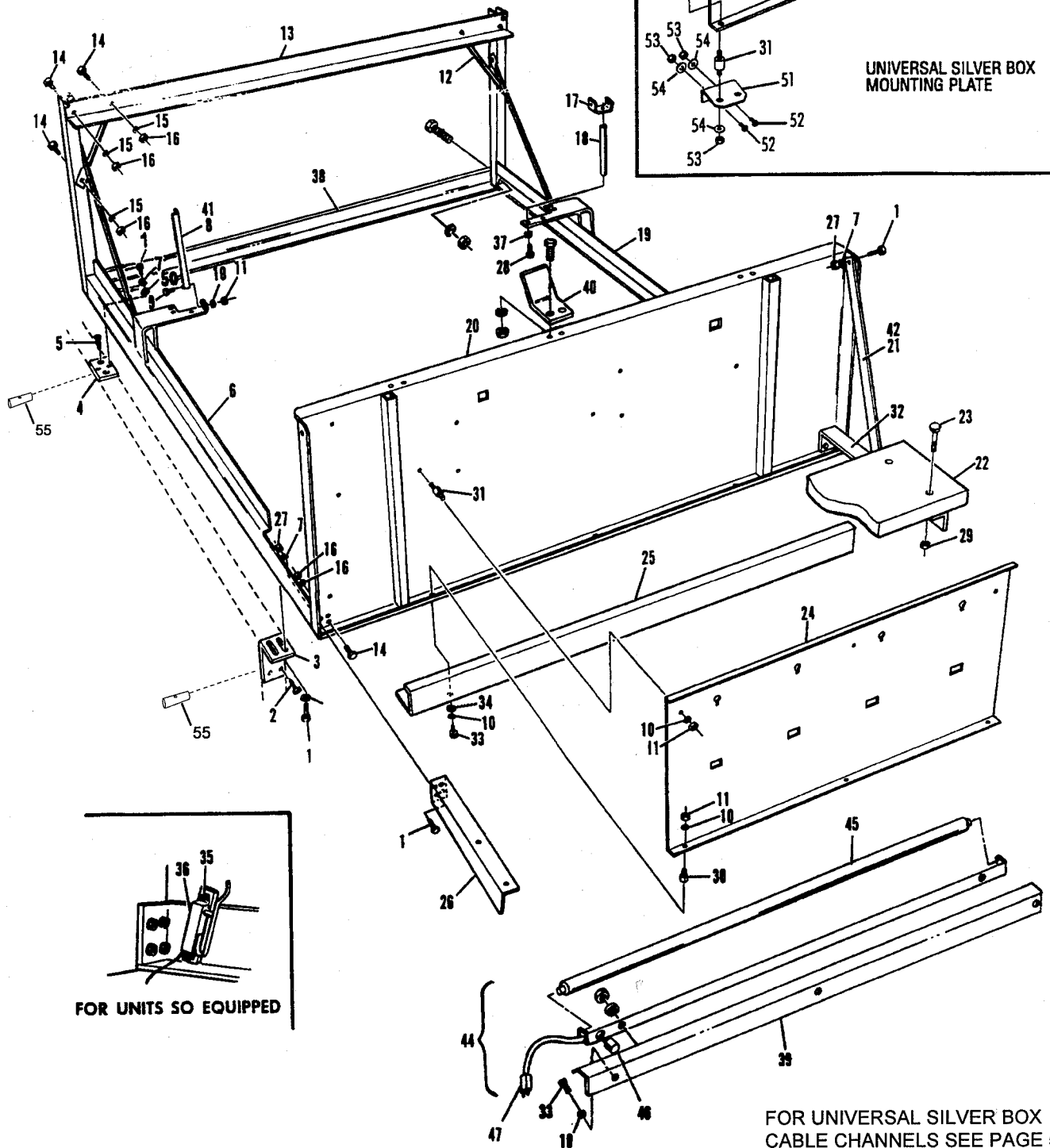
NOTE: For Dual Lamp System (Machine Series 424 and Above), see page 19N.



COSMIC BOWLING FIXTURE



UNIVERSAL SILVER BOX MOUNTING PLATE



FOR UNITS SO EQUIPPED

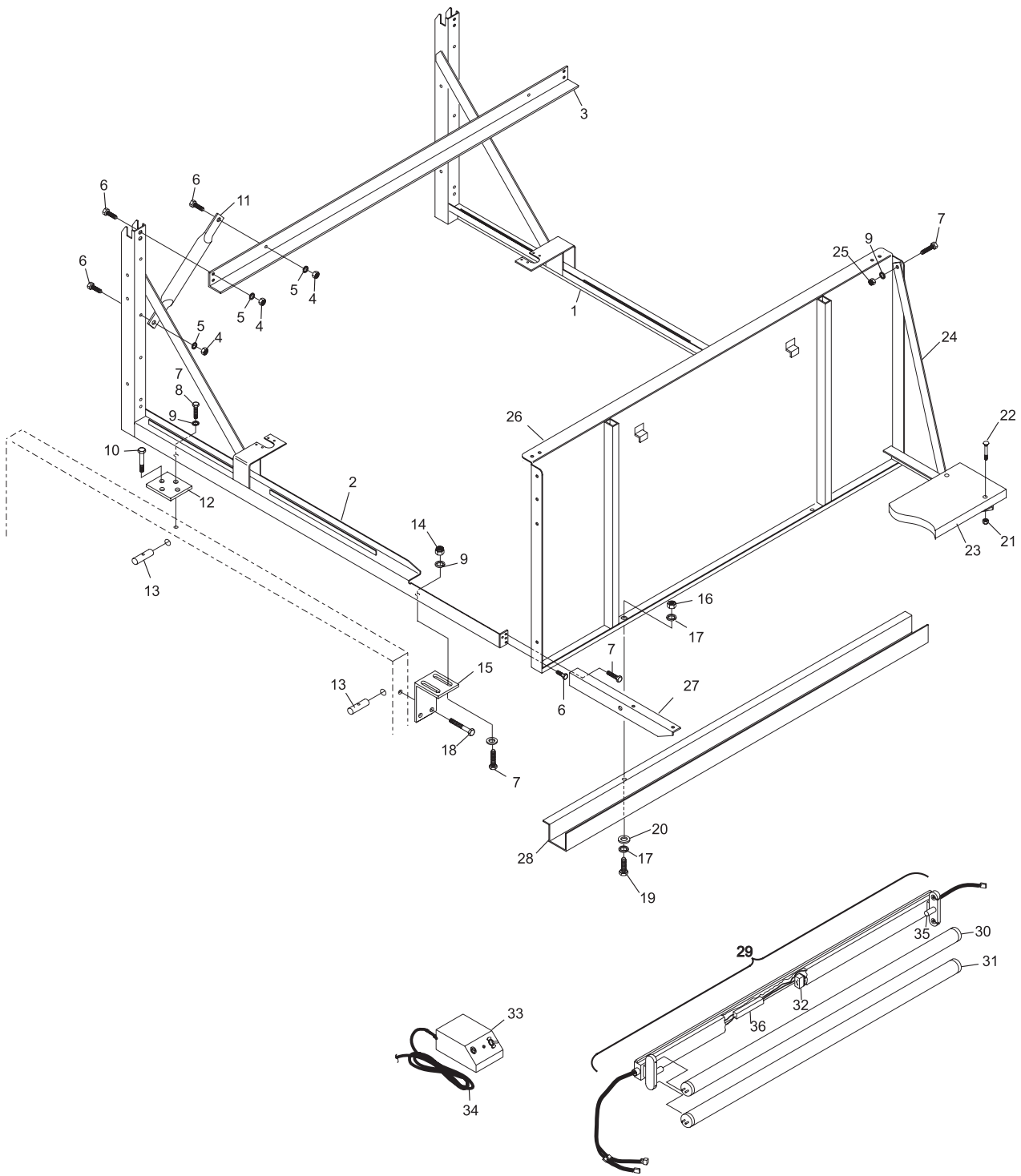
FOR UNIVERSAL SILVER BOX CABLE CHANNELS SEE PAGE 5N

Frame Assembly (GS-96 and Below)

Index

No.	Part No.	Description
1.	47-085443-002	Side Frame (right-hand)
2.	47-085442-002	Side Frame (left-hand)
3.	47-082377-001	Upper Rear Cross Brace
4.	11-051704-001	Hex Nut (8 mm)
5.	11-051770-001	Lockwasher (8 mm)
6.	11-051038-001	Hex Hd. Cap Screw (8 mm x 16 mm)
7.	11-051005-001	Hex Hd. Cap Screw (10 mm x 20 mm)
8.	11-052050-001	Hex Hd. Cap Screw (10 mm x 30 mm)
9.	11-051771-001	Lockwasher (10 mm)
10.	11-052453-001	Flat Hd. Wood Screw (8 mm x 60 mm)
11.	47-082379-004	Rear Brace Supports
12.	47-080206-004	Common Mounting Plate
13.	84-200073-000	Barrel Nut
14.	11-051745-001	Locknut (10 mm)
15.	47-080207-003	Angle Bracket
16.	11-051702-001	Hex Nut (6 mm)
17.	11-051769-001	Lockwasher (6 mm)
18.	11-051055-001	Lag Screw (8 mm x 60 mm)
19.	11-051509-001	Socket Hd. Cap Screw (6 mm x 12 mm)
20.	11-052048-001	Flat Washer (6.4 mm x 16 mm x 1.6 mm)
21.	11-051744-001	Locknut (8 mm)
22.	11-052603-001	Carriage Bolt (8 mm x 45 mm)
23.	47-082128-003	Catwalk
24.	47-083659-004	Support Strap (new style)
25.	11-051745-001	Locknut (10 mm)
26.	47-080201-001	Front Frame Support
27.	47-083506-003	Catwalk Support (left-hand)
28.	47-084955-002	Cable Channel
29.	47-225723-004	Dual Light Assembly - without Bulbs or Power Supply/Control Unit (230/380 Volt)
	47-225722-004	Dual Light Assembly - without Bulbs or Power Supply/Control Unit (208 Volt)
30.	47-203146-000	Bulb - White
31.	99-220385-004	Bulb - Black (Pkg. of 6)
32.	99-220366-004	Relay (24VAC)
33.	47-225254-003	Power Supply/Control Unit
34.	47-225263-004	Controller Cable
35.	47-203147-000	Starter (230/380 volt pinsetters only)
36.	47-225732-004	Electronic Ballast (208 Volt)

GS-X Frame Assembly (424 and Above)



GS-X Frame Assembly (424 and Above)

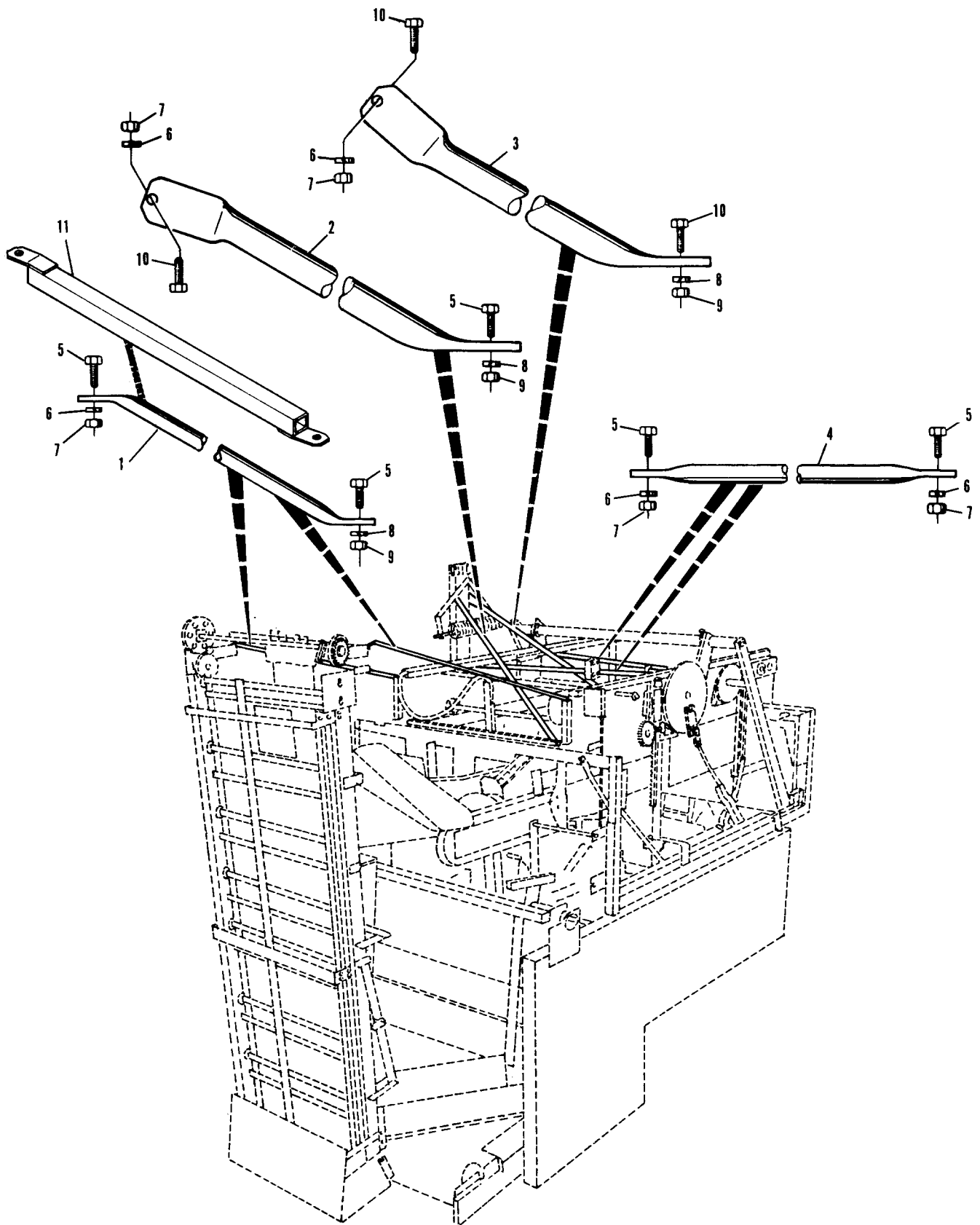
November, 2004

Index No.	Part No.	Description
1.	*N.A.	Elevator Support Brace
2.	47-081492-003	Rear Guide Tower Support Brace
3.	47-081357-003	Front Guide Tower Support Brace
4.	47-081359-004	Cross Support Brace
5.	11-051038-001	Hex Hd. Cap Screw (8 mm x 16 mm)
6.	11-051770-001	Lockwasher (8 mm)
7.	11-051704-001	Hex Nut (8 mm)
8.	11-052003-001	Flat Washer (8.4 mm x 17 mm x 1.6 mm)
9.	11-051744-001	Locknut (8 mm)
10.	11-051010-001	Hex Hd. Cap Screw (8 mm x 20 mm)
11.	47-084022-003	Cable Channel Support Brace

N.A. = No Longer Available

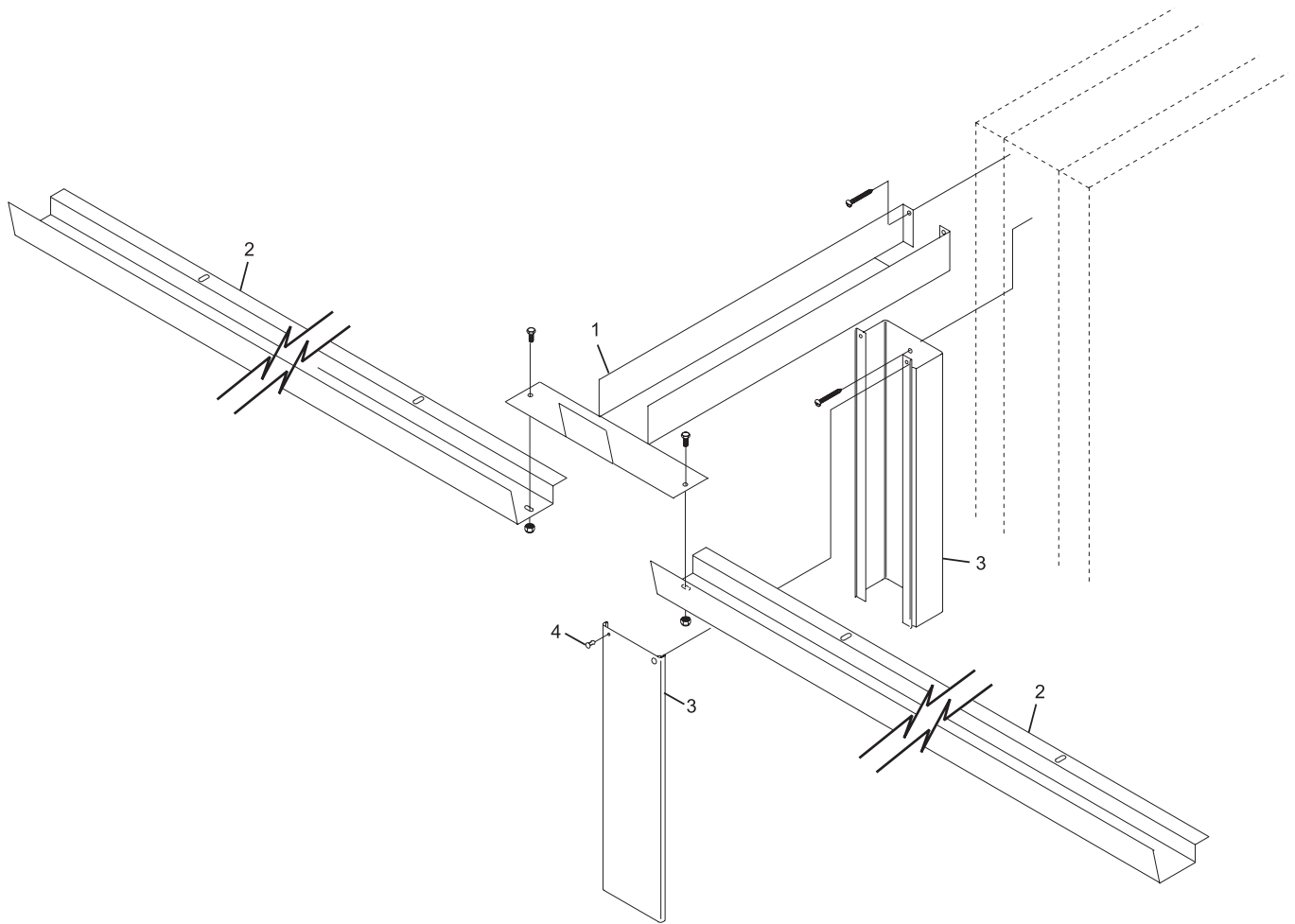
** Item is replaced with Index No. 11*

Support Braces



Support Braces

Index No.	Part No.	Description
1.	47-084956-002	Middle Channel
2.	47-084955-002	Channel (for left-hand and right-hand use)
3.	47-084958-004	Channel/Cover Assembly - complete
4.	47-084959-004	Nylon Push Fastener



Cable Channel (GS-98)