

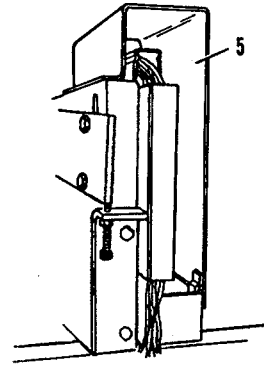
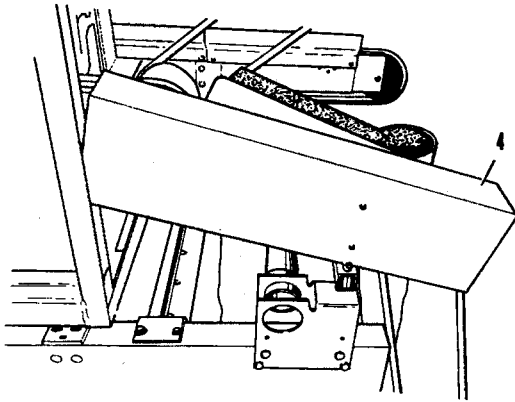
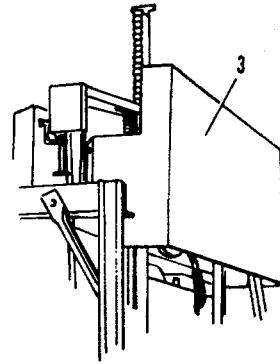
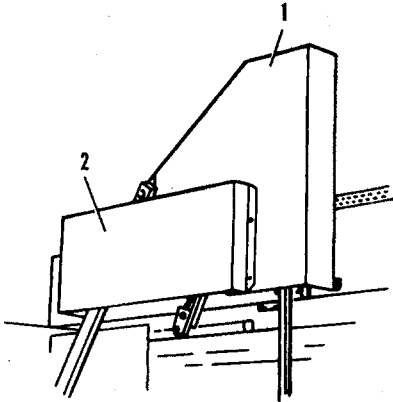
Section N

MISCELLANEOUS

Index No.	Part No.	Description
1.	47-081504-001	Guide Tower Guard
2.	47-081795-002	Gear Train Guard (right-hand)
3.	47-082103-001	Gear Train Guard (left-hand)
4.	N.A.	Belt Guard
5.	47-072086-003	Motor Pulley Guard

N.A. = No Longer Available

Guards



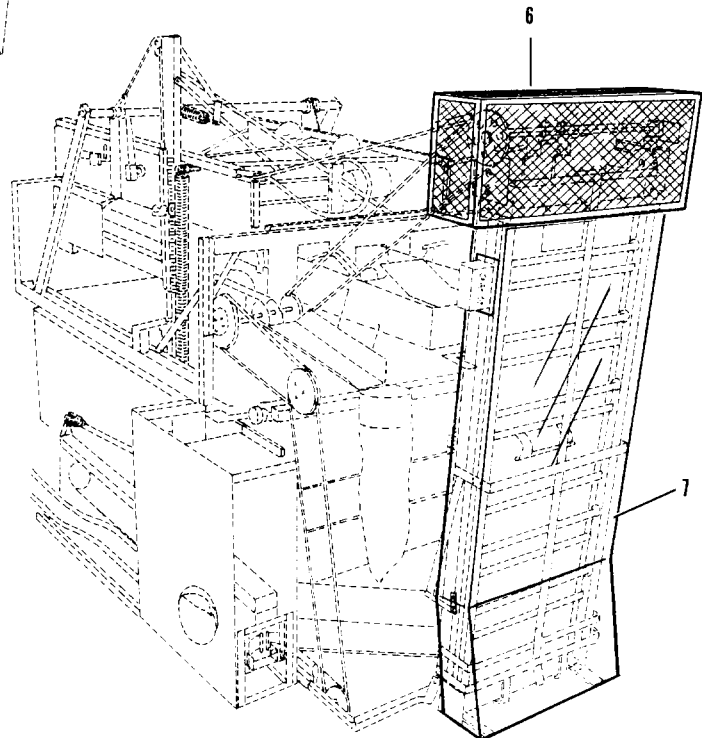
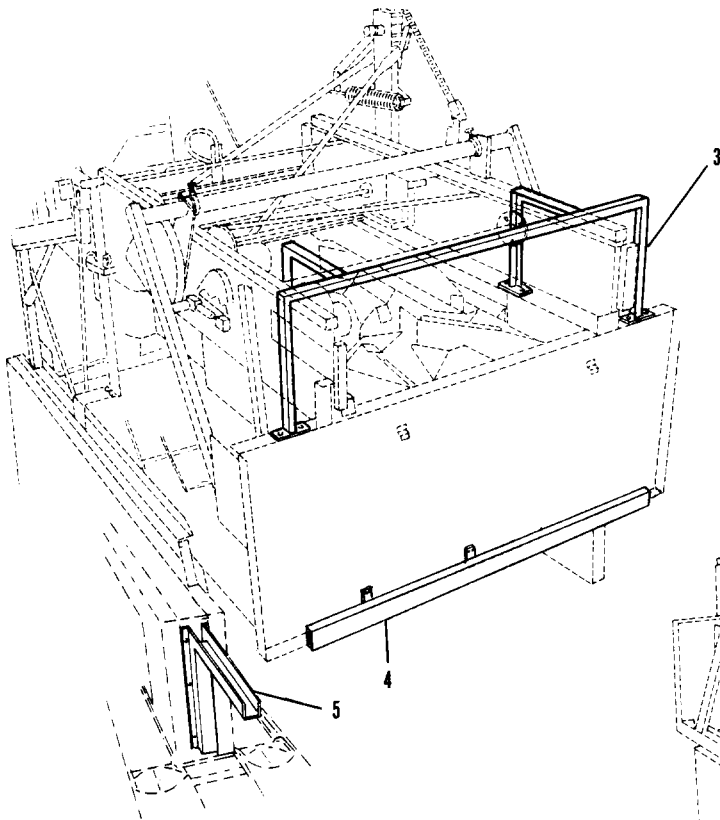
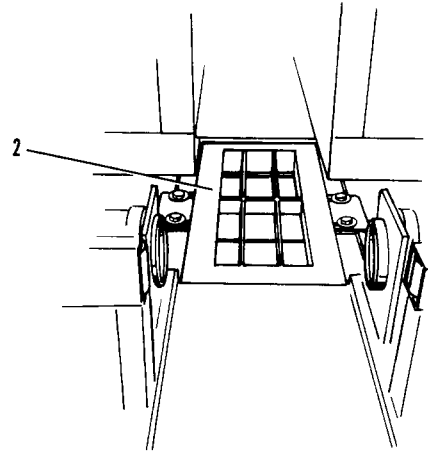
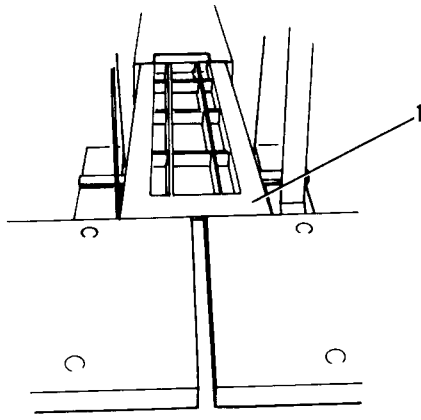
Guards

Index No.	Part No.	Description
1.	47-084028-002	Catwalk Guard
2.	47-084024-002	Ball Return Guard
3.	47-084048-001	Hand Rail
4.	*47-084032-002	Front Cable Channel (right-hand)
	47-084030-002	Front Cable Channel (left-hand)
5.	47-084038-001	Kickback Cable Channel
6.	47-084051-000	Upper Elevator Guard
7.	*47-084043-001	Lower Elevator Guard (left-hand)
	47-084044-001	Lower Elevator Guard (right-hand)
	47-013990-002	Elevator Rear Guard Assembly (GS-92 or GS-96)
8.	*47-011775-003	Elevator Guard Complete (short)
9.	*47-023923-003	Lexan Division Barrier (between machines)

* *Not Illustrated*

NOTE: For complete (tall) Guard package, order part number 47-273880-009.

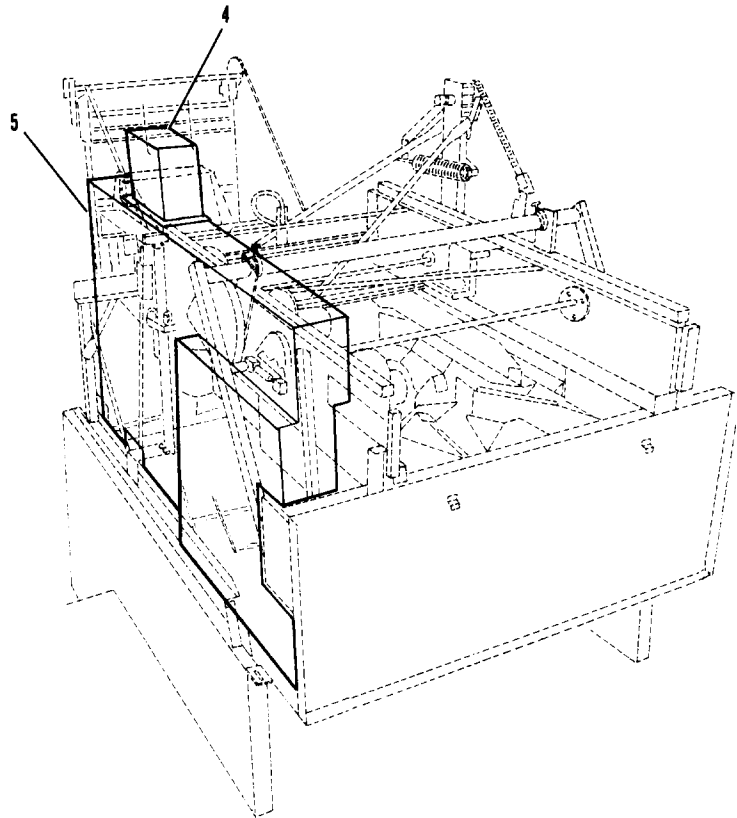
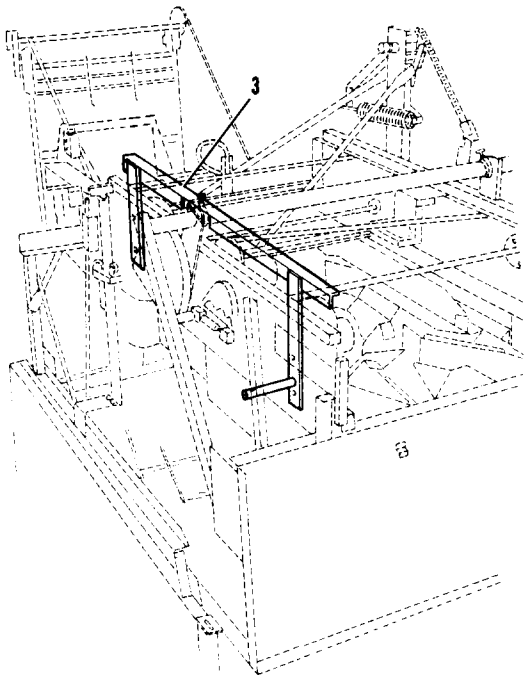
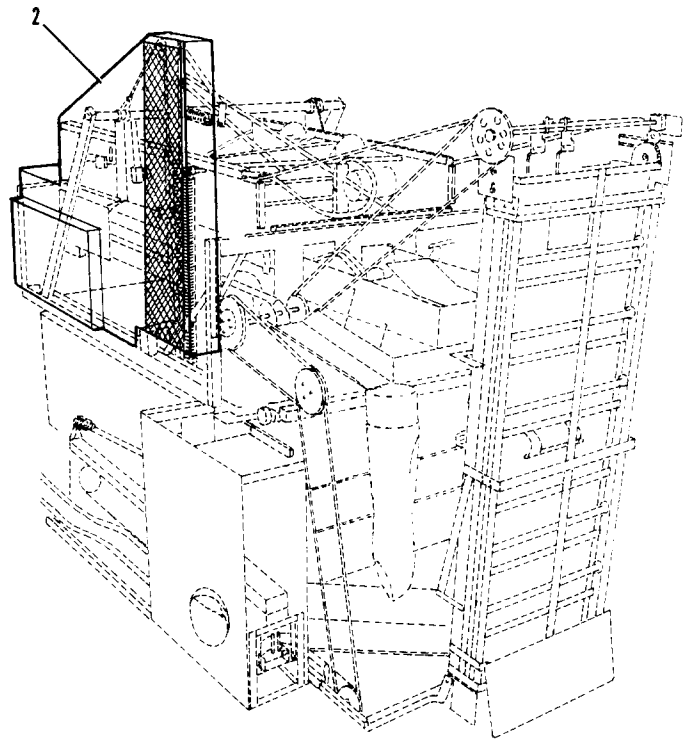
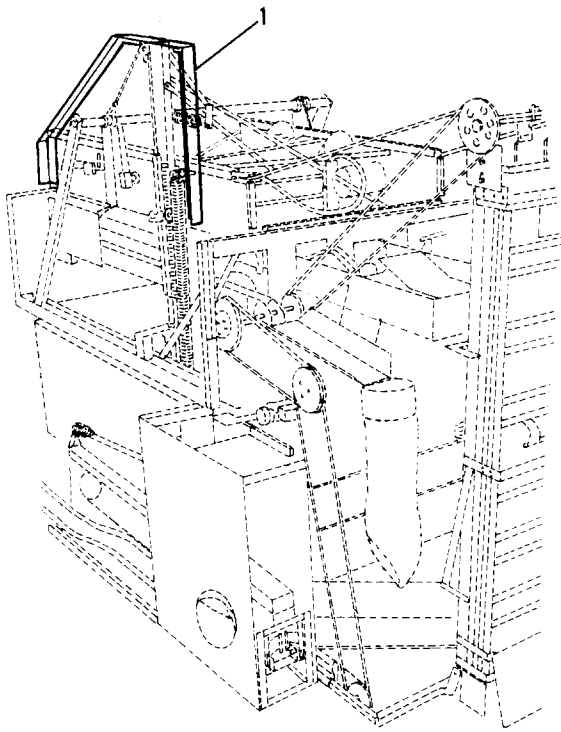
Guards



Guards

Index No.	Part No.	Description
1.	47-084047-001	Guide Tower Guard Frame
2.	47-084041-001	Guide Tower Guard
3.	47-084025-002	Left Side Guard Frame
4.	47-084026-002	Stroke Limiter Guard
5.	47-084039-001	Left Side Guard Complete
6.	*47-273879-009	Guard Hardware

** Not Illustrated*

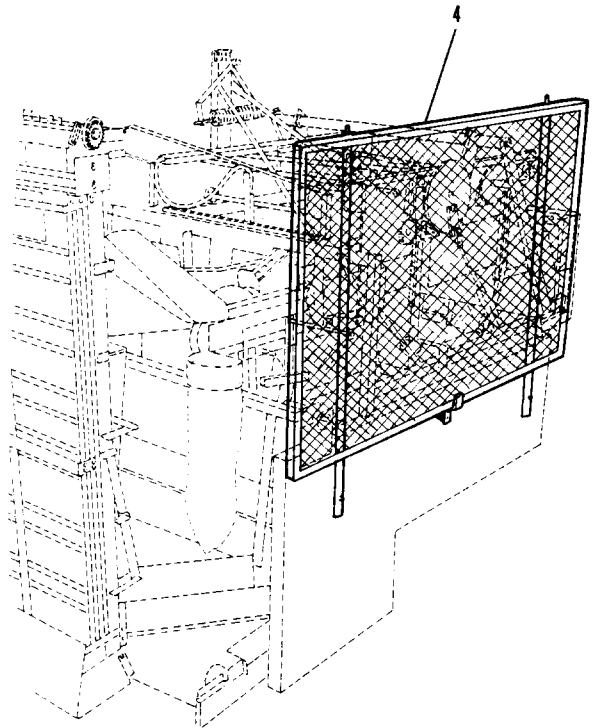
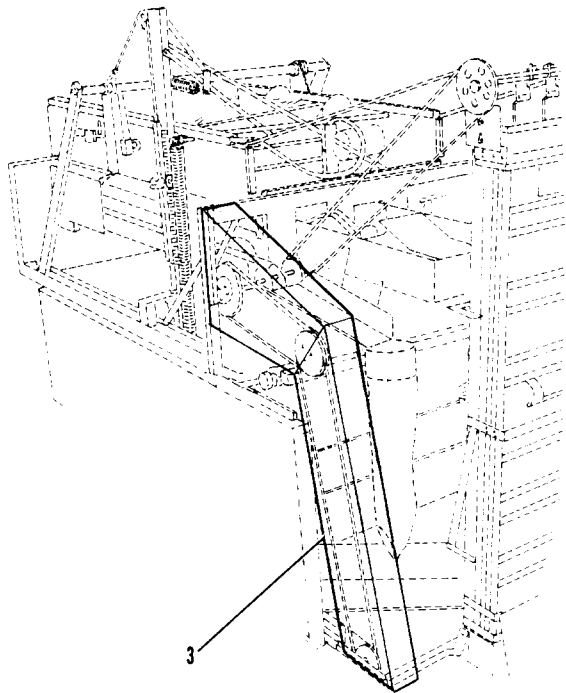
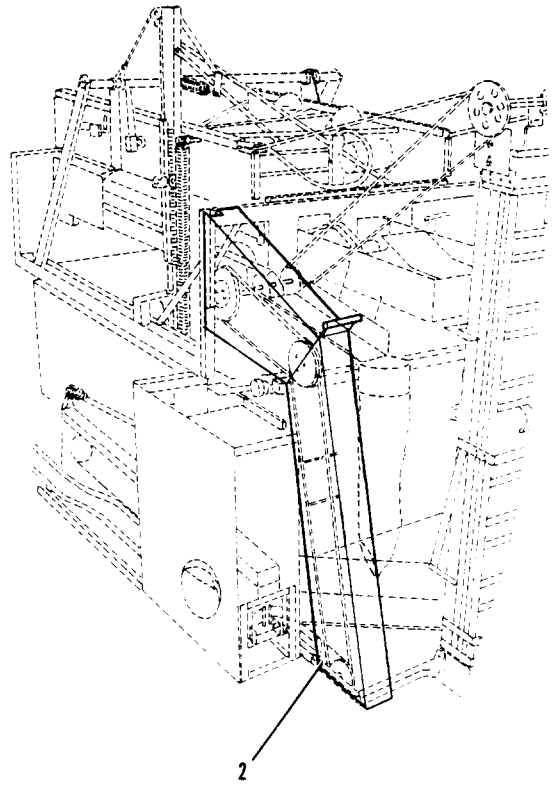
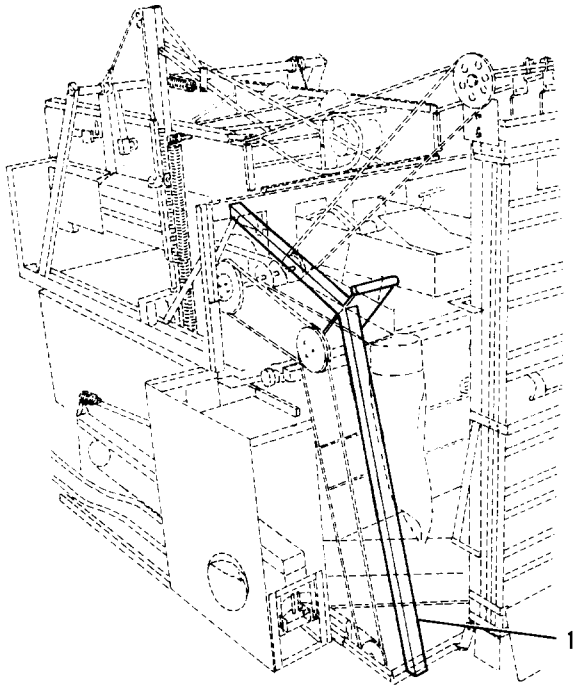


Guards

Index No.	Part No.	Description
1.	*47-084050-001 47-084049-001	Pulley Guard Frame Pulley Guard Frame
2.	47-084046-001	Pulley Guard (at ball return)
3.	47-084045-001	Pulley Guard (at division)
4.	47-084033-002	Side Guard Complete (end machine)

** Not Illustrated*

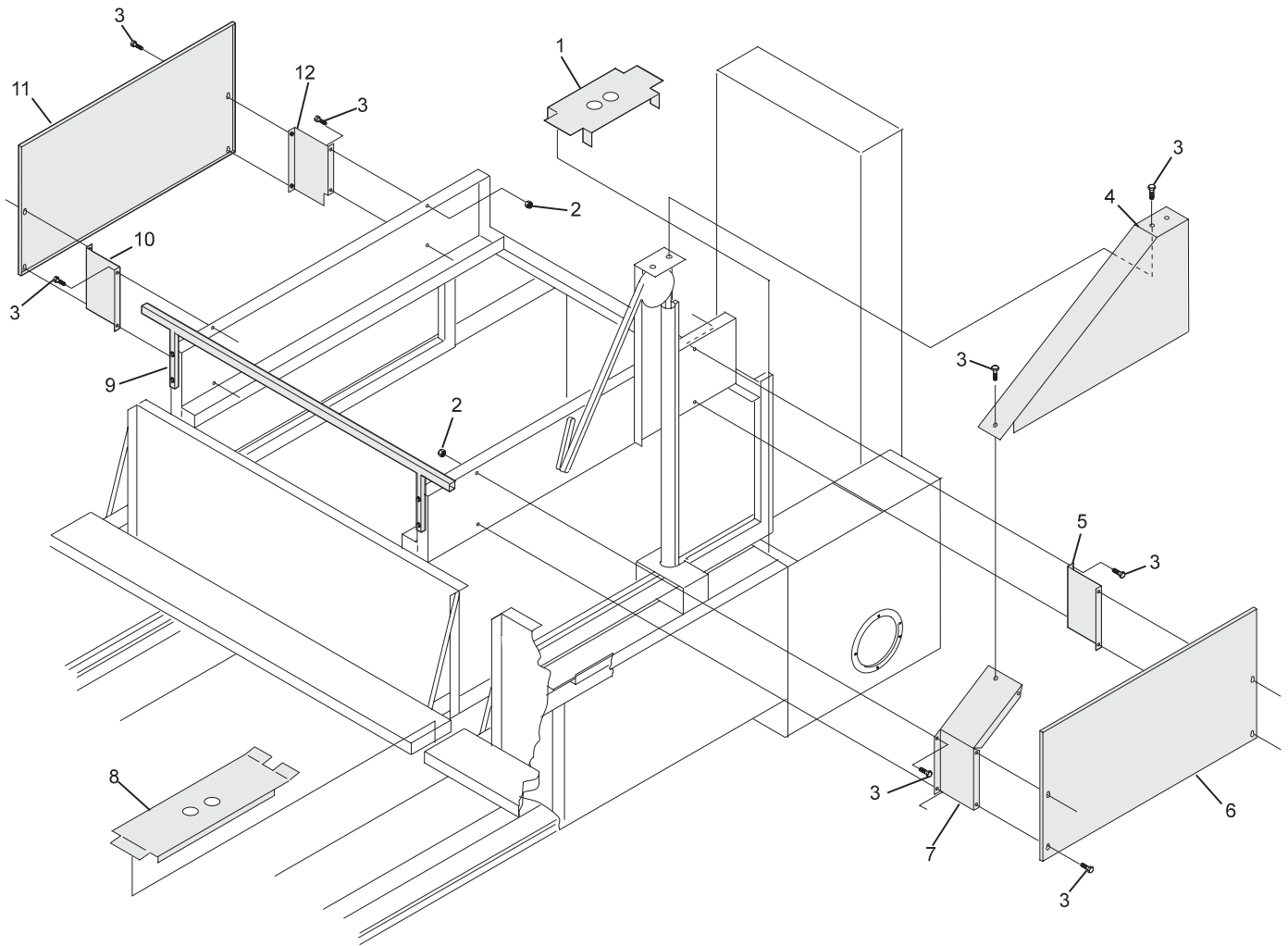
Guards



Guards

Index No.	Part No.	Description
1.	47-084935-003	Accelerator Cover
2.	11-051744-001	Locknut (M8)
3.	11-051038-001	Metric Hex Head Cap Screw (M8 x 16)
4.	47-084938-002	Top Cover
5.	N.A.	Rear Support (right-hand)
6.	47-084937-002	Side Cover
7.	N.A.	Front Support (right-hand)
8.	47-084936-003	Walk Cover
9.	47-084930-003	Hand Rail
10.	N.A.	Front Support (left-hand)
11.	47-084937-002	Side Cover
12.	N.A.	Rear Support (left-hand)

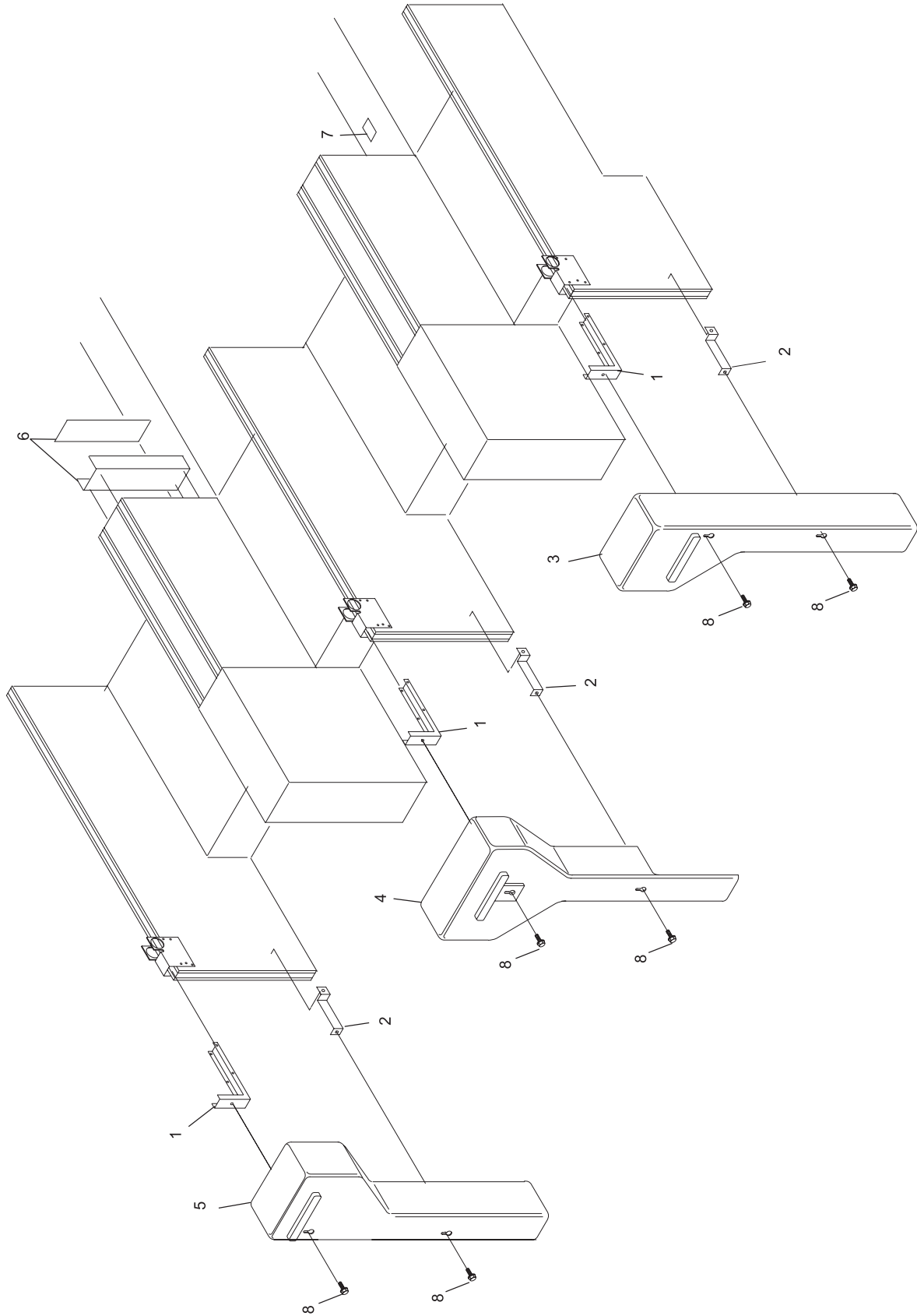
C-Guards



C-Guards

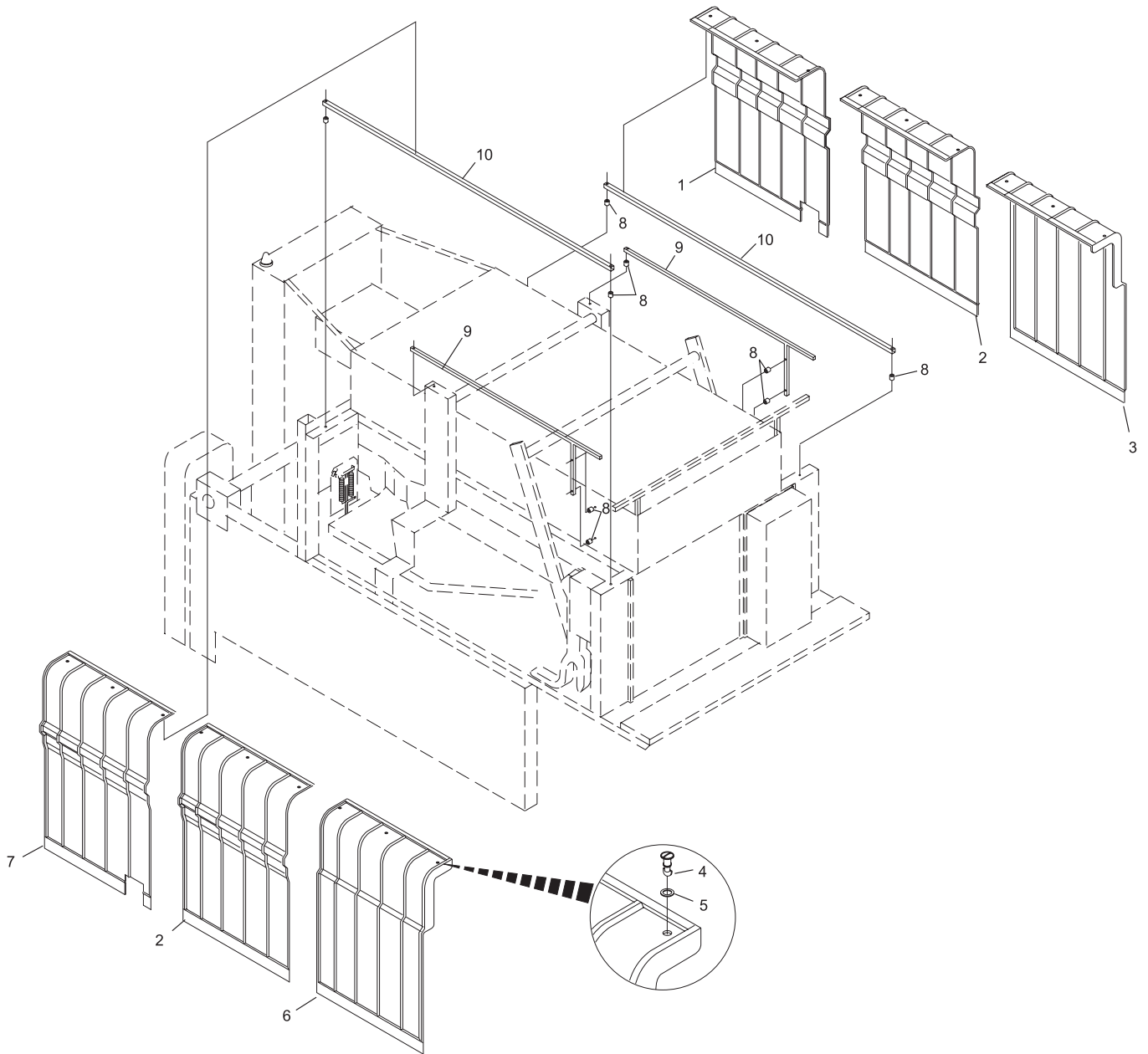
Index No.	Part No.	Description
1.	47-085312-003	Angle Bracket
2.	47-085313-003	Lower Bracket
3.	47-085182-003	Guard, left-end (from the foul line)
4.	47-085189-003	Guard, Double (common kickback)
5.	47-085191-003	Guard, right-end (from the foul line)
6.	47-084958-004	Plastic Wire Channel
7.	47-084950-004	Warning Label (Ball Detect)
8.	11-055101-001	Hex Head Cap Screw (9 mm x 20 mm)

V-Belt Guard



V-Belt Guard

Index No.	Part No.	Description
1.	47-085571-009	Rear Guard - Right - Complete
2.	47-085570-009	Middle Guard - Complete
3.	47-085574-009	Front Guard - Right - Complete
4.	47-085550-004	Quicklock Fastener
5.	47-085499-004	Retaining Ring
6.	47-085573-009	Front Guard - Left - Complete
7.	47-085572-009	Rear Guard - Left - Complete
8.	47-085490-004	Spacer
9.	47-085569-009	Guard Rail
10.	47-085492-004	Guard Support

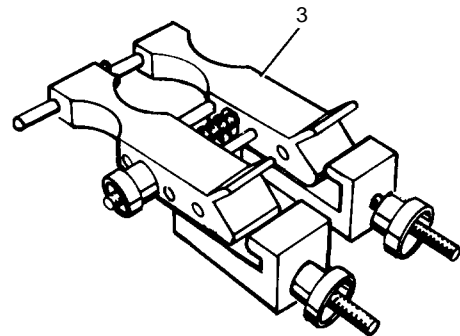
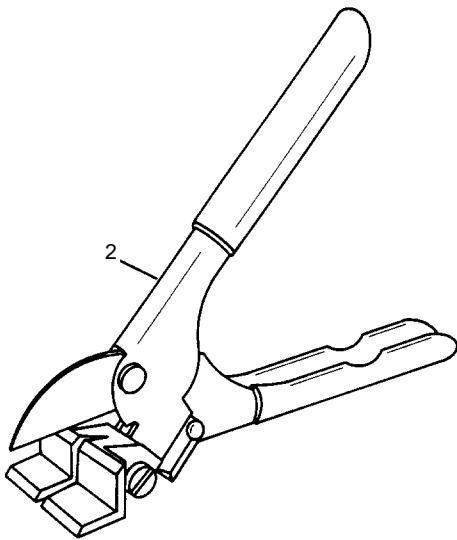
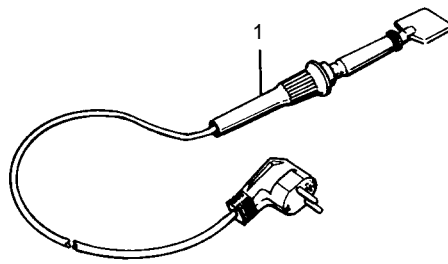


**Machine Guard
(Machine Series 443 and Above)**

Index No.	Part No.	Description
1.	N.A.	Belt Welding Iron (110V)
	47-094208-004	Belt Welding Iron (220V)
2.	47-093876-004	Belt Cutter
3.	47-862770-000	Round Belt Welding Clamp
4.	*47-094206-004	Belt Welding Kit - 115VAC (includes index Nos. 1, 2, and 3)
	*47-093877-004	Belt Welding Kit - 230VAC (includes index Nos. 1, 2, and 3)

N.A. = No Longer Available

** Not Illustrated*



Belt Welding Kit and Belt Cutter

Index No.	Part No.	Description
1.	47-225723-004	Dual Light Assembly - without Bulbs or Power Supply/Control Unit (230/380 Volt)
	47-225722-004	Dual Light Assembly - without Bulbs or Power Supply/Control Unit (208 Volt)
2.	47-203146-000	Bulb - White
3.	99-220385-004	Bulb - Black (Pkg. of 6)
4.	99-220366-004	Relay (24VAC)
5.	47-225254-003	Power Supply/Control Unit
6.	47-225263-004	Controller Cable
7.	47-203147-000	Starter (230/380 volt pinsetters only)
8.	47-225732-004	Electronic Ballast (208 Volt)

