

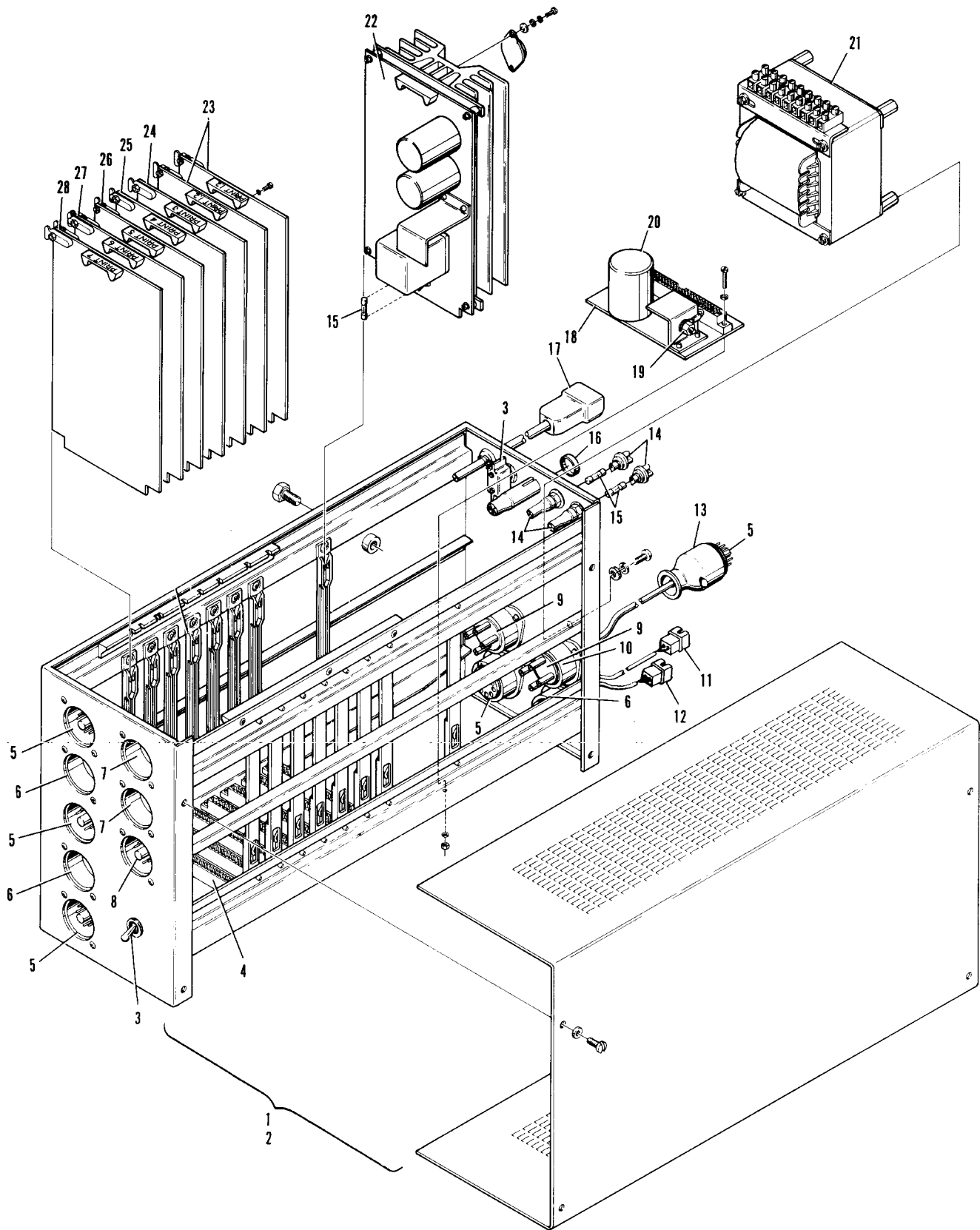
Section L

RED BOX ELECTRICAL

Index No.	Part No.	Description
1.	*47-200471-002	Low Voltage Box Assembly Complete
2.	*47-203137-000	Low Voltage Box Assembly without PCBs
3.	N.A.	Toggle Switch
4.	N.A.	PCB Socket
5.	47-223105-000	Amphenol Plug (11 position)
6.	N.A.	Amphenol Socket (11 position)
7.	47-203139-000	Amphenol Socket (6 position)
8.	47-213135-000	Amphenol Plug (8 position)
9.	N.A.	Amphenol Plug (4 position)
10.	N.A.	Amphenol Plug Support
11.	N.A.	Amphenol Receptacle with Contacts for B-2000
12.	47-242940-003	Cable with Molex Socket
13.	47-223108-000	Amphenol Cap
14.	N.A.	Fuse Holder
15.	47-203141-000	Fuse
16.	N.A.	Signal Lamp
17.	N.A.	Line Plug
18.	47-203005-003	PCB Number 9 Assembly
19.	N.A.	Diode
20.	N.A.	Capacitor
21.	46-200582-004	Transformer
22.	45-200107-004	PCB number 8 (power supply)
23.	47-200431-002	PCB numbers 1 & 2
24.	47-200432-002	PCB number 3
25.	47-200433-002	PCB number 4
26.	47-200434-002	PCB number 5
27.	47-200435-002	PCB number 6
28.	47-200436-002	PCB number 7

N.A. = No Longer Available

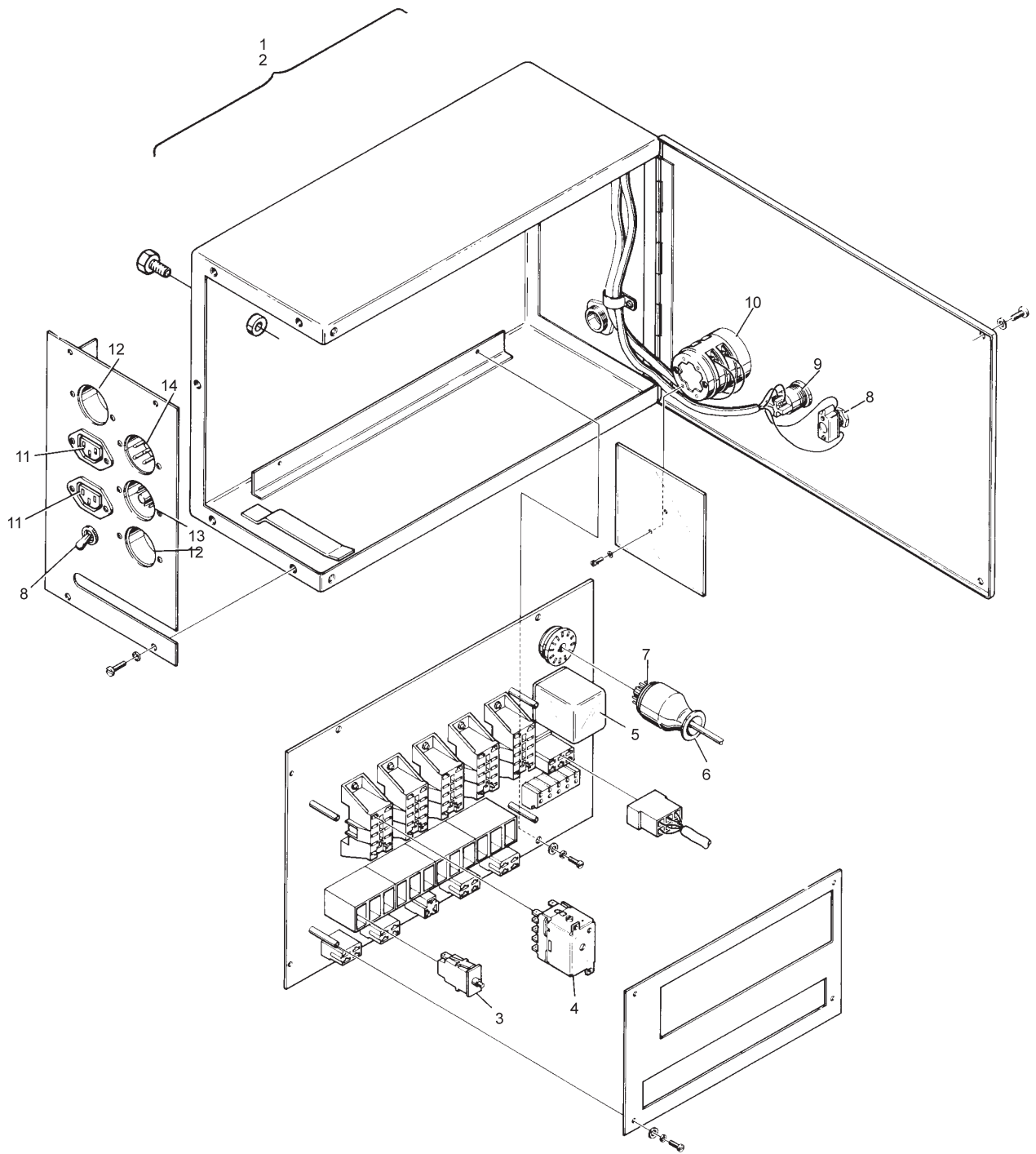
** With cables for B-2000 and AS-80, Position 7.*



Low Voltage Electrical Box

Index No.	Part No.	Description
1.	47-210475-002	High Voltage Box Assembly Complete (380V)
2.	47-213122-000	High Voltage Box Assembly Complete (220V)
3.	47-213123-000	Overload Breaker (1.0 Amp)
	47-213124-000	Overload Breaker (1.5 Amp)
	47-213125-000	Overload Breaker (1.8 Amp)
	47-213126-000	Overload Breaker (2.0 Amp)
	47-213127-000	Overload Breaker (2.5 Amp)
	47-213128-000	Overload Breaker (3.5 Amp)
4.	47-213129-000	Contactactor
5.	47-213130-000	Relay
6.	47-223108-000	Amphenol Cap
7.	47-223105-000	Connector
8.	N.A.	Toggle Switch
9.	47-213132-000	Push Button
10.	47-213133-000	Main Switch
11.	N.A.	Line Socket
12.	N.A.	Connector
13.	N.A.	Connector
14.	N.A.	Connector

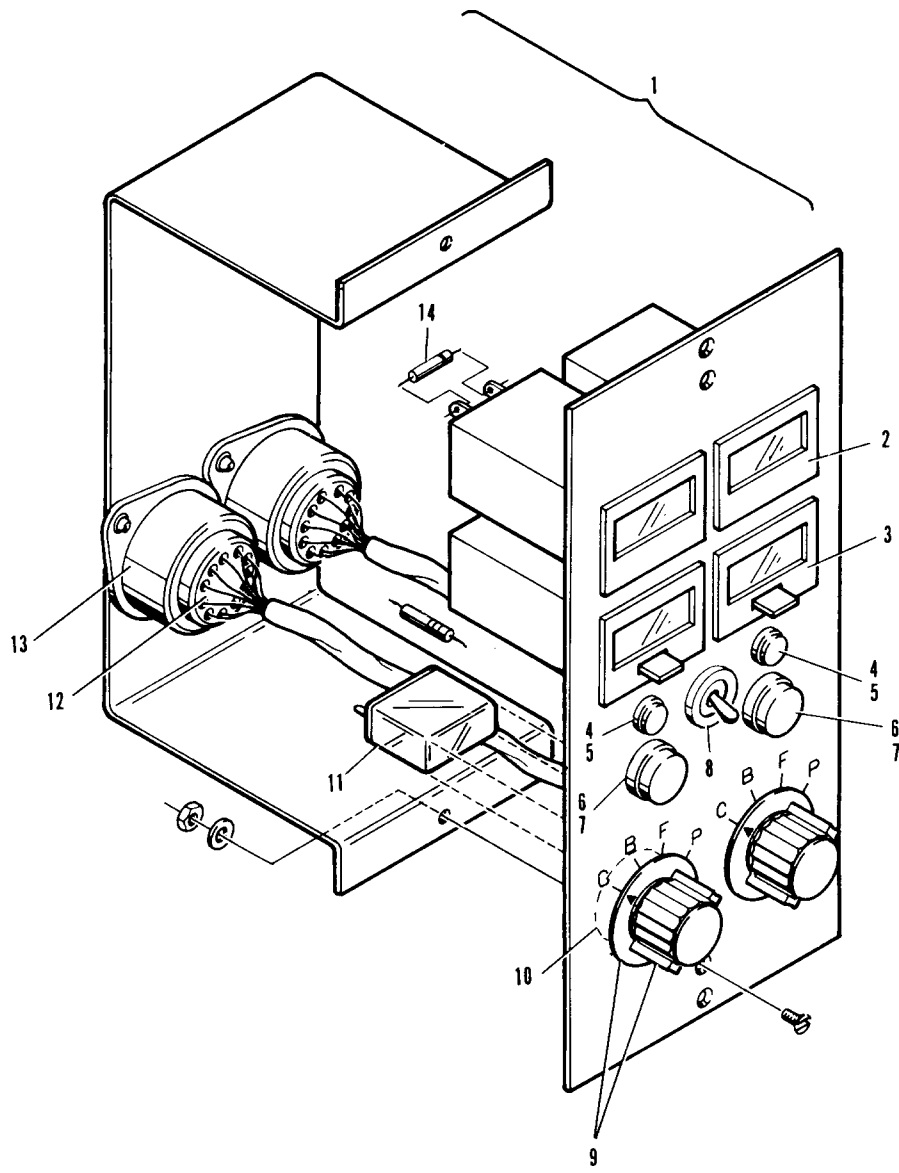
N.A. = No Longer Available



High Voltage Electrical Box

Index No.	Part No.	Description
1.	N.A.	Manager's Control Assembly Complete
2.	47-223093-000	Counter (non-resettable)
3.	47-223094-000	Counter (resettable)
4.	47-223095-000	Failure Lamp Assembly with Bulb
5.	47-223096-000	Failure Lamp Bulb
6.	47-223097-000	Push Button Assembly with Lamp
7.	47-223098-000	On-Off Lamp
8.	N.A.	Toggle Switch
9.	47-223100-000	Switch Knob Assembly
10.	47-223103-000	Rotary Switch
11.	47-223104-000	Relay
12.	47-223105-000	Connector
13.	N.A.	Plug Support
14.	47-223106-000	Diode

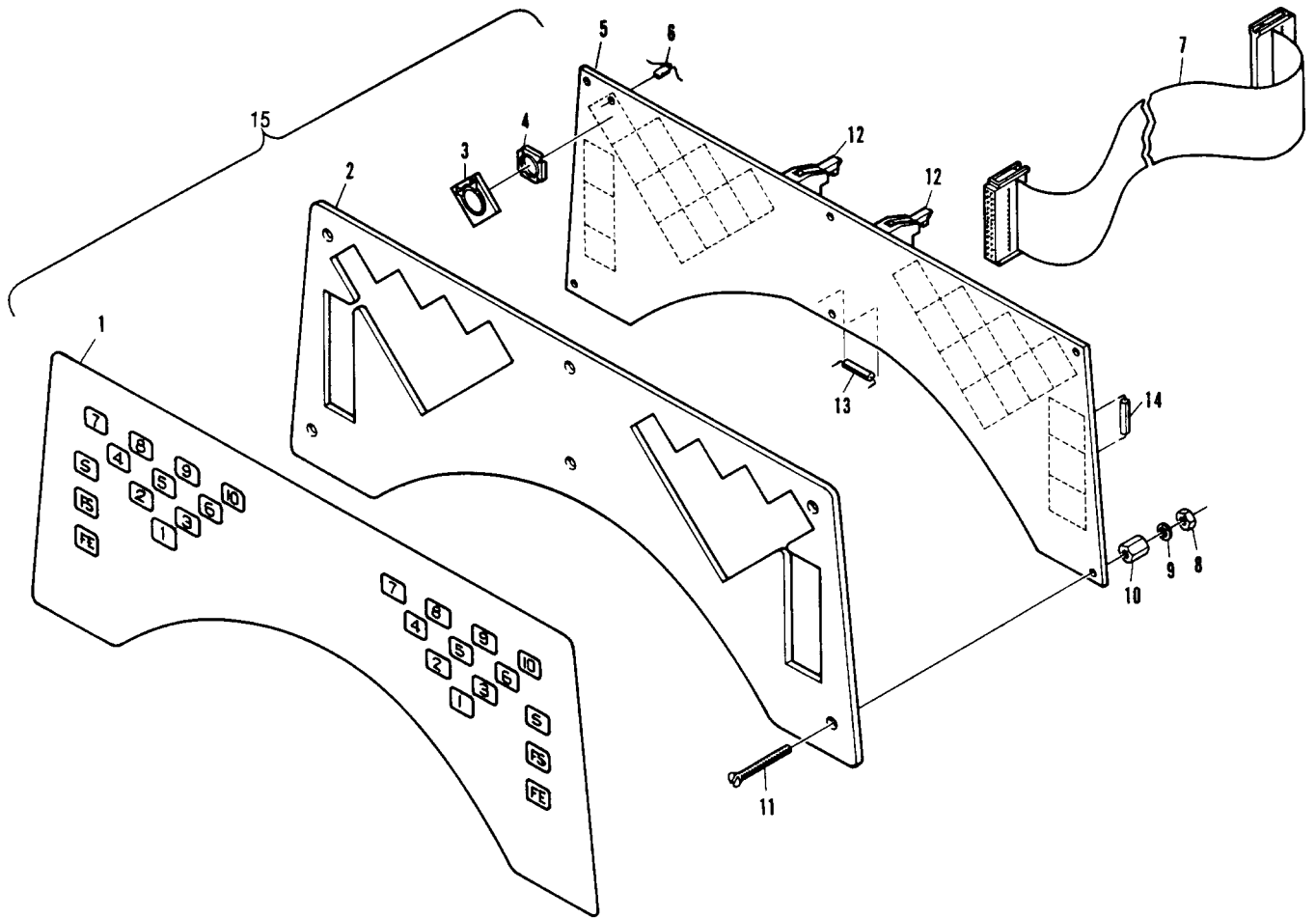
**Manager's Control
Red Box Electrical**



**Manager's Control
Red Box Electrical**

Index No.	Part No.	Description
1.	47-223049-001	Screening Foil
2.	47-223048-001	Spacer Plate
3.	47-223113-000	Key
4.	47-223114-000	Switch
5.	47-223046-002	Printed Circuit Board Assembly
6.	47-223115-000	LED
7.	47-223064-004	Flat Cable
8.	11-051746-001	Locknut (3 mm)
9.	11-052055-001	Flat Washer (3.2 mm x 7 mm x 0.5 mm)
10.	47-223118-000	Spacing Bolt (3 mm x 8 mm)
11.	11-052457-001	Std. Flat Hd. Machine Screw (3 mm x 30 mm)
12.	N.A.	Connector
13.	47-223121-000	Resistor
14.	47-223106-000	Diode
15.	47-223050-002	Player Control Board Complete

N.A. = No Longer Available

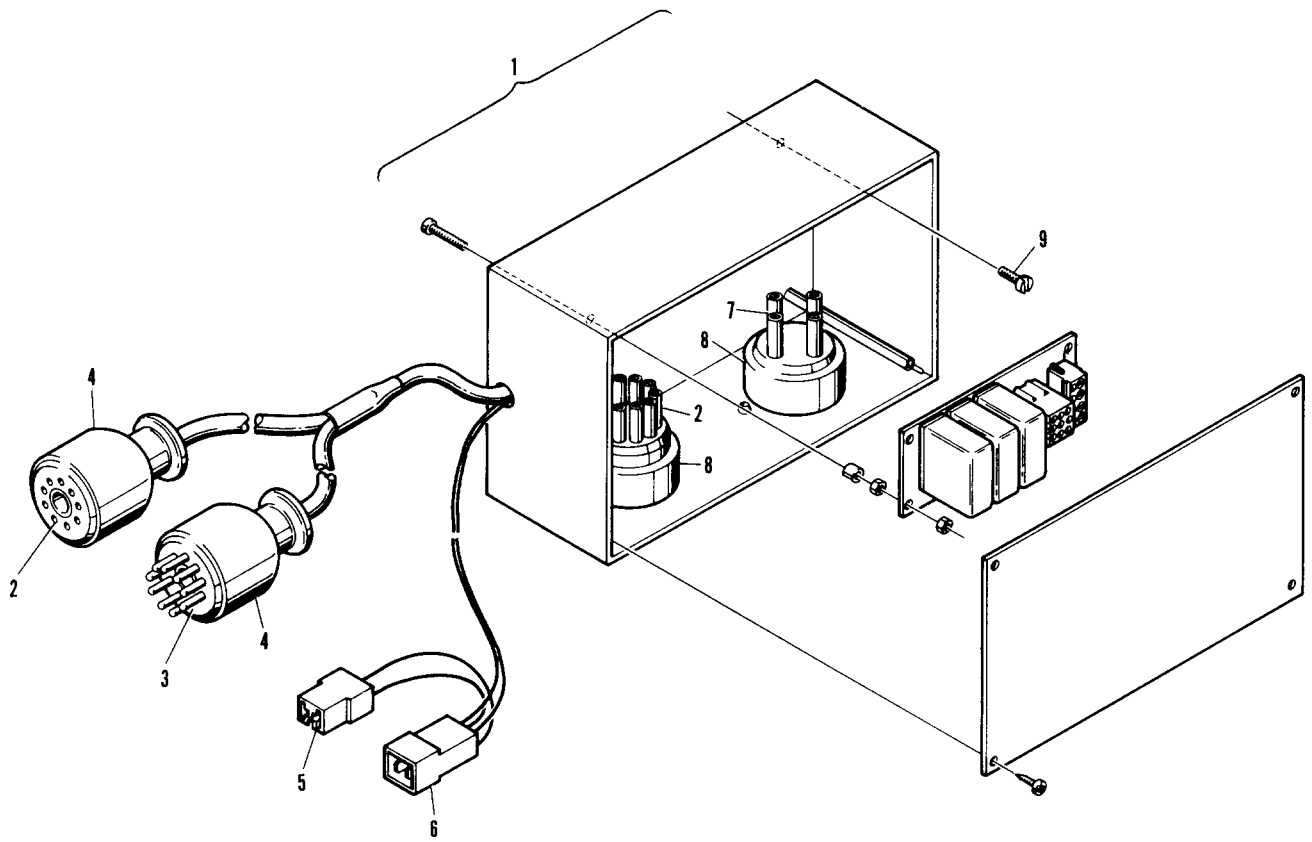


Player Control Unit

Index No.	Part No.	Description
1.	47-223004-004	Player Control Box Assembly Complete
2.	N.A.	Connector
3.	47-223105-000	Connector
4.	47-223108-000	Amphenol Cap
5.	N.A.	Connector
6.	N.A.	Connector
7.	N.A.	Connector
8.	N.A.	Plug Support
9.	N.A.	Self-Tapping Screw (3.5 mm x 9.5 mm)

N.A. = No Longer Available

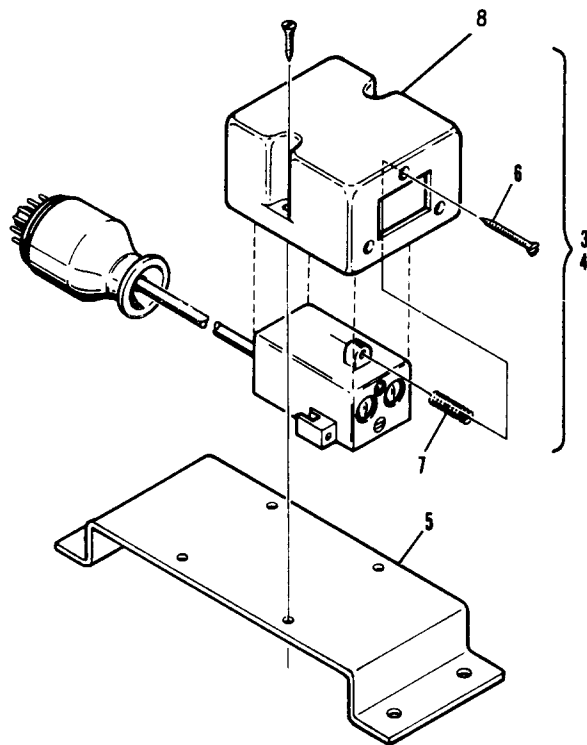
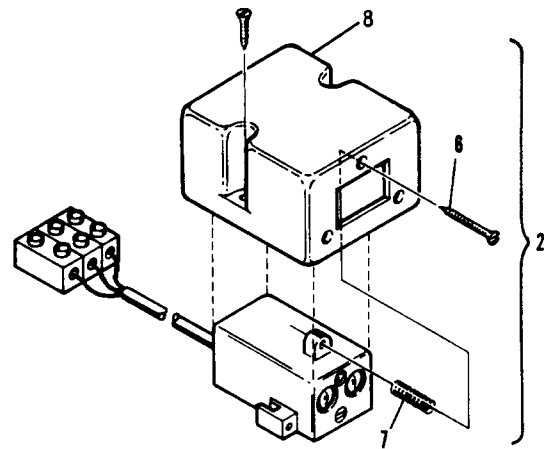
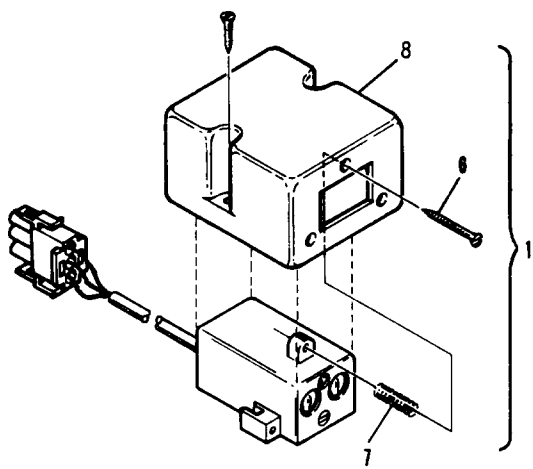
Player Control Connector Box



Player Control Connector Box

Index No.	Part No.	Description
1.	99-080224-004	Foul Photocell 0.3m Cable (with AS-80)
2.	99-080243-004	Replacement Kit for Trigger & Foul Photocell 0.12m Cable (with or without AS-80)
3.	99-080215-004	Trigger Photocell 3.6m cable (with or with o AS-80)
4.	99-080216-004	Foul Photocell 22m Cable (without AS-80)
5.	N.A.	Support Bracket
6.	N.A.	Flat Hd. Self Tapping Screw (2.9 mm x 25 mm)
7.	99-080180-004	Spring
8.	99-080186-003	Housing

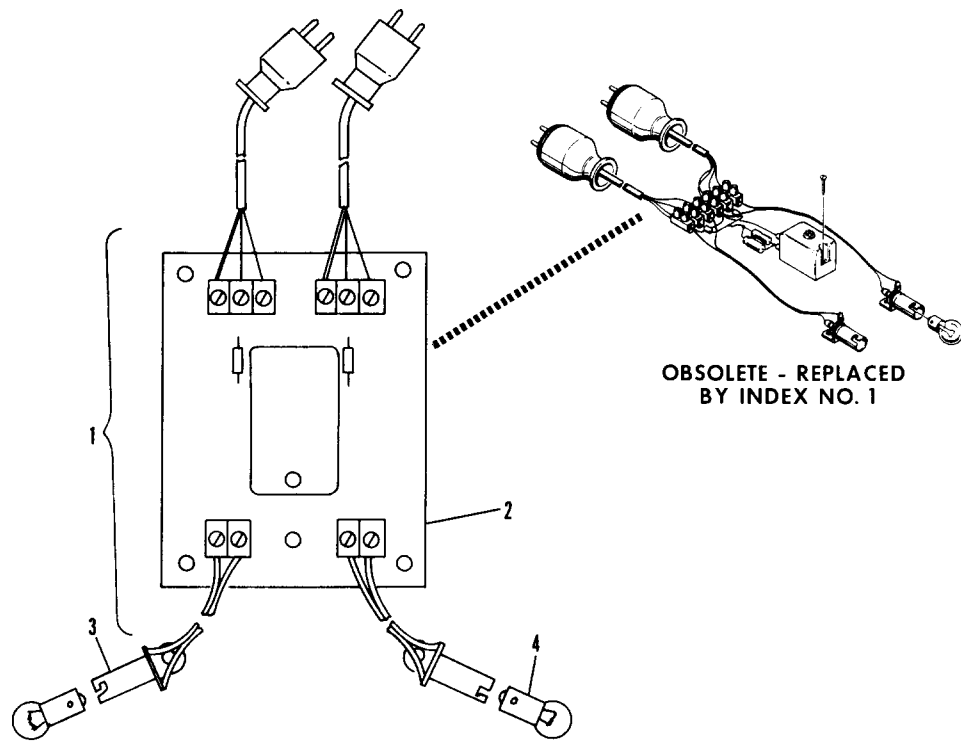
N.A. = No Longer Available



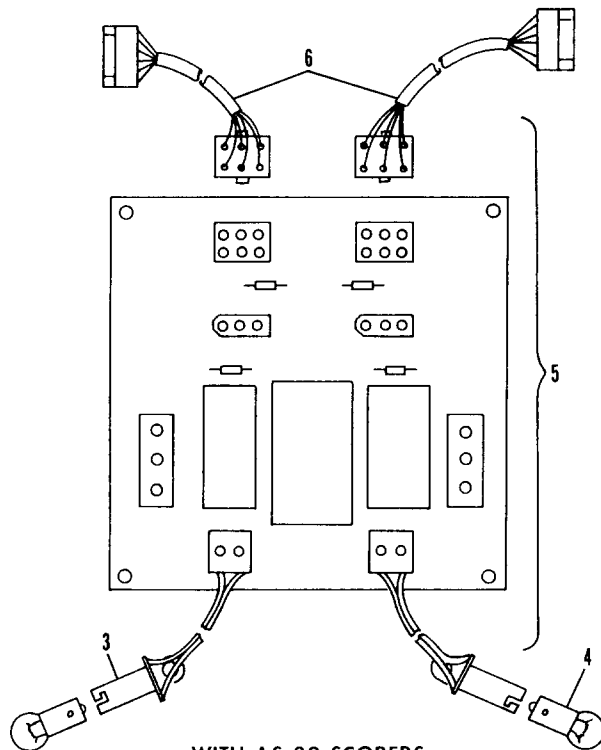
Foul and Trigger Photocells

Index No.	Part No.	Description
1.	N.A.	B-2000 Tel-E-Foul Assembly with Cables Complete
2.	47-223068-004	PCB Assembly
3.	N.A.	Lamp Socket
4.	47-223091-000	Lamp
5.	47-223057-004	PCB Assembly
6.	47-242944-000	Cable

N.A. = No Longer Available



WITHOUT AS-80 SCORERS



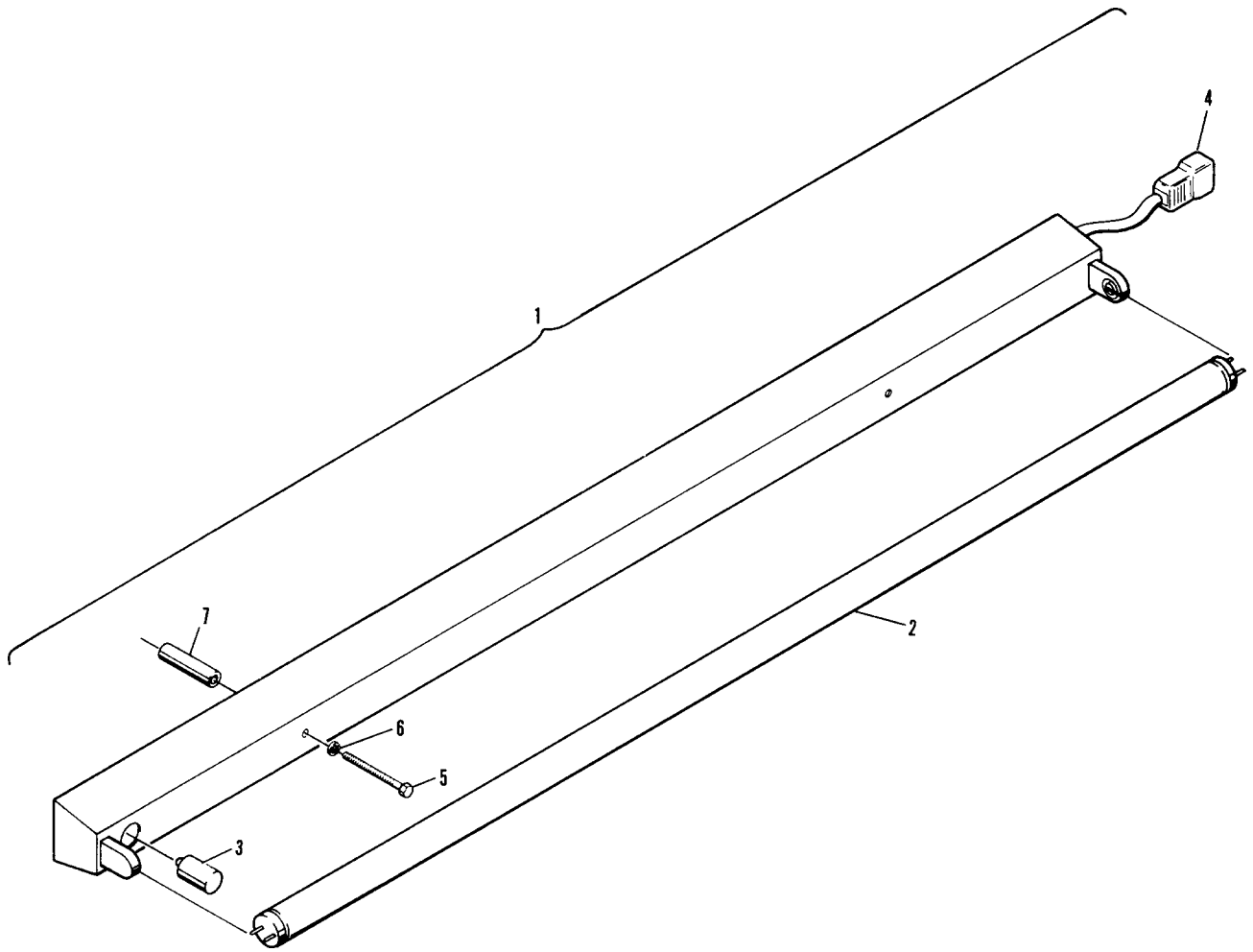
WITH AS-80 SCORERS

Tel-E-Foul Connection Boards

Index

No.	Part No.	Description
1.	47-223074-004	Pin Light Assembly Complete (red box)
2.	47-203146-000	Lamp
3.	47-203147-000	Starter
4.	N.A.	Plug
5.	11-051060-001	Hex Hd. Cap Screw (6 mm x 70 mm)
6.	11-051769-001	Lockwasher (6 mm)
7.	47-083699-004	Spacer

N.A. = No Longer Available.

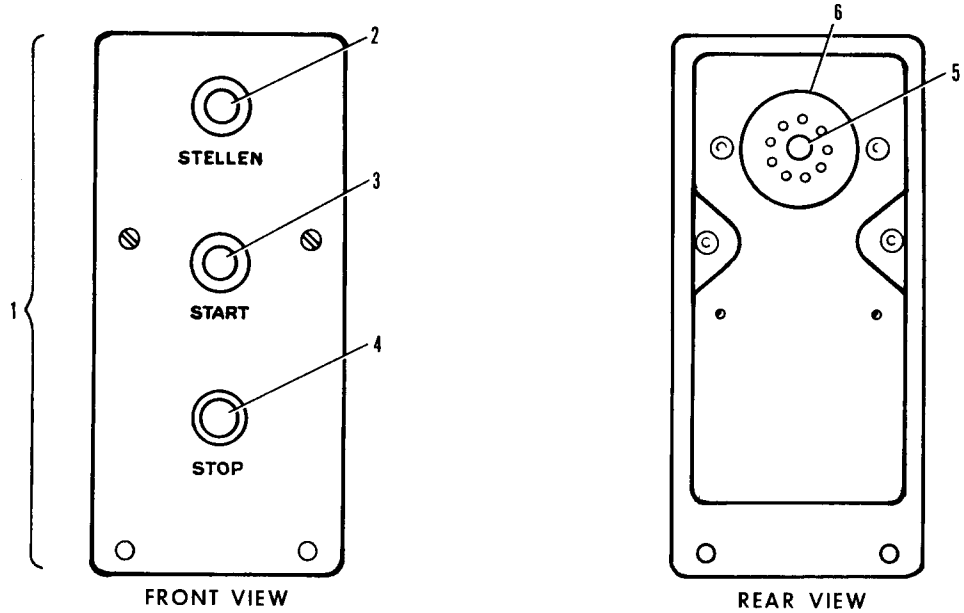


Pin Light Assembly

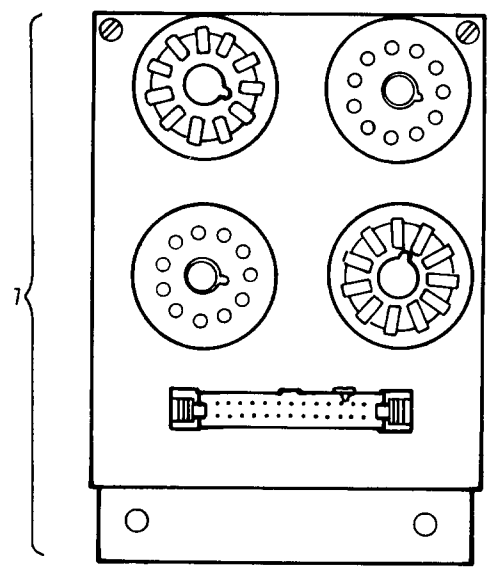
Index No.	Part No.	Description
1.	47-201385-004	Remote Control Box Assembly
2.	47-203148-000	Push Button (green)
3.	47-203149-000	Push Button (black)
4.	47-203150-000	Magnetic Switch Assembly
5.	47-223105-000	Amphenol Plug (11 Pin)
6.	N.A.	Amphenol Plug Support
7.	N.A.	Connection Board Assembly

N.A. = No Longer Available

Remote (Rear) Control Box and Connection Board Assembly



REMOTE (REAR) CONTROL BOX

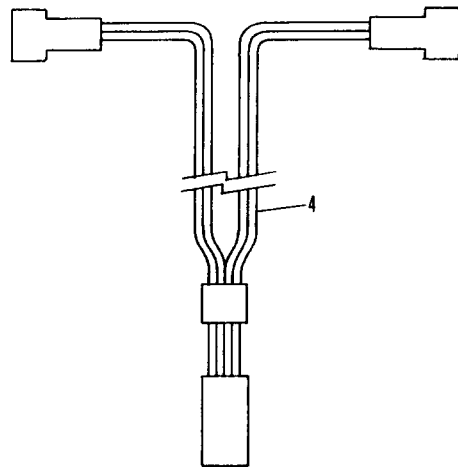
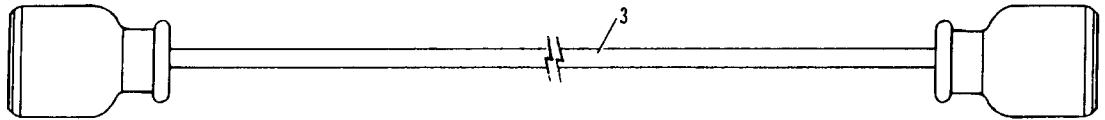
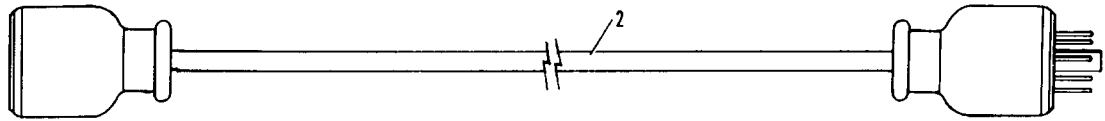
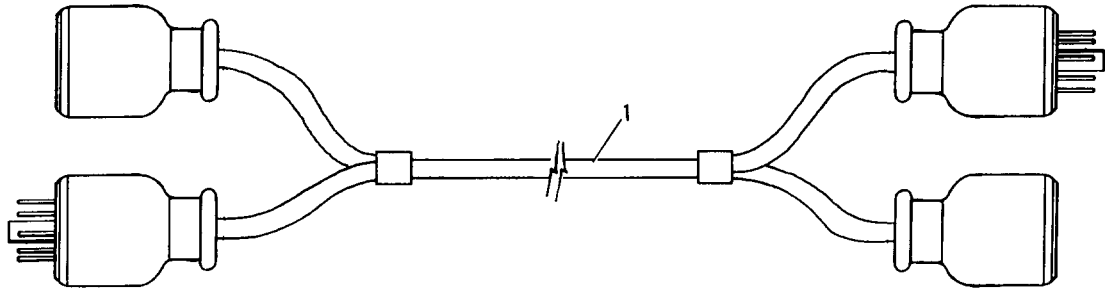


CONNECTION BOARD ASSEMBLY

Remote (Rear) Control Box and Connection Board Assembly

Index No.	Part No.	Description
1.	N.A.	Lane Cable, (22 pin, 30m long)
2.	N.A.	Lane Cable, (11 pin, 30m long)
3.	45-240163-004	Common Cable for Accelerator, (2 pin, 4m long)
4.	47-223013-004	Ball Rack Common Cable

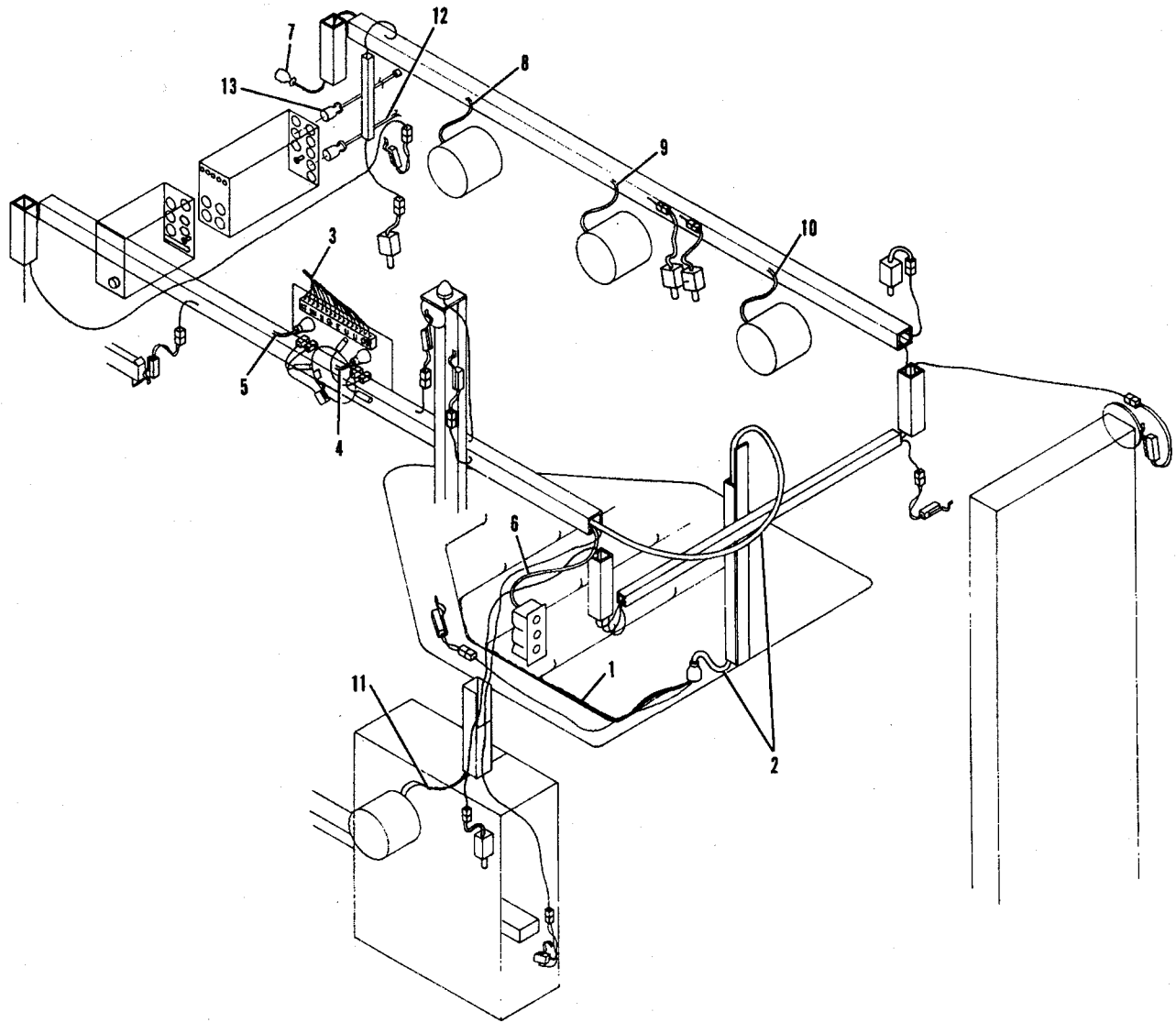
N.A. = No Longer Available



Forward Cables

Index No.	Part No.	Description
1.	47-241387-004	Setting Table Harness (red box) - 3 pin connector
2.	47-241379-004	Setting Table Connection Cable
3.	47-241375-004	Switch Cable Harness (E,G,H,KK,U1 & U2)
4.	47-241377-004	KSE Cable, (8 pin)
5.	47-241395-004	KSS Cable, (11 pin)
6.	47-223061-004	T2 Cable, (11 pin)
7.	47-241376-004	Solenoid Cable Harness
8.	47-223011-004	Elevator Motor Cable
9.	47-223010-004	Sweep Motor Cable
10.	47-223009-004	Table Motor Cable
11.	47-223012-004	Accelerator Motor Cable
12.	47-243017-004	Lane Cable Adaptor (key)
13.	47-243016-004	Photocell Adaptor

Machine Cables



Machine Cables