

Section F

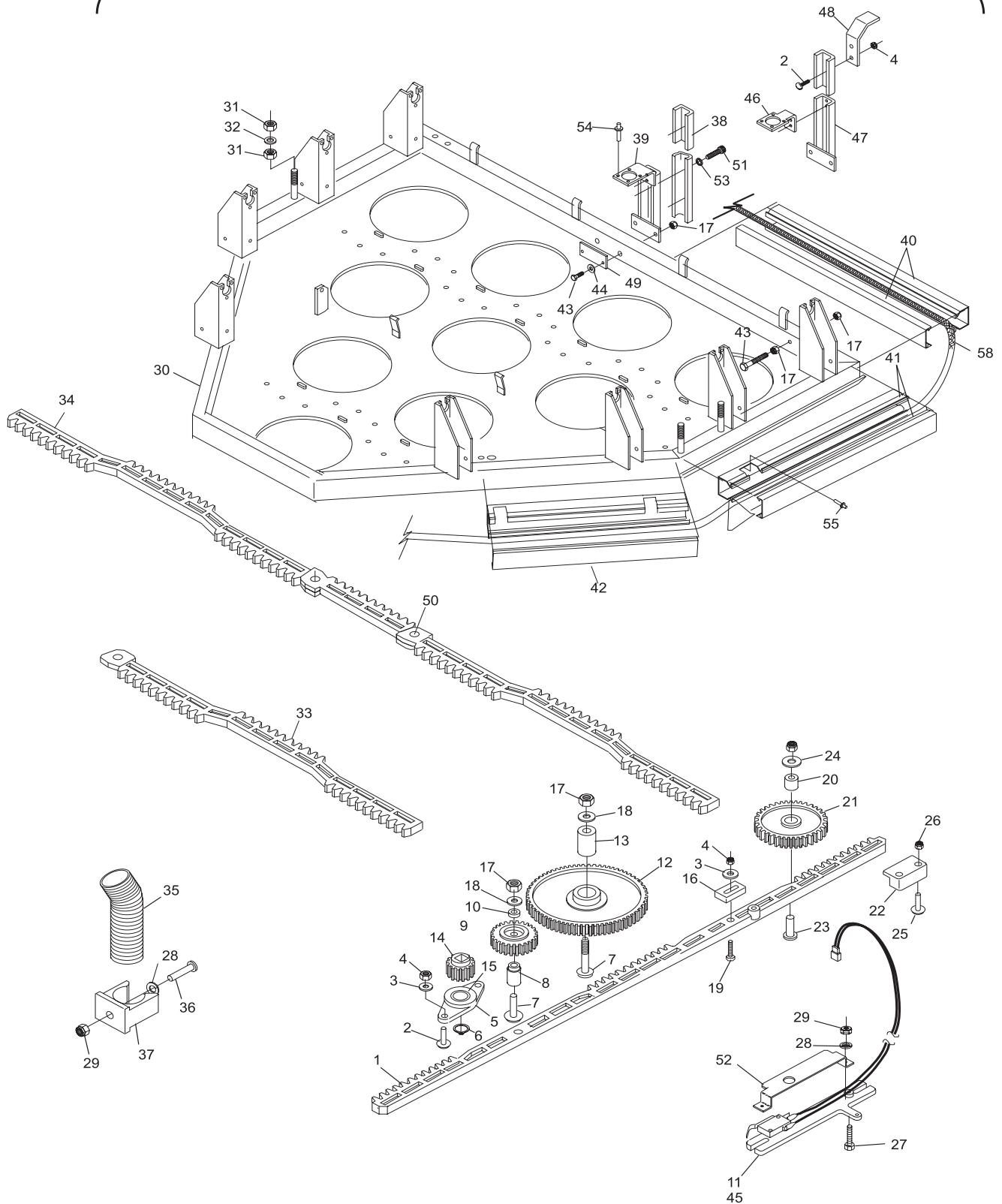
SETTING TABLE

Index No.	Part No.	Description
1.	47-051635-001	Geared Rack
2.	11-051880-001	Truss Hd. Machine Screw (6 mm x 16 mm)
3.	11-052008-001	Flat Washer (6.4 mm x 12.5 mm x 1.6 mm)
4.	11-051743-001	Locknut (6 mm)
5.	47-051625-004	Shaft Support
6.	11-051855-001	Retaining Ring (10)
7.	11-051878-001	Truss Hd. Machine Screw (8 mm x 45 mm)
8.	47-052021-004	Spacer Bushing
9.	47-052020-004	Gear
10.	47-052022-004	Spacer Ring
11.	99-050230-004	Switch Complete (red box)
12.	47-051616-004	Gear
13.	47-051617-004	Spacer Bushing
14.	47-071615-004	Square Shaft Gear
15.	11-430048-000	Bearing
16.	47-051682-004	Stop
17.	11-051744-001	Locknut (8 mm)
18.	11-052003-001	Flat Washer (8.4 mm x 17 mm x 1.6 mm)
19.	11-051028-001	Hex Hd. Cap Screw (6 mm x 25 mm)
20.	47-051633-004	Spacer Bushing
21.	47-051632-004	Gear
22.	47-051634-004	Holder
23.	11-051877-001	Truss Hd. Machine Screw (6 mm x 25 mm)
24.	11-052037-001	Flat Washer (6.4 mm x 18 mm x 1.6 mm)
25.	11-052362-001	Slted. Pan Hd. Machine Screw (5 mm x 20 mm)
26.	11-051742-001	Locknut (5 mm)
27.	11-052353-001	Slted. Pan Hd. Machine Screw (4 mm x 16 mm)
28.	11-052021-001	Flat Washer (4.3 mm x 12 mm x 1 mm)
29.	11-051741-001	Locknut (4 mm)
30.	47-051875-001	Setting Table Frame
31.	11-051707-001	Hex Nut (16 mm)
32.	11-051774-001	Lockwasher (16 mm)
33.	47-051565-002	Toothed Rack (front)
34.	47-053513-009	Toothed Rack Complete (center)
35.	N.A.	Flexible Plastic Conduit (20 mm x 380 mm)
36.	11-052209-001	Slted. Pan Hd. Screw (4 mm x 16 mm)
37.	47-054279-004	Conduit Clamp
38.	47-052396-004	Cable Channel
39.	47-052395-003	Plug Holder Bracket
40.	47-052425-003	Cable Channel
41.	47-052423-003	Cable Channel
42.	47-052424-003	Cable Channel
43.	11-051085-001	Hex Hd. Cap Screw (8 mm x 45 mm)
44.	11-051770-001	Lockwasher (8 mm)
45.	47-243027-004	Switch Complete (silver, consolidated and nexgen electronics box)
	99-050330-003	Bracket Only
46.	47-051203-004	Plug Holder
47.	* N.A.	Cable Channel
48.	47-051522-004	Cable Guide
49.	47-051261-004	Stiffening Plate
50.	11-050301-000	Countersunk Hd. Rivet
51.	11-051509-001	Socket Hd. Cap Screw (6 mm x 12 mm)
52.	47-053812-004	Switch Protector
53.	11-051769-001	Lockwasher (6 mm)
54.	11-053661-000	Rivet (3.2 mm x 9.5 mm)
55.	11-053660-000	Rivet (3.2 x 7.4 mm)
56.	N.A.	Setting Table Assembly Complete (GS-10 and GS-92, includes Pinholders, Spotting Tongs, & Cables)
57.	N.A.	Setting Table Assembly (GS-96 w/Smart Shark, includes Pinholders, Spotting Tongs, & Cables)
58.	47-243025-003	Setting Table Harness Complete (silver box, 4-pin connector)

N.A. = No Longer Available

* Replaced by Index Nos. 38 and 39.

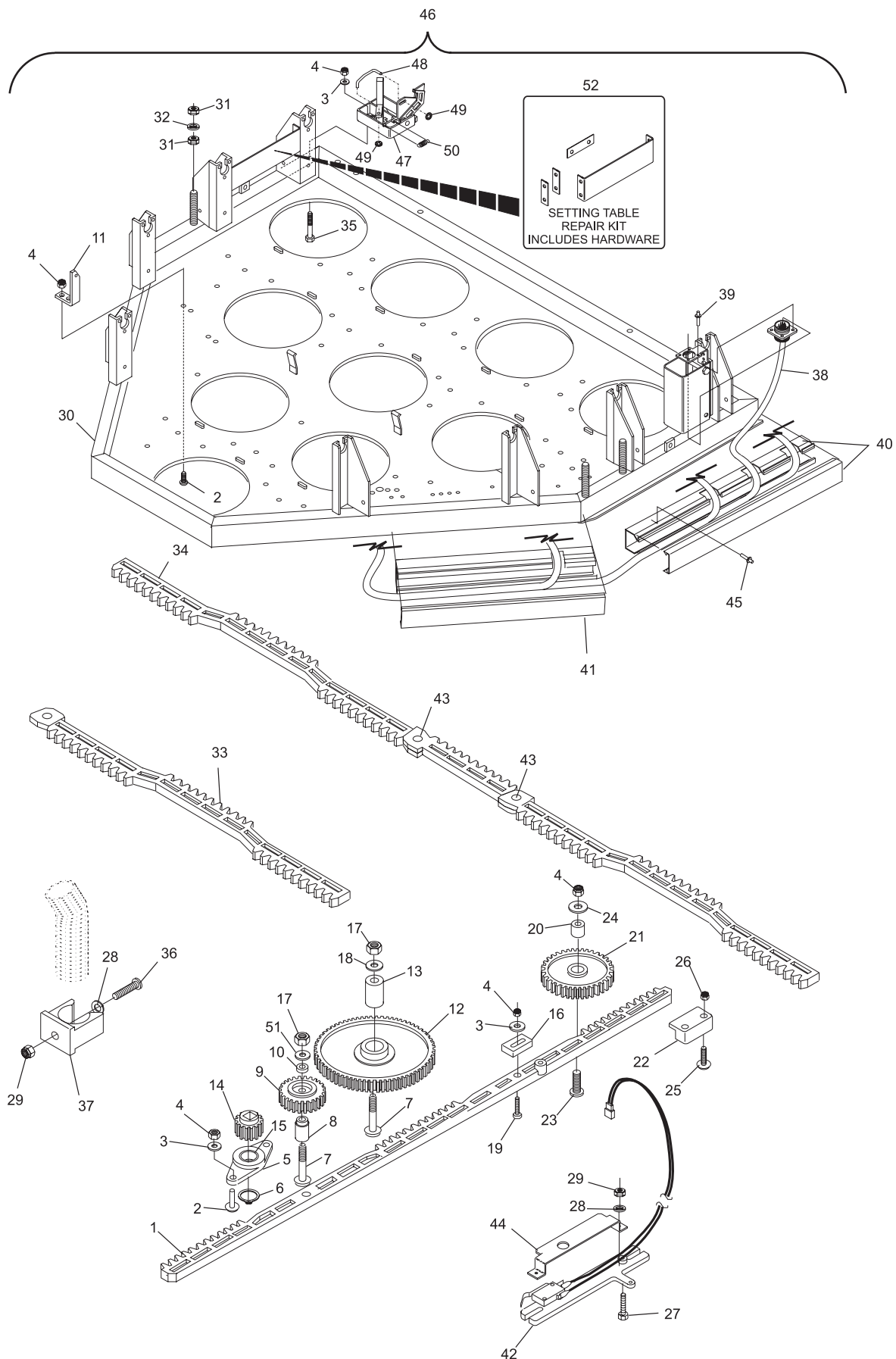
GS-10 - GS-98 Setting Table and Gears



GS-10 - GS-98 Setting Table and Gears

Index No.	Part No.	Description
1.	47-051635-001	Geared Rack
2.	11-051880-001	Truss Hd. Machine Screw (6 mm x 16 mm)
3.	11-052008-001	Flat Washer (6.4 mm x 12.5 mm x 1.6 mm)
4.	11-051743-001	Locknut (6 mm)
5.	47-051625-004	Shaft Support
6.	11-051855-001	Retaining Ring (10)
7.	11-051878-001	Truss Hd. Machine Screw (8 mm x 45 mm)
8.	47-052021-004	Spacer Bushing
9.	47-052020-004	Gear
10.	47-052022-004	Spacer Ring
11.	47-055347-004	Spring Holder Bracket
12.	47-051616-004	Gear
13.	47-051617-004	Spacer Bushing
14.	47-071615-004	Square Shaft Gear
15.	11-430048-000	Bearing
16.	47-051682-004	Stop
17.	11-051744-001	Locknut (8 mm)
18.	11-052019-001	Flat Washer (8.4 mm x 24 mm x 2 mm)
19.	11-051817-001	Truss Hd. Machine Screw (6 mm x 25 mm)
20.	47-051633-004	Spacer Bushing
21.	47-051632-004	Gear
22.	47-051634-004	Holder
23.	11-051877-001	Socket Hd. Machine Screw (6 mm x 25 mm)
24.	11-052037-001	Flat Washer (6.4 mm x 18 mm x 1.6 mm)
25.	11-052362-001	Slted. Pan Hd. Machine Screw (5 mm x 20 mm)
26.	11-051742-001	Locknut (5 mm)
27.	11-052353-001	Slted. Pan Hd. Machine Screw (4 mm x 16 mm)
28.	11-052021-001	Flat Washer (4.3 mm x 12 mm x 1 mm)
29.	11-051741-001	Locknut (4 mm)
30.	47-055177-001	Setting Table Frame
31.	11-051707-001	Hex Nut (16 mm)
32.	11-051774-001	Lockwasher (16 mm)
33.	47-051565-002	Toothed Rack (front)
34.	47-053513-009	Toothed Rack Complete (center)
35.	11-051060-001	Hex Head Cap Screw (6 mm x 70 mm)
36.	11-052209-001	Slted. Pan Hd. Machine Screw (4 mm x 16 mm)
37.	47-054279-004	Conduit Clamp
38.	47-245164-001	Setting Table Harness - Complete
39.	11-053661-000	Pop Rivet (3.2 mm x 9.5 mm)
40.	47-055169-003	Cable Channel - long
41.	47-055170-003	Cable Channel - short
42.	47-243027-004	Switch - complete
	99-050330-003	Bracket Only
43.	11-050301-000	Countersunk Head Rivet
44.	47-053812-004	Switch Protector
45.	11-053660-000	Pop Rivet (3.2 mm x 7.4 mm)
46.	47-055166-009	GS-X Setting Table Assembly - Complete (includes Pinholders, Spotting Tongs, and Cables)
47.	47-055150-009	Latch Assembly
48.	47-055138-004	Link
49.	11-053476-001	Quicklock Clip
50.	47-051782-004	Spring
51.	11-052017-001	Washer (8.4 mm)
52.	47-275620-009	Setting Table Repair Kit

**GS-X/CPO Setting Table and Gears
(Series 424 and Above)**

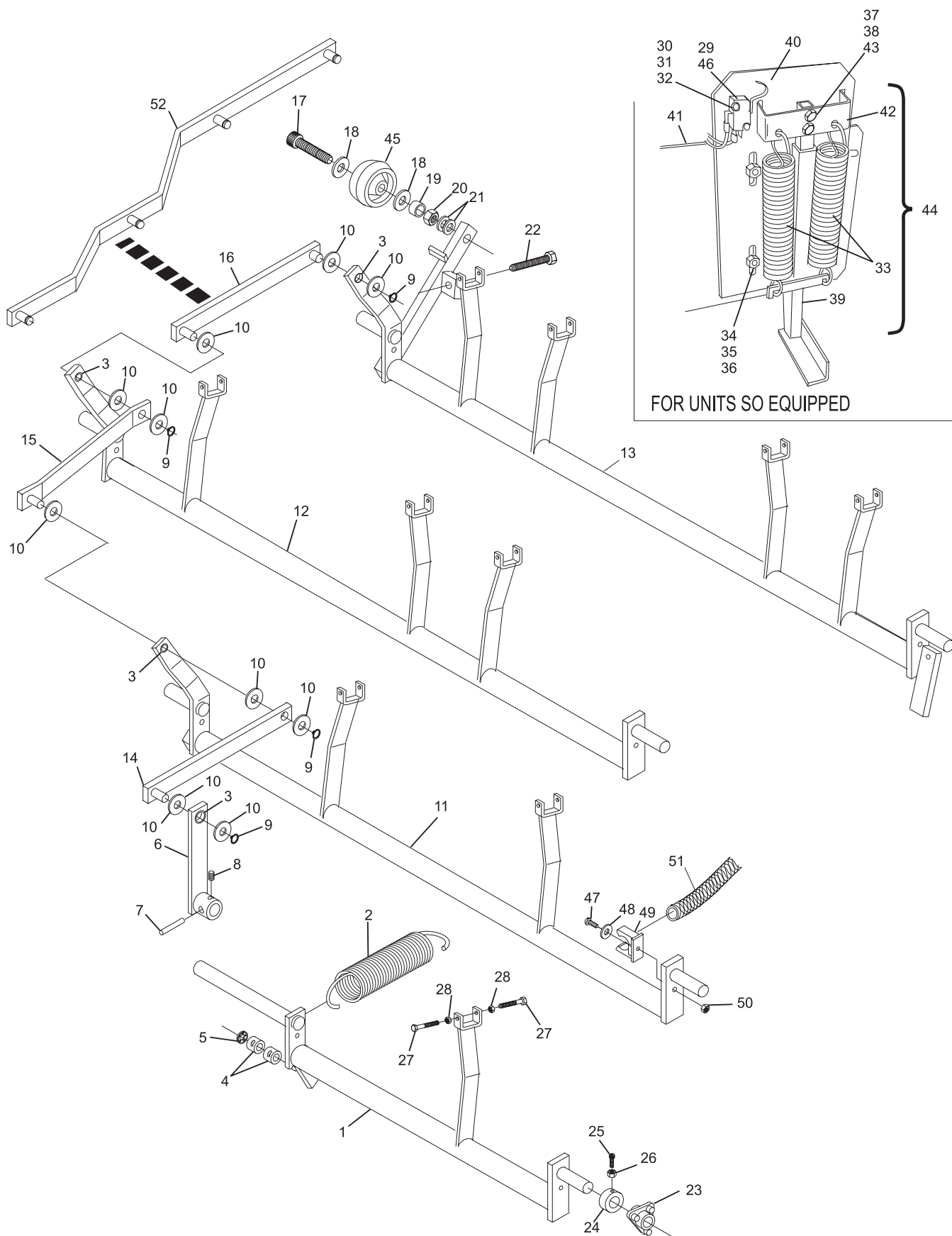


**GS-X/CPO Setting Table and Gears
(Series 424 and Above)**

Index No.	Part No.	Description
1.	47-051658-002	No. 1 Swing Shaft
2.	47-052240-004	Table Spring
3.	99-010124-004	Bearing
4.	47-041813-004	Bushing
5.	11-053480-001	Starlock (10 mm)
6.	47-051660-004	Pivot Lever
7.	11-052678-001	Rolled Pin (5 mm x 36 mm)
8.	11-052801-001	Set Screw (6 mm x 6 mm)
9.	11-051851-001	Retaining Ring (12 mm)
10.	11-054101-001	Spacer Washer (12 mm x 24 mm x .5 mm)
11.	47-051657-002	No. 2 Swing Shaft
12.	47-051656-002	No. 3 Swing Shaft
13.	47-051655-002	No. 4 Swing Shaft
14.	N.A.	No. 1 Connecting Rod
15.	N.A.	No. 2 Connecting Rod
16.	N.A.	No. 3 Connecting Rod
17.	11-051545-001	Socket Hd. Cap Screw (12 mm x 70 mm)
18.	11-052024-001	Flat Washer (13 mm x 30 mm x 1.6 mm)
19.	47-051681-004	Spacer
20.	11-051706-001	Hex Nut (12 mm)
21.	11-052032-001	Flat Washer (13 mm x 20 mm x 2 mm)
22.	11-051012-001	Hex Hd. Cap Screw (10 mm x 70 mm)
23.	46-050305-004	Bearing
24.	11-053619-001	Stop Collar (20 mm x 32 mm x 14 mm)
25.	11-051514-001	Socket Hd. Cap Screw (6 mm x 16 mm)
26.	11-051702-001	Hex Nut (6 mm)
27.	11-051027-001	Hex Hd. Cap Screw (5 mm x 40 mm)
28.	11-051701-001	Hex Nut (5 mm)
29.	47-073534-004	Switch (red box)
30.	11-053352-001	Pan Hd. Screw (3 mm x 20 mm)
31.	11-052055-001	Flat Washer (3.2 mm x 7 mm x .5 mm)
32.	11-051746-001	Locknut (3 mm)
33.	47-081654-004	Spring
34.	11-052003-001	Flat Washer (8.4 mm x 17 mm x 1.6 mm)
35.	11-051010-001	Hex Hd. Cap Screw (8 mm x 20 mm)
36.	11-051744-001	Locknut (8 mm)
37.	11-051001-001	Hex Hd. Cap Screw (6 mm x 12 mm)
38.	11-051769-001	Lockwasher (6.1 mm x 11.8 mm x 1.6 mm)
39.	47-082398-004	Table Jam Switch Actuator Arm
40.	47-082397-003	Switch Plate
41.	47-082324-003	Bracket
42.	47-082329-004	Table Jam Switch Actuator Spring Bracket
43.	47-082331-004	Nut Plate
44.	47-082323-001	Table Jam Switch Assembly Complete
45.	47-051295-004	Roller
46.	47-243028-004	Switch (silver, consolidated and nexgen electronics box)
47.	11-052209-001	Slotted Cheese Head Screw (4 mm x 16 mm)
48.	11-052021-001	Flat Washer (4.3 mm x 12 mm x 4 mm)
49.	47-054279-004	Conduit Clamp
50.	11-051741-001	Locknut (4 mm)
51.	N.A.	Flexible Plastic Conduit (20 mm x 380 mm)
52.	47-055116-003	One-Piece Connecting Rod

N.A. = No Longer Available

GS-10 - GS-98 Setting Table Swing Shafts

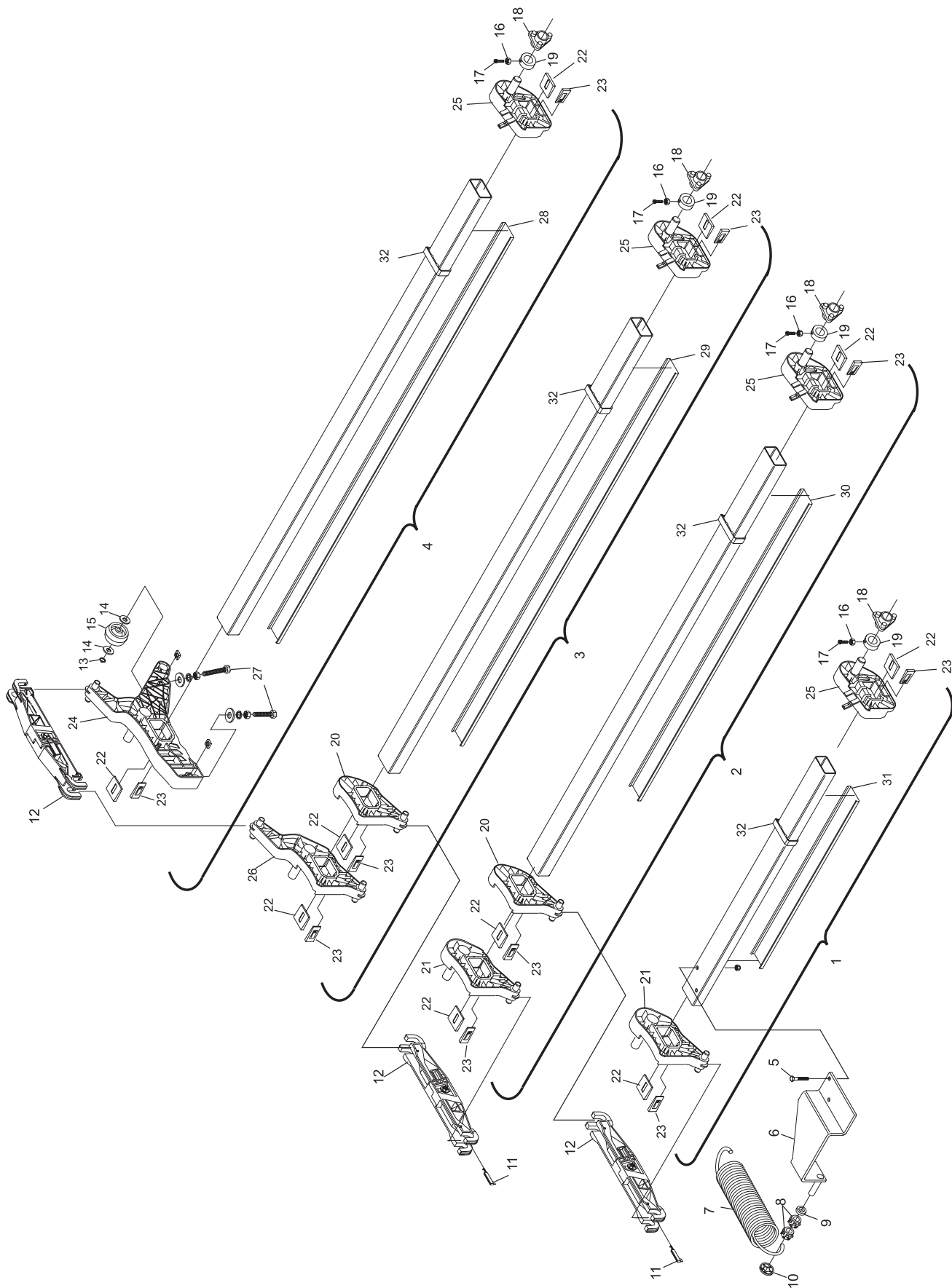


GS-10 - GS-98 Setting Table Swing Shafts

Index No.	Part No.	Description
1.	47-055316-002	Shaft Assembly
2.	47-055318-002	Shaft Assembly
3.	47-055324-002	Shaft Assembly
4.	47-055326-002	Shaft Assembly
5.	11-051007-001	Hex Hd. Cap Screw (6mm x 40 mm)
6.	47-055321-003	Spring Bracket
7.	47-052240-004	Spring
8.	47-041813-004	Roller
9.	47-071162-004	Spacer
10.	11-053480-001	Starlock
11.	47-054997-003	Pin
12.	47-055002-002	Link Assembly
13.	11-051851-000	Snpring (12 mm x 1 mm)
14.	11-052024-001	Washer (13 mm x 30 mm x 1.6 mm)
15.	47-051295-004	Roller
16.	11-051522-001	Socket Hd. Cap Screw (5 mm x 16 mm)
17.	11-051701-001	Hex Nut (5 mm)
18.	46-050305-004	Bearing
19.	47-055009-004	Stop Collar
20.	47-054992-002	Lever
21.	47-054991-001	Lever
22.	47-055320-003	Wedge (large)
23.	47-055319-003	Wedge (small)
24.	47-054989-001	Lever (7-10 pin)
25.	47-054993-001	Lever
26.	47-054990-001	Lever
27.	11-051054-001	Hex Head Cap Screw (8 mm x 60 mm)
28.	47-055332-004	Channel Cover (1030 mm)
29.	*N/A	Channel Cover (920 mm)
30.	*N/A	Channel Cover (720 mm)
31.	*N/A	Channel Cover (370 mm)
32.	47-055327-001	Stop Clamp

• *Order 47-055332-004 Channel Cover (1030 mm).
Cut to fit, if necessary.*

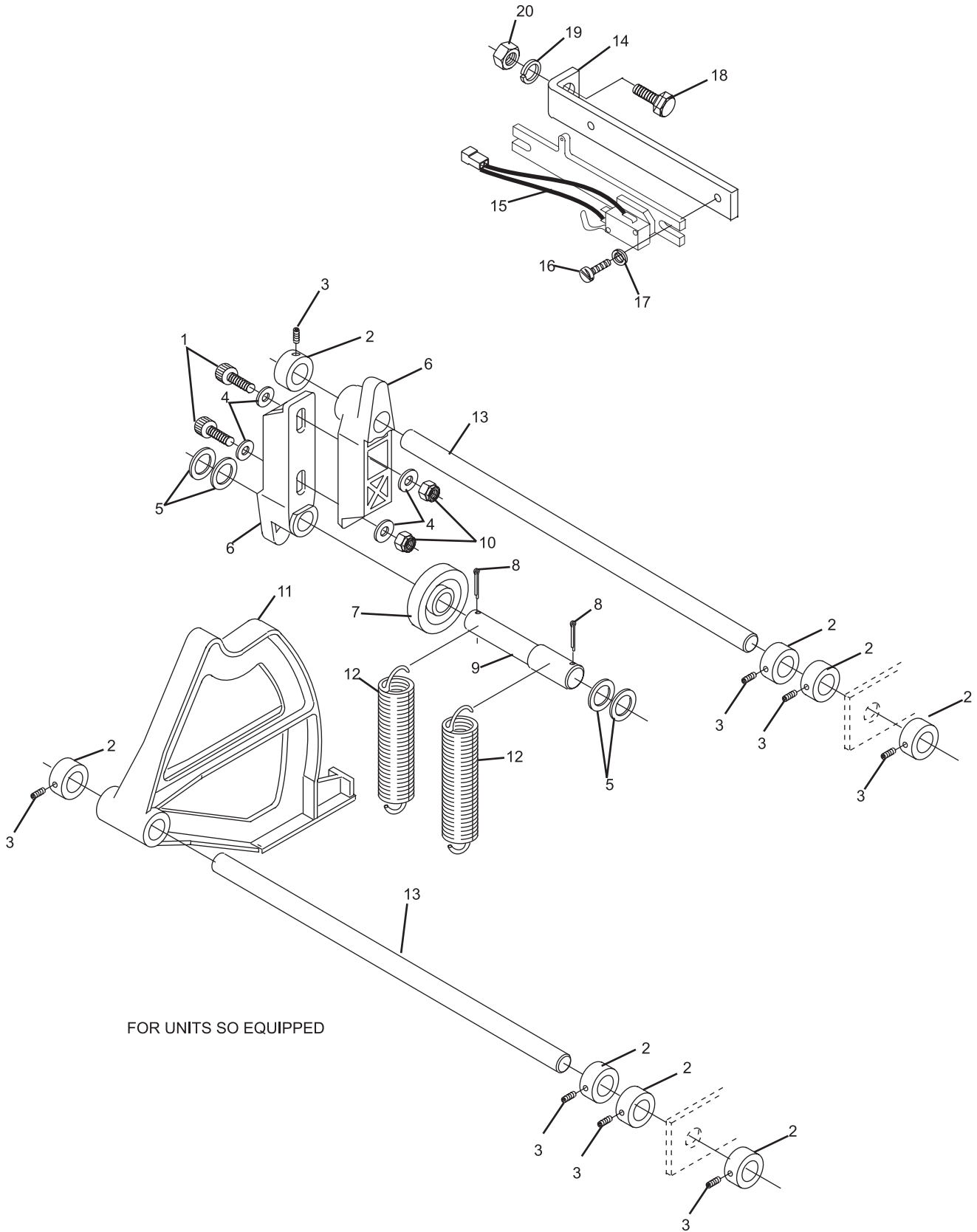
GS-X/CPO Setting Table Swing Shafts



GS-X/CPO Setting Table Swing Shafts

Index No.	Part No.	Description
1.	11-051515-001	Socket Hd. Cap Screw (6 mm x 18 mm)
2.	11-053616-001	Stop Collar
3.	11-052801-001	Set Screw (6 mm x 6 mm)
4.	11-052048-001	Flat Washer (6.4 mm x 16 mm x 1.6 mm)
5.	11-052036-001	Flat Washer (15 mm x 24 mm x 2 mm)
6.	47-081650-004	Roller Lever
7.	47-081651-004	Roller Wheel
8.	11-051786-001	Split Pin (2.5 mm x 25 mm)
9.	47-081652-004	Roller Shaft
10.	11-051743-001	Locknut (6 mm)
11.	47-081649-002	Cam
12.	47-081654-004	Cam Spring
13.	47-080744-004	Shaft
14.	47-081771-004	Switch Bracket
15.	99-050230-004	Switch w/Connector Complete
16.	11-052201-001	Slotted Machine Screw (4 mm x 10 mm)
17.	11-052025-001	Flat Washer (4.3 mm x 9 mm x .8 mm)
18.	11-051038-001	Hex Hd. Cap Screw (8 mm x 16 mm)
19.	11-051770-001	Lockwasher (8 mm)
20.	11-051704-001	Hex Nut (8 mm)

GS-10 Setting Table Switch Cam Assembly



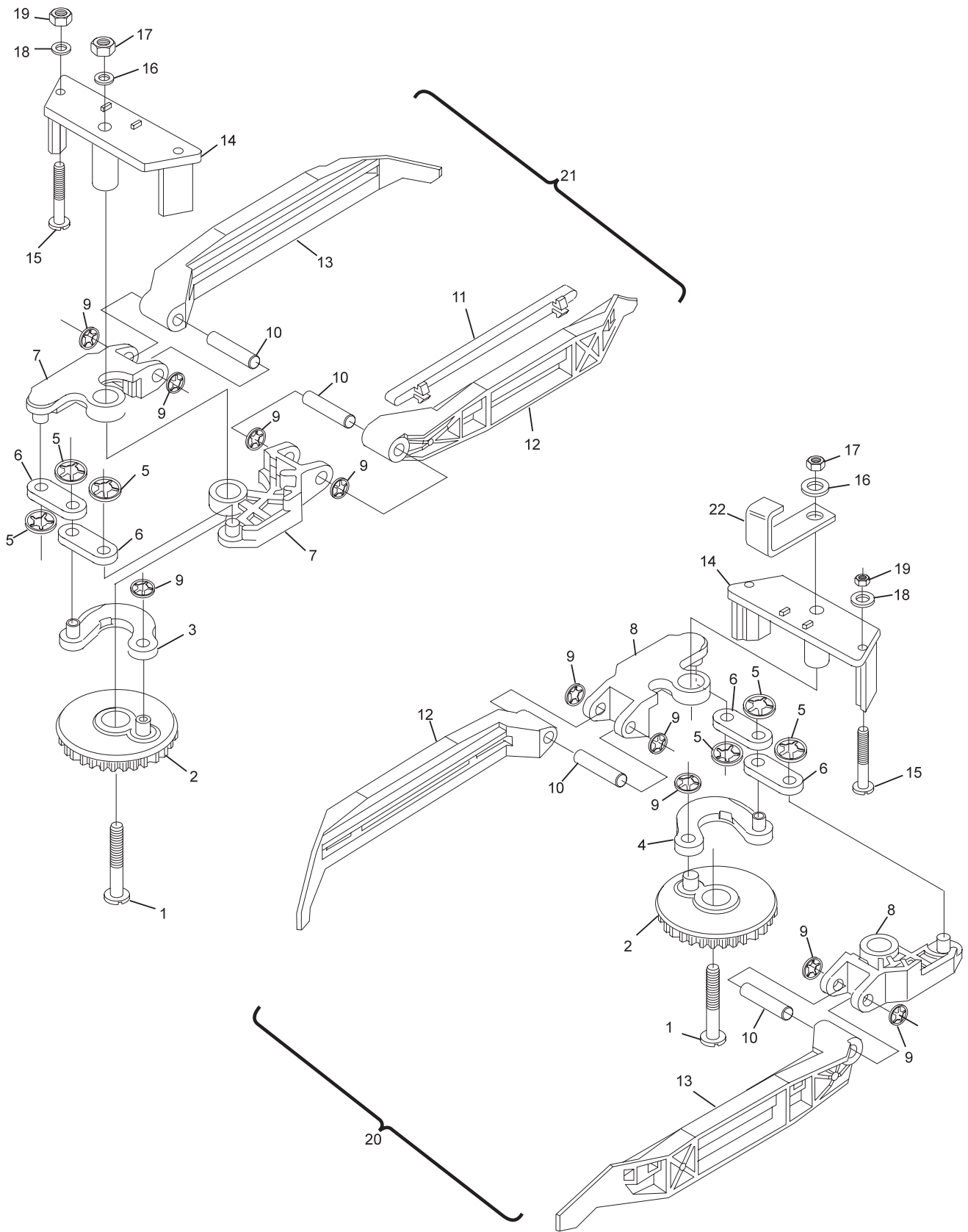
GS-10 Setting Table Switch Cam Assembly

Index No.	Part No.	Description
1.	11-052351-001	Slted. Pan Hd. Machine Screw (6 mm x 55 mm)
2.	47-051760-003	Gear
3.	47-051755-003	Connector
4.	47-053767-003	Connector
5.	11-053479-001	Starlock (9 mm)
6.	47-051762-004	Connecting Link
7.	47-051759-004	Pivot Wing
8.	47-053783-004	Pivot Wing
9.	11-053478-001	Starlock (8 mm)
10.	47-051761-004	Shaft
11.	47-051758-003	Damper
12.	47-051757-003	Tong
13.	47-053782-003	Tong
14.	47-051756-004	Deck Plate
15.	11-052355-001	Slted. Pan Hd. Machine Screw (5 mm x 55 mm)
16.	11-052048-001	Flat Washer (6.4 mm x 16 mm x 1.6 mm)
17.	11-051743-001	Locknut (6 mm)
18.	11-052005-001	Flat Washer (5.3 mm x 10 mm x 1 mm)
19.	11-051742-001	Locknut (5 mm)
20.	*N.A.	Spotting Tong Complete (pin stations 1,4,5 & 6)
21.	**N.A.	Spotting Tong Complete (pin stations 2,3,7,8,9, and 10)
22.	47-051575-004	Pin Stop - GS98

* Complete Assembly replaced by 47-055117-009 - also order 1 each 11-054459-000 Screw

** Complete Assembly replaced by 47-055118-009 - also order 1 each 11-054459-000 Screw

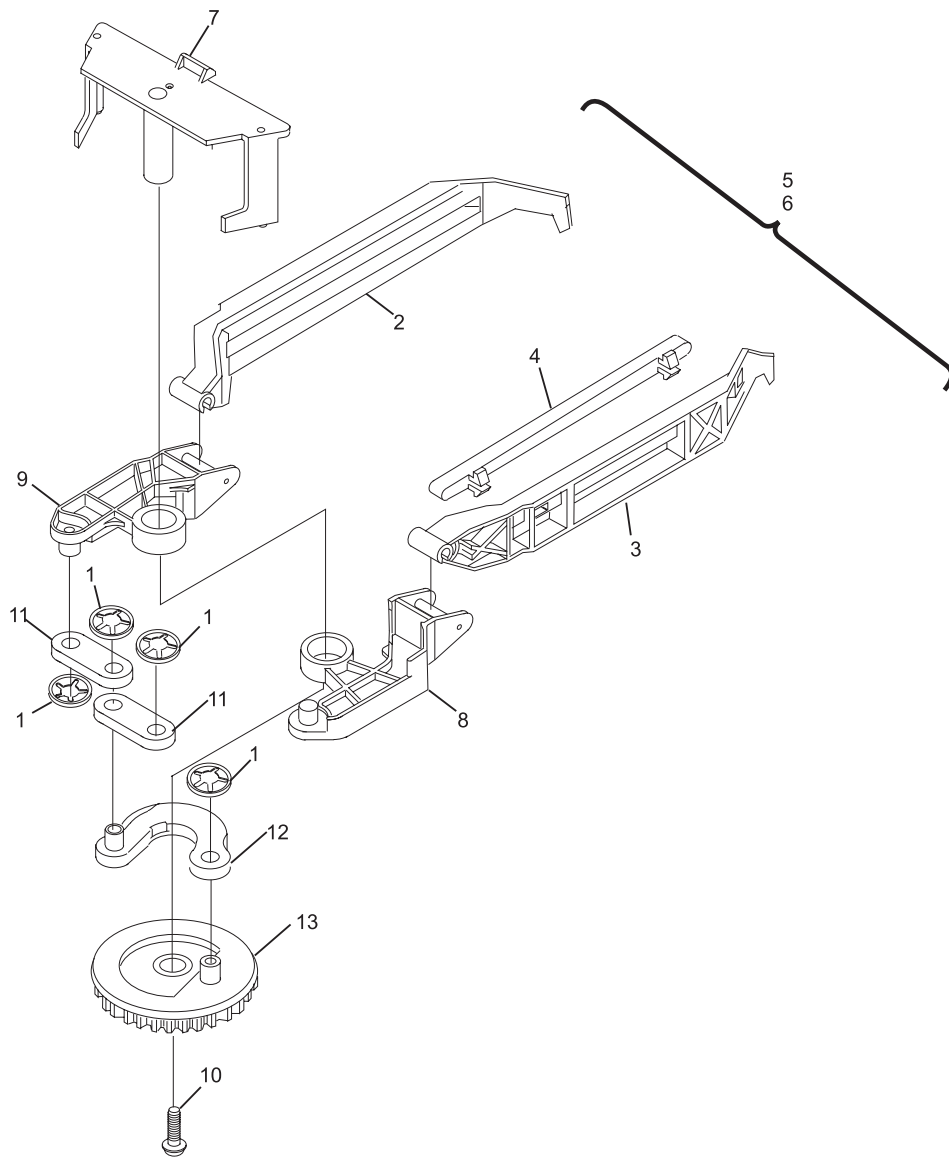
GS-10 - GS-98 Spotting Tong Assemblies



GS-10 - GS-98 Spotting Tong Assemblies

Index No.	Part No.	Description
1.	11-053478-001	Starlock (8 mm)
2.	47-054896-002	Tong (right-hand)
3.	47-055148-002	Tong (left-hand)
4.	47-051758-003	Damper
	47-051758-600	Urethane Damper - Oversized (10 Pack)
	47-051758-500	PCV Damper - Oversized (10 Pack)
5.	47-055117-009	Spotting Tong - Complete Assembly (Pin Stations 1, 4, 5, and 6)
6.	47-055118-009	Spotting Tong - Complete Assembly (Pin Stations 2, 3, 7, 8, 9, and 10)
7.	47-054902-002	Deck Plate
8.	47-054898-003	Spotting Tong Pivot - Right-Hand
9.	47-054897-003	Spotting Tong Pivot - Left Hand
10.	11-054459-000	Self Tapping, Torx Screw (K60 x 20 mm)
11.	47-051762-004	Link
12.	47-054900-003	Lever - left hand
	47-054901-003	Lever - right hand
13.	47-054899-003	Gear

**GS Spotting Tong Assemblies
New Style**



**GS Spotting Tong Assemblies
New Style**

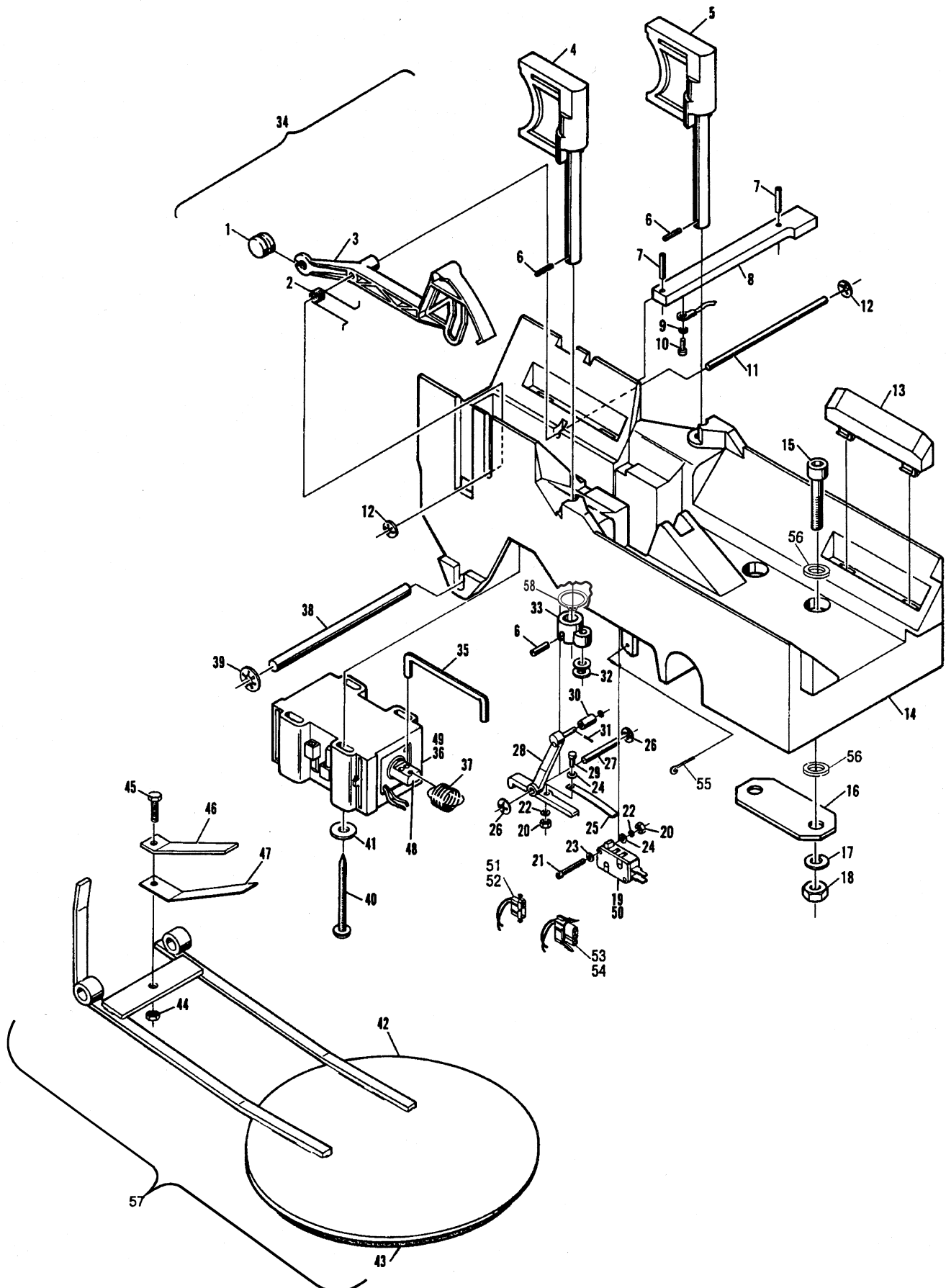
Index No.	Part No.	Description
1.	47-052124-004	Counter Weight
2.	47-050640-004	Tension Spring
3.	47-050665-003	Switch Finger
4.	47-052440-004	Pin Gripper (left-hand)
5.	47-052439-004	Pin Gripper (right-hand)
6.	11-052681-001	Rolled Pin (3 mm x 16 mm)
7.	11-052677-001	Rolled Pin (2 mm x 16 mm)
8.	*47-050675-004	Ground Shaft
9.	11-051767-001	Lockwasher (4 mm) (red box only)
10.	11-053776-001	C.R. Pan Hd. Screw (4 mm x 8 mm) (red box only)
11.	47-050668-004	Switch Finger Shaft
12.	11-053476-001	Starlock (4 mm)
13.	47-050308-004	Damper
14.	47-054689-009	Pin Holder with Dampers
	N.A.	Pin Holder without Dampers
15.	11-051535-001	Socket Hd. Cap Screw (8 mm x 40 mm)
16.	47-050676-004	Bracket
17.	11-051770-001	Lockwasher (8 mm)
18.	11-051704-001	Hex Nut (8 mm)
19.	47-052418-004	Cherry Switch (red box only)
20.	11-051708-001	Hex Nut (2.5 mm)
21.	11-052203-001	Slt'd. Machine Screw (2.5 mm x 20 mm)
22.	11-051766-001	Lockwasher (2.5 mm)
23.	11-052041-001	Flat Washer (2.7 mm x 8 mm x .8 mm)
24.	11-052051-001	Flat Washer (2.5 mm x 7 mm x .8 mm)
25.	47-050639-004	Switch Spring
26.	11-053475-001	Starlock (3 mm)
27.	47-050674-004	Shaft
28.	47-050670-004	Switch Finger
29.	11-052205-001	Slotted Machine Screw (2.5 mm x 8 mm)
30.	47-050671-004	Roller Bushing
31.	11-051802-001	Split Pin (1 mm x 10 mm)
32.	11-052025-001	Flat Washer (4.3 mm x 9 mm x .8 mm)
33.	46-050300-004	Catch
34.	47-050036-001	Pin Holder Complete (red box electrical system)
	47-053850-009	Pin Holder Complete (universal electrical system)
35.	47-050266-004	Connector Link
36.	99-060218-004	Solenoid Complete (red box)
37.	46-050302-004	Spring
38.	47-050677-004	Shaft
39.	11-053478-001	Starlock (8 mm)
40.	11-054776-001	C.R. Pan Hd. Screw (5 mm x 60 mm)
41.	11-052039-001	Flat Washer (5.3 mm x 15 mm x 1.6 mm)
42.	N.A.	Pin Detector Plate with Rubber
43.	N.A.	Rubber Material Only
44.	N.A.	Locknut (4 mm)
45.	N.A.	Hex Hd. Cap Screw (4 mm x 10 mm)
46.	N.A.	Flat Spring Support
47.	N.A.	Flat Spring
48.	99-060208-004	Plunger
49.	99-060242-004	Solenoid Complete (silver, consolidated and nexgen electronics box)
50.	47-053635-004	Cherry Switch (silver, consolidated and nexgen electronics box)
51.	11-680302-000	Terminal (silver box & universal)
52.	11-680105-000	Connector - 4 Pin (silver box & universal)
53.	11-697187-000	Terminal (red box)
54.	N.A.	Connector - 3 Pin (red box)
55.	11-051809-001	Straight Pin (2 mm)
56.	47-054691-004	Flat Washer (8.4 mm x 17 mm x 1.6 mm)
57.	**47-054298-001	Pin Detector Plate Complete
58.	11-053401-001	Snap Ring

N.A. = No Longer Available

* Ground Shaft is reversed for left-hand or right-hand Pin Holder Assembly.

** Interchangeable new style

GS-10 and GS-92 Pin Holder Assembly



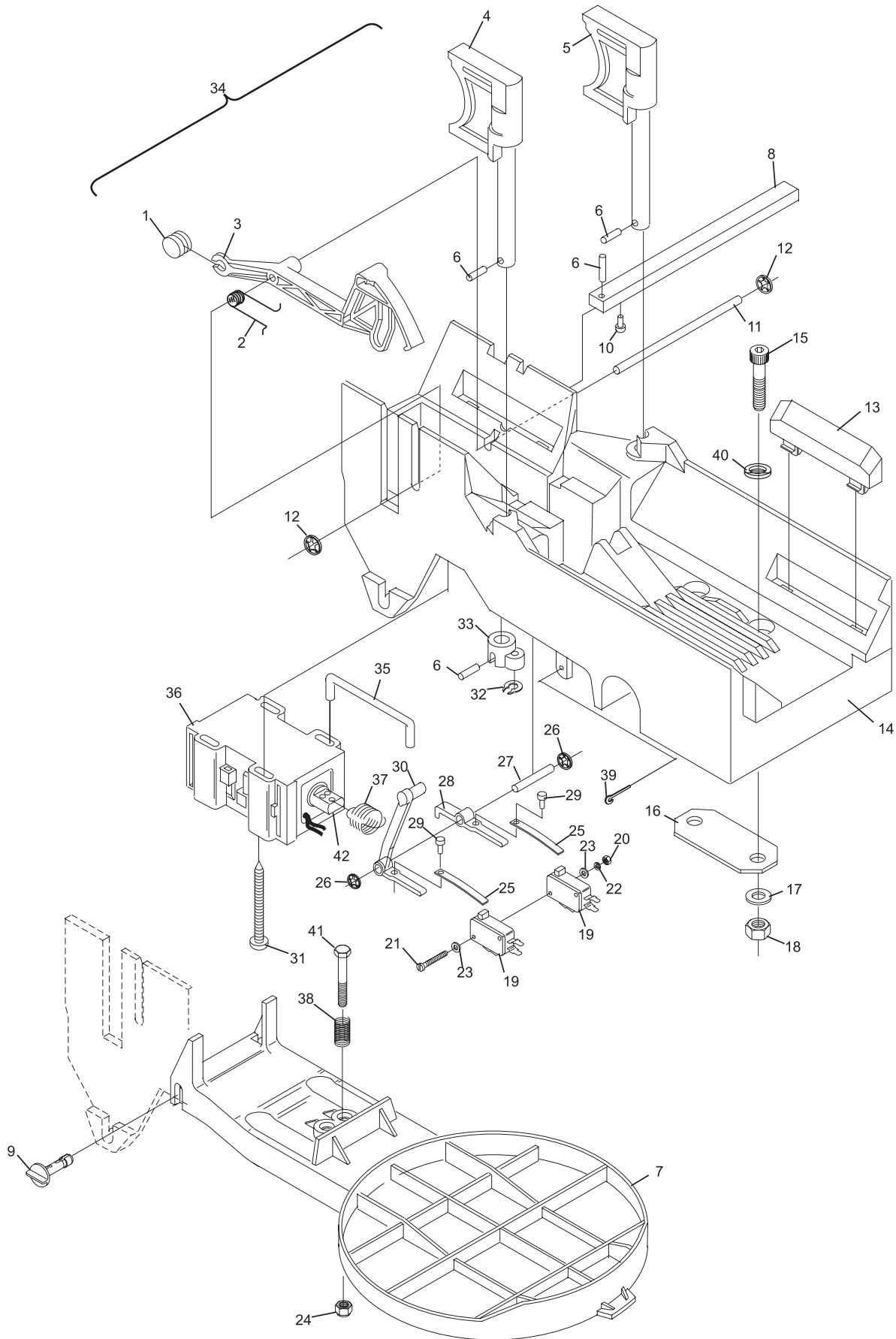
GS-10 and GS-92 Pin Holder Assembly

Index No.	Part No.	Description
1.	47-052124-004	Counter Weight
2.	47-050640-004	Tension Spring
3.	47-050665-003	Switch Finger
4.	47-052440-004	Pin Gripper (left-hand)
5.	47-052439-004	Pin Gripper (right-hand)
6.	11-052681-001	Rolled Pin (3 mm x 16 mm)
7.	47-054298-001	Pin Detector Plate with Pin
8.	*47-050675-004	Ground Shaft
9.	47-860005-000	Pivot Pin (package of 10)
10.	11-053776-001	C.R. Pan Hd. Screw (4 mm x 8 mm) (red box only)
11.	47-050668-004	Switch Finger Shaft
12.	11-053476-001	Starlock (4 mm)
13.	47-050308-004	Damper
14.	47-054689-009	Pin Holder with Dampers
	N.A.	Pin Holder without Dampers
15.	11-051535-001	Socket Hd. Cap Screw (8 mm x 40 mm)
16.	47-050676-004	Bracket
17.	11-051770-001	Lockwasher (8 mm)
18.	11-051704-001	Hex Nut (8 mm)
19.	47-053635-004	Micro Switch (single, cherry)
	47-054700-004	Micro Switch, (double)
20.	11-051708-001	Hex Nut (2.5 mm)
21.	11-052220-001	Sltd. Machine Screw (2.5 mm x 30 mm)
22.	11-051766-001	Lockwasher (2.5 mm)
23.	11-052041-001	Flat Washer (2.7 mm x 8 mm x .8 mm)
24.	11-051743-001	Lock nut
25.	47-050639-004	Switch Spring
26.	11-053475-001	Starlock (3 mm)
27.	47-054701-004	Shaft
28.	47-054703-004	Switch Finger
29.	11-055150-000	Slotted Machine Self Tap Screw Plastic (2.5 mm x 5 mm)
30.	47-054702-004	Switch Finger
31.	11-054776-001	C.R. Pan Hd. Screw (5 mm x 60 mm)
32.	11-054500-000	Grip Ring
33.	46-050300-004	Catch
34.	47-054699-009	Pin Holder Complete
35.	47-050266-004	Connector Link
36.	99-060242-004	Solenoid
37.	46-050302-004	Spring
38.	47-054708-004	Spring
39.	11-051808-001	Straight Pin
40.	47-054691-004	Flat Washer (8.4 mm x 17 mm x 1.6 mm)
41.	11-051088-001	Hex Hd. Cap Screw (6 mm x 35 mm)
42.	99-060208-004	Plunger

N.A. = No Longer Available

** Ground Shaft is reversed for left-hand or right-hand Pin Holder Assembly.*

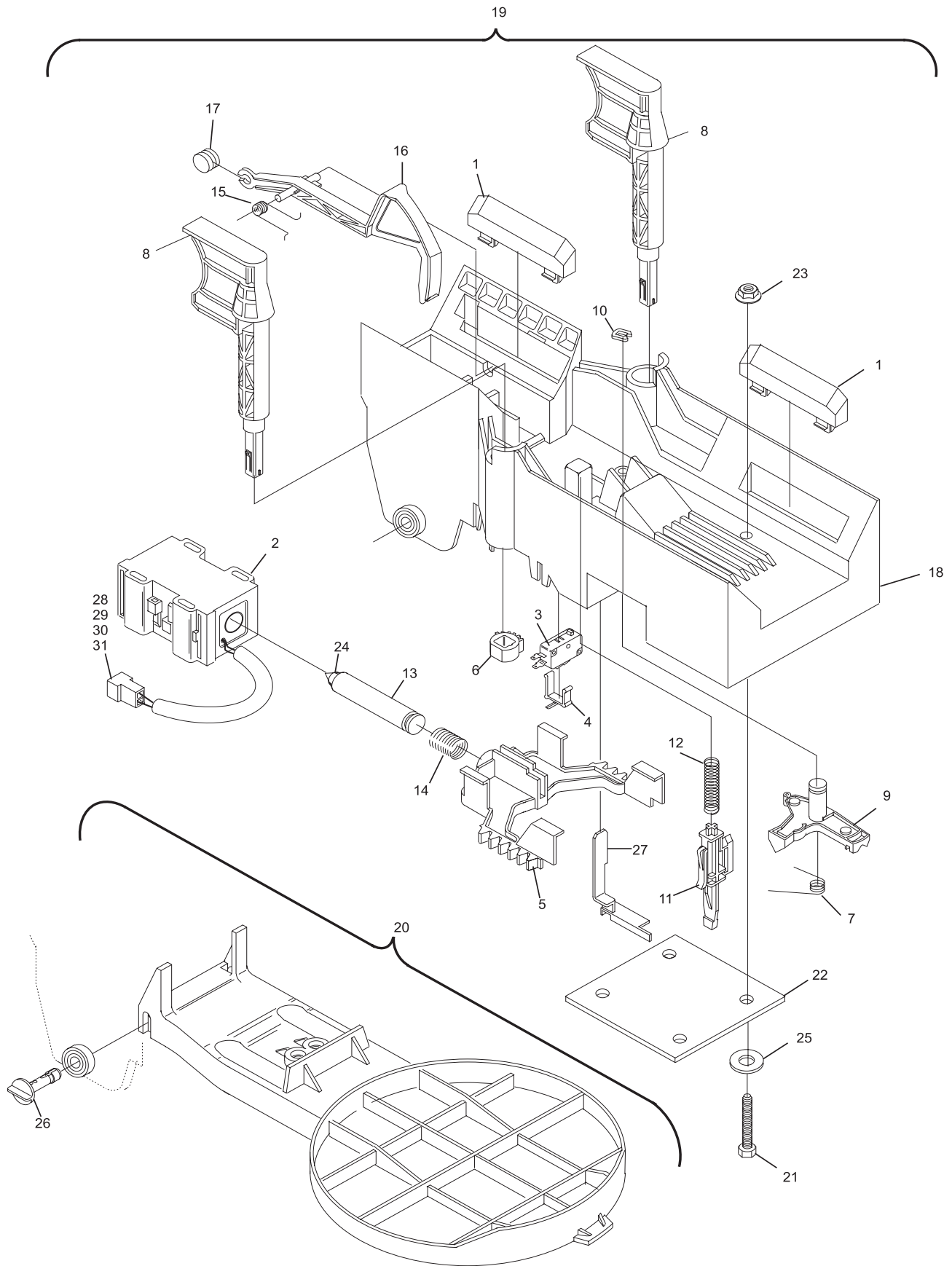
GS-96 - GS-98 Pin Holder Assembly



GS-96 - GS-98 Pin Holder Assembly

Index No.	Part No.	Description
1.	47-050308-004	Damper
2.	99-060351-004	Solenoid - Only
3.	47-055323-004	Micro Switch
4.	47-055001-004	Clip (Micro Switch)
5.	47-054983-002	Drive
6.	47-054984-004	Gear
7.	47-055006-004	Torsion Spring
8.	47-054981-002	Pin Gripper
9.	47-054985-001	Switch Lever
10.	47-054986-004	Clip
11.	47-054988-003	Switch Button
12.	47-055008-004	Tension Spring
13.	47-055004-004	Solenoid Plunger
14.	47-054987-004	Solenoid Spring
15.	47-055005-004	Tension Spring
16.	47-054982-002	Switch Finger
17.	47-052124-004	Weight
18.	47-054980-001	Pin Holder Housing - Only
19.	47-055314-009	Pin Holder Assembly Complete
20.	47-054298-001	Pin Detector Plate with Pin
21.	11-051014-001	Hex Hd. Cap Screw (6 mm x 45 mm)
22.	47-055003-004	Mount PLate
23.	11-055500-001	Hex Nut (6 mm)
24.	99-090349-004	O-Ring for Plunger
25.	11-055961-001	Washer
26.	47-860005-000	Pivot Pin (package of 10)
27.	47-055328-003	Connector Clip
28.	11-680206-000	Connector - Male (4 pos)
29.	11-680302-000	Terminal - Male
30.	11-680301-000	Terminal - Female
31.	11-680118-000	Connector - Female (4 pos)

GS-X/CPO Pin Holder Assembly



GS-X/CPO Pin Holder Assembly

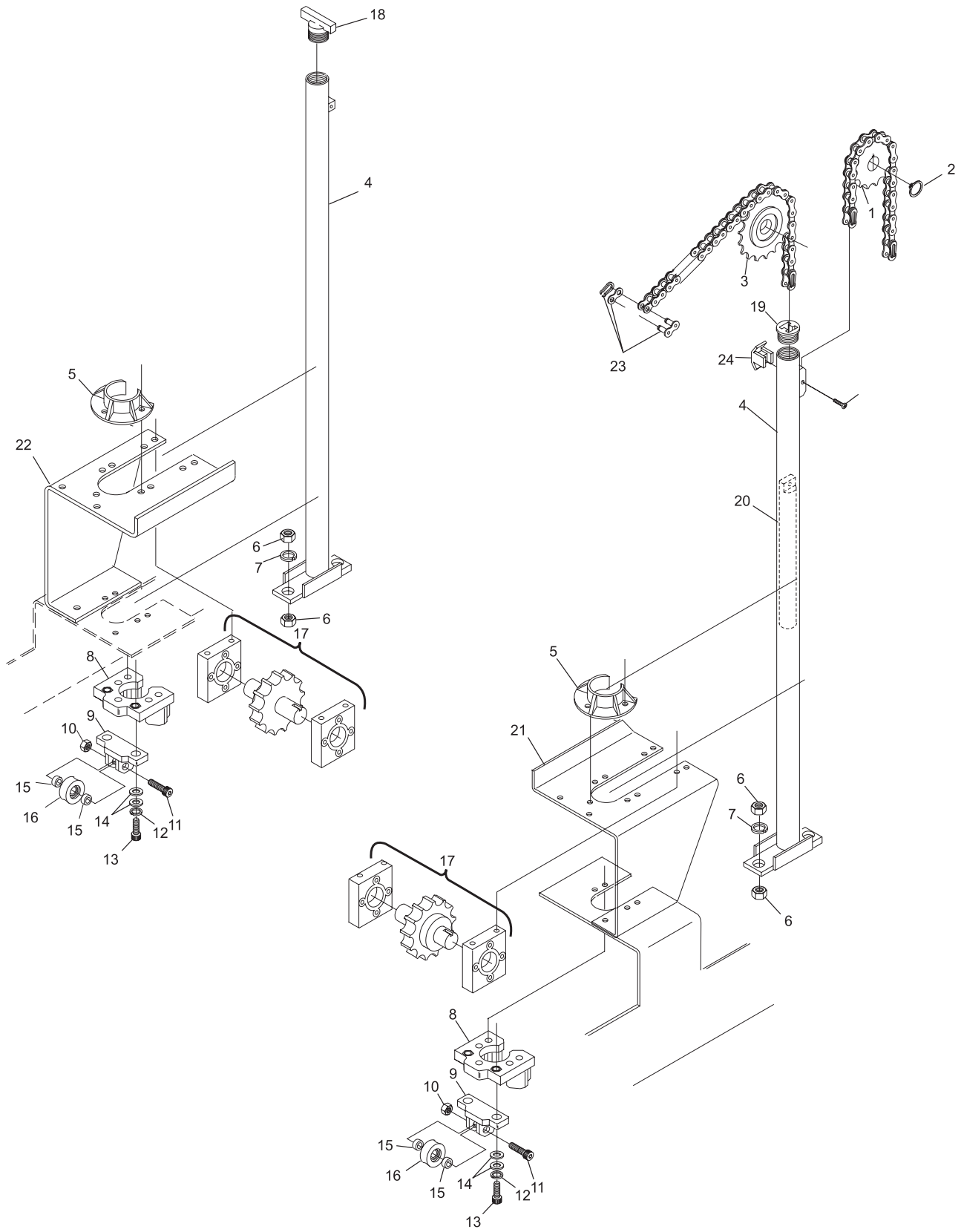
Index No.	Part No.	Description
1.	11-051706-001	Hex Nut (12 mm)
2.	11-051772-001	Lockwasher (12 mm)
3.	11-052024-001	Flat Washer (13 mm x 30 mm x 1.6 mm)
4.	47-071975-004	Threaded Connector
5.	11-600500-000	Master Link (3 pieces)
6.	11-601007-000	64 Link Chain
7.	47-050926-004	Cam
8.	11-051743-001	Locknut (6 mm)
9.	11-051509-001	Socket Hd. Cap Screw (6 mm x 12 mm)
10.	47-051490-004	Cam Holder
11.	47-052347-003	Deck Rack Tube (Upper)
12.	11-052451-001	Slted. Flat Ctsk. Hd. Machine Screw (6 mm x 25 mm)
13.	11-052679-001	Rolled Pin (6 mm x 22 mm)
14.	47-050365-003	Toothed Rack (6 mm x 25 mm)
15.	11-051518-001	Socket Hd. Cap Screw (10 mm x 40 mm)
16.	11-051771-001	Lockwasher (10 mm)
17.	11-052018-001	Flat Washer (10.5 mm x 21 mm x 2 mm)
18.	47-071162-004	Spacer Bushing
19.	47-071148-004	Roller
20.	47-071170-003	Roller Support (small)
21.	11-051745-001	Locknut (small)
22.	47-071171-003	Roller Support (large)
23.	47-070386-004	Counter Weight
24.	11-051517-001	Socket Hd. Cap Screw (10 mm x 25 mm)
25.	11-051707-001	Hex Nut (16 mm)
	11-051748-001	Locknut (16 mm)
26.	11-051774-001	Lockwasher (16 mm)
27.	47-071871-003	T-Stop
28.	47-070401-004	Threaded Cap
29.	11-051703-001	Hex Nut (10 mm)
30.	47-071161-003	Roller Support Complete
31.	47-052346-003	Deck Rack Tube (lower)
32.	11-051770-001	Lockwasher (8 mm)
33.	11-051066-001	Hex Hd. Cap Screw (8 mm x 18 mm)
34.	11-052684-001	Rolled Pin (5 mm x 40 mm)

NOTE: To order right-hand assembly, use part no. 47-052458-009.
To order left-hand assembly, use part no. 47-052459-009.

Table Rack and Roller Assembly

Index No.	Part No.	Description
1.	47-075474-004	Chain Gear
2.	11-051856-000	Retaining Ring (25 mm)
3.	47-011053-004	Sprocket
4.	47-055461-003	Tube
5.	47-085349-003	Tube Guide
6.	11-051707-001	Hex Nut (16 mm)
7.	11-055255-001	Ribbed Lockwasher (16 mm)
8.	47-071171-003	Roller Support (large)
9.	47-071170-003	Roller Support (small)
10.	11-051745-000	Locknut (10 mm)
11.	11-051074-001	Hex Head Cap Screw (10 mm x 45 mm)
12.	11-051771-001	Lockwasher (10 mm)
13.	11-051532-001	Socket Head Cap Screw (10 mm x 30 mm)
14.	11-052018-001	Flat Washer (10.5 mm x 20 mm x 2 mm)
15.	47-071162-004	Spacer Bushing
16.	47-071148-004	Roller
17.	47-075553-003	Lower Chain Gear with Bearing Block - Complete
18.	47-071871-003	T-Stop
19.	47-070401-004	Threaded Cap
20.	47-070386-004	Counter Weight
21.	47-085436-003	Support Bracket - right-hand
22.	47-085430-003	Support Bracket - left-hand
23.	11-600500-000	Master Link (3-pieces)
24.	47-055350-004	Out of Range Cam

**Table Rack and Roller Assembly
(Machine Series 443 and Above)**



**Table Rack and Roller Assembly
(Machine Series 443 and Above)**