

**Section K**

**SILVER BOX/UNIVERSAL  
VOLTAGE SILVER BOX  
ELECTRICAL**

**Index**

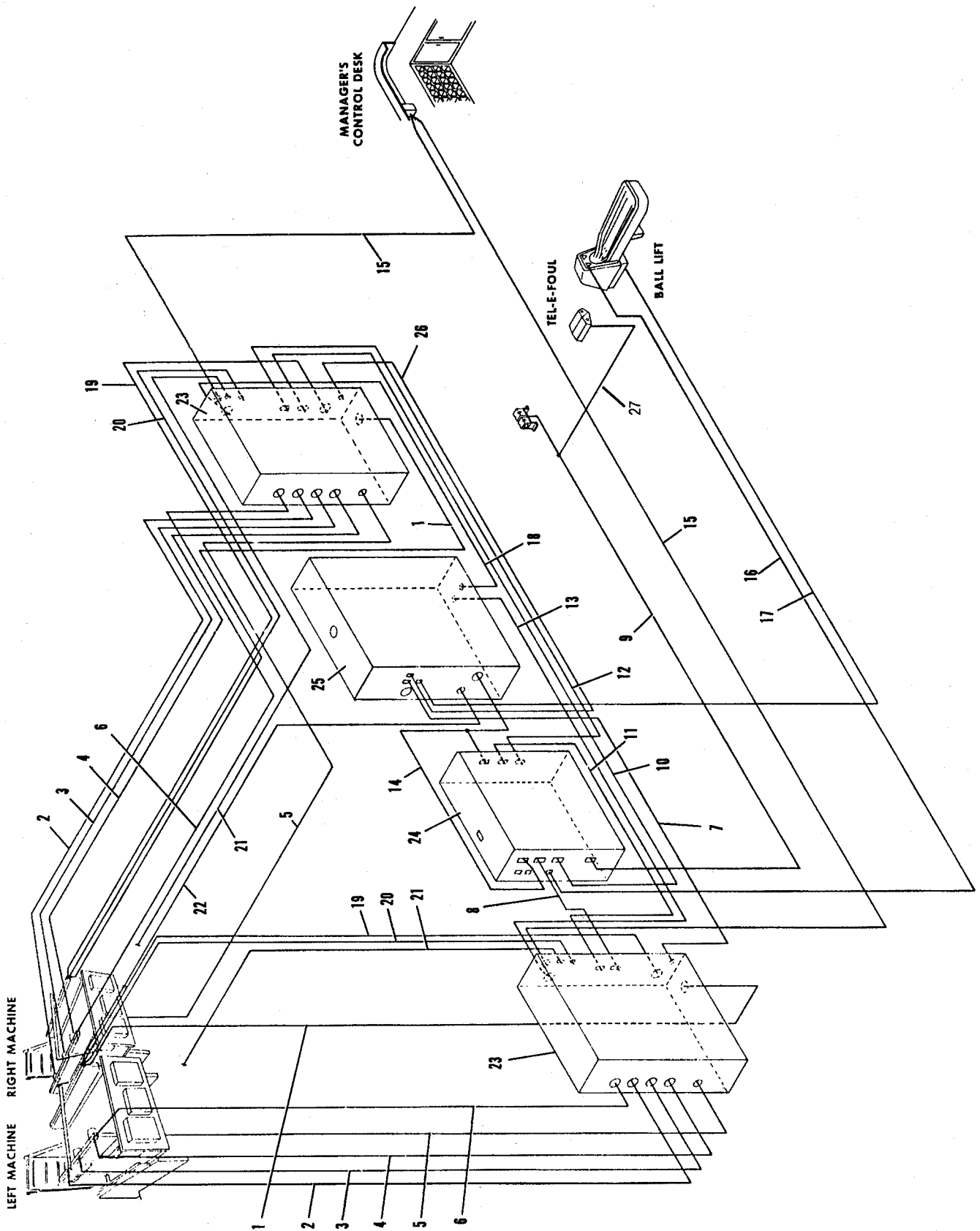
<b>No.</b>	<b>Part No.</b>	<b>Description</b>
1.	68-100051-000	Setting Table Cable Assembly
2.	68-100180-000	Table Motor Cable Assembly
3.	68-100181-000	Sweep Motor Cable Assembly
4.	68-100182-000	Elevator Motor Cable Assembly
5.	*	Pin Light Cable Assembly
6.	68-100053-000	L.H. Function Solenoid & Switches Cable Assembly
7.	68-100160-000	High Voltage Box To Common Box Cable Assembly (left-hand machine)
8.	68-100044-000	Switch Data Cable Assembly
9.	47-192952-000	Foul & Optical Trigger Cable Assembly
10.	68-100158-000	Switch Data Cable Assembly
11.	68-100046-000	Solenoid Data Cable Assembly
12.	68-100157-000	Solenoid Data Cable Assembly
13.	**	High Voltage Power Supply Cable Assembly (box 1)
14.	N.A.	Gamesetter Power & Peripheral Control Cable Assembly
15.	68-100159-000	Manager's Remote "On" Cable Assembly
16.	68-100050-000	Player Control Cable Assembly
17.	68-100061-000	Ball Lift Control Cable Assembly
18.	**	High Voltage Power Supply Cable Assembly (box 2)
19.	68-100385-000	R.H. Switch, Trouble Light & Ball Door Cable Assembly
20.	68-100176-000	Rear Control Box Cable Assembly
21.	53-200871-000	Masking Unit Cable Assembly
22.	68-100178-000	Ball Accelerator Motor Cable Assembly
23.	47-862706-000	High Voltage Box Complete
24.	47-862708-402	Gamesetter Box Complete
25.	47-862707-000	Common Box Complete
26.	68-100160-010	High Voltage Box to Common Box Cable Assembly (right-hand machine)
27.	47-862717-000	Foul to Optical Trigger Cable Assembly

*N.A. = No Longer Available*

*\* Part of Pin Light Assembly - shown on page 3H.*

*\*\* Part of Common Box Complete, Index No. 25.*

**High Voltage Box, Common Box,  
Gamesetter Box and Cable Assemblies - Silver Box**



**High Voltage Box, Common Box,  
Gamesetter Box and Cable Assemblies - Silver Box**

Index No.	Part No.	Description
1.	68-100379-000	Table Motor Cable Assembly
2.	68-100380-000	Sweep Motor Cable Assembly
3.	68-100381-000	Elevator Motor Cable Assembly
4.	47-182500-000	Side Function Solenoids & Switches Cable Assembly (left-hand)
5.	*	Pin Light Cable Assembly
6.	47-243069-004	Setting Table Cable Assembly
7.	53-200871-000	Masking Unit Cable Assembly
8.	68-100176-000	Rear Control Box Cable Assembly
9.	68-100385-000	Switch, Trouble Light & Ball Door Assembly (right-hand)
10.	68-100192-000	Ball Accelerator Motor Cable Assembly
11.	68-100193-000	Gamesetter Power & Peripheral Control Cable Assembly
12.	68-100199-000	Ball Rack Reset Cable Assembly
13.	**	Voltage Power Supply (box 1) Cable Assembly
14.	68-100382-000	Common Box Remote "ON" Cable Assembly (left-hand machine)
15.	68-100044-000	Switch Data Cable Assembly
16.	68-100046-000	Solenoid Data Cable Assembly
17.	68-100158-000	Switch Data Cable Assembly
18.	68-100157-000	Switch Data Cable Assembly
19.	**	High Voltage Power Supply Cable Assembly (box 2)
20.	68-100383-000	Common Box Remote "ON" Cable Assembly (right-hand machine)
21.	47-192952-000	Foul & Optical Trigger Cable Assembly (Silver Box and Universal Voltage Silver Box)
22.	***	Manager's Remote "On" Cable Assembly
23.	N.A.	Ball Rack Reset Cable Assembly
24.	68-100050-000	Player Control Cable Assembly
25.	68-100061-000	Ball Lift Control Cable Assembly
26.	11-680027-000	Twist Lock Receptacle
27.	47-862735-000	Power Adaptor Cable Assembly
28.	47-862712-000	High Voltage Box Assembly Complete
	47-162839-000	High Voltage PCB Assembly (Smart Shark)
29.	****47-862711-401	Gamesetter Box Assembly Complete
	47-862801-000	Gamesetter I/O PCB Assembly
	N.A.	Gamesetter CPU (Smart Shark) - available through Brunswick Rapid Exchange
30.	47-862745-000	Common Box Assembly Complete
31.	47-862743-000	External Cable Package-GS-92 Pinsetters (includes index numbers 11,15,16,18, and 19, also includes 1 each of Ball Lift Adapter Cable 68-100272-000). not illustrated
32.	68-100273-000	Pinsetter to High Voltage Ground Cable Assembly
33.	11-612030-000	Terminal
34.	11-612029-000	Terminal
35.	N.A.	High Voltage to Gamesetter to Common Box Cable Assembly
36.	47-862717-000	Foul to Optical Trigger Cable Assembly

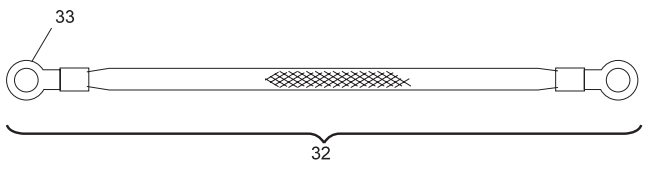
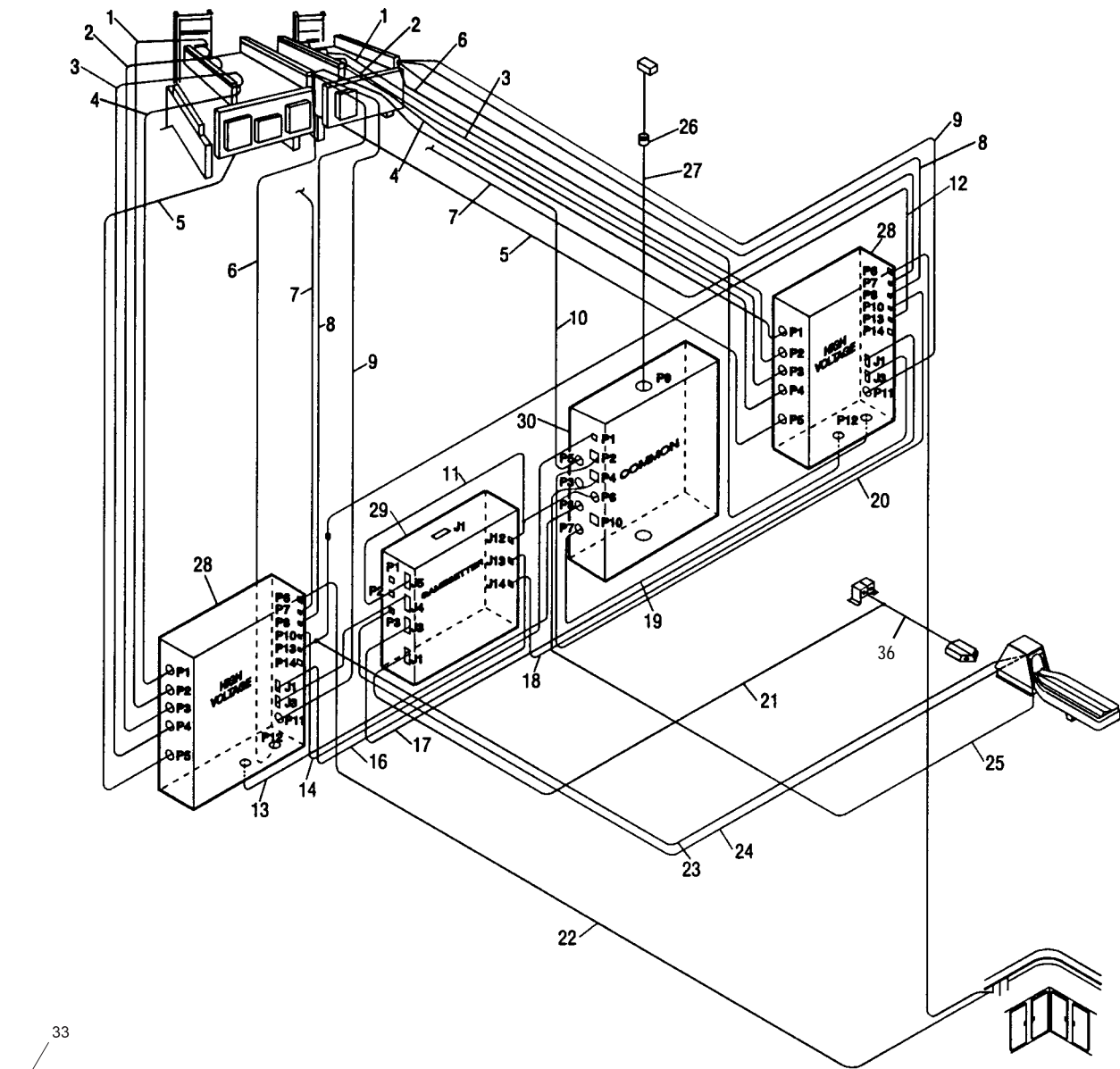
\* Part of Pin Light Assembly - shown on page 3H

\*\* Part of Common Box Assembly Complete, index no. 30

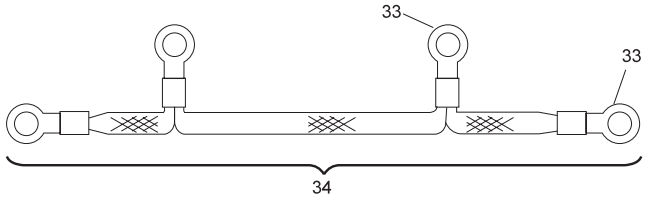
\*\*\* Remove EPROM and Replace with Existing Software If Not Smart Shark

\*\*\*\* For Manager's Remote "on" Cable Assembly order Bulk Cable 27-609996-000

## Smart Shark, High Voltage Box, Common Box, Gamesetter Box and Cable Assemblies - Universal Voltage Silver Box



PINSETTER TO HIGH VOLTAGE GROUND CABLE ASSEMBLY



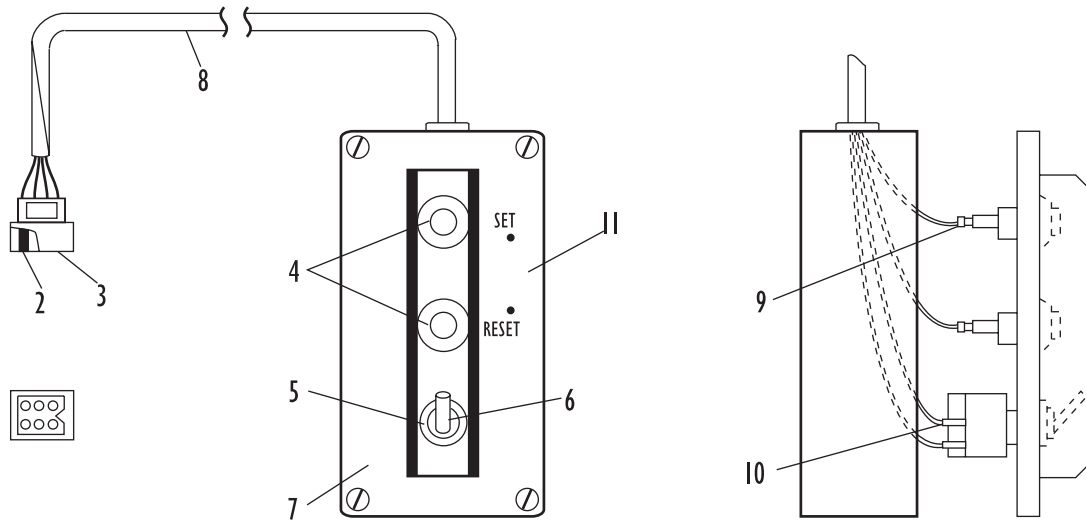
HIGH VOLTAGE TO GAMESSETTER TO COMMON GROUND CABLE ASSEMBLY

**Smart Shark, High Voltage Box, Common Box,  
Gamesetter Box and Cable Assemblies - Universal Voltage Silver Box**

<b>Index No.</b>	<b>Part No.</b>	<b>Description</b>
1.	47-243071-000	Rear Control Box with Cable Assembly
2.	11-680302-000	Terminal
3.	11-680107-000	Connector
4.	11-615013-000	Push Button Switch
5.	N.A.	Grommet
6.	11-615515-000	Toggle Switch
7.	47-243072-004	Rear Control Box
8.	68-100276-000	Rear Control Box Cable Assembly
9.	N.A.	Terminal
10.	N.A.	Terminal
11.	47-243070-004	Rear Control Plate
12.	11-612012-000	Solderless Terminal
13.	68-100178-000	Plug Assembly with Pin Contacts for Ball Accelerator Motor (172")
	68-100180-000	Plug Assembly with Pin Contacts for Table Motor (106")
	68-100181-000	Plug Assembly with Pin Contacts for Sweep Motor (87")
	68-100182-000	Plug Assembly with Pin Contacts for Elevator Motor (64")

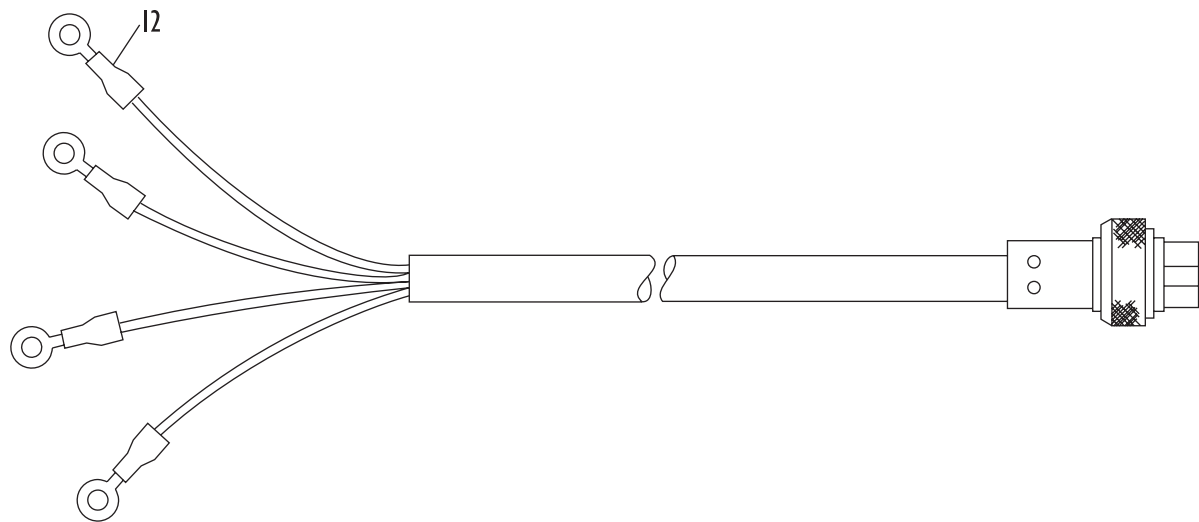
*N.A. = No Longer Available*

**Rear Control Box and Plug Assembly  
with Pin Contacts Cable Assemblies - Silver Box**



I

Rear Control Box Cable Assembly



13

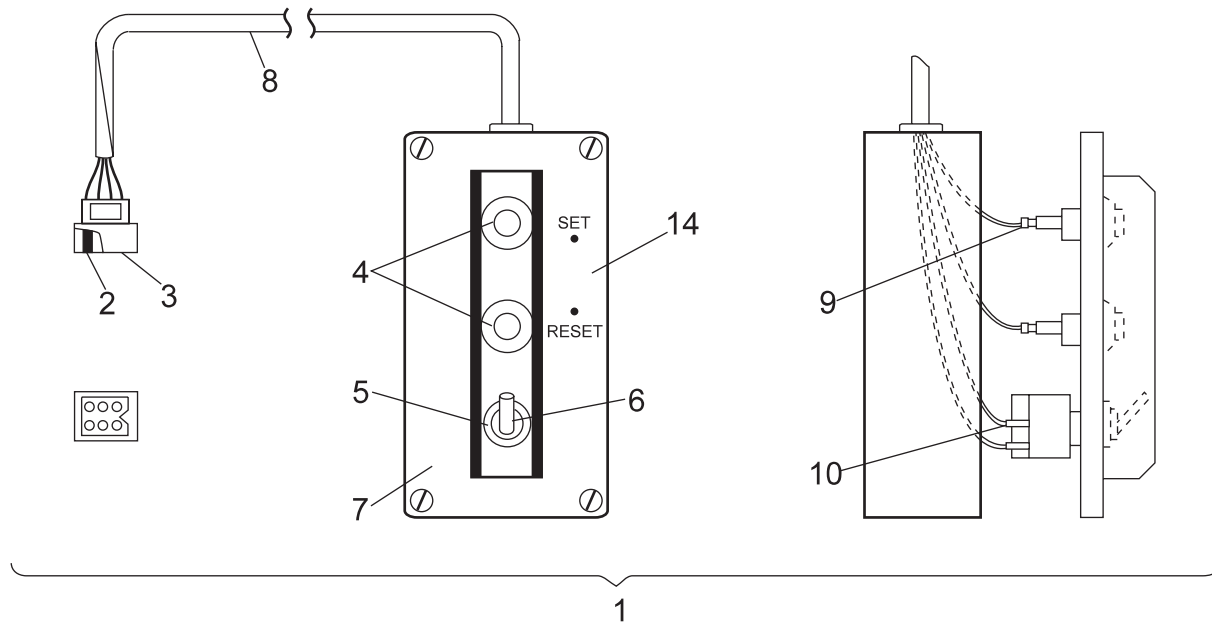
Plug Assembly with Pin Contacts

**Rear Control Box and Plug Assembly  
with Pin Contacts Cable Assemblies - Silver Box**

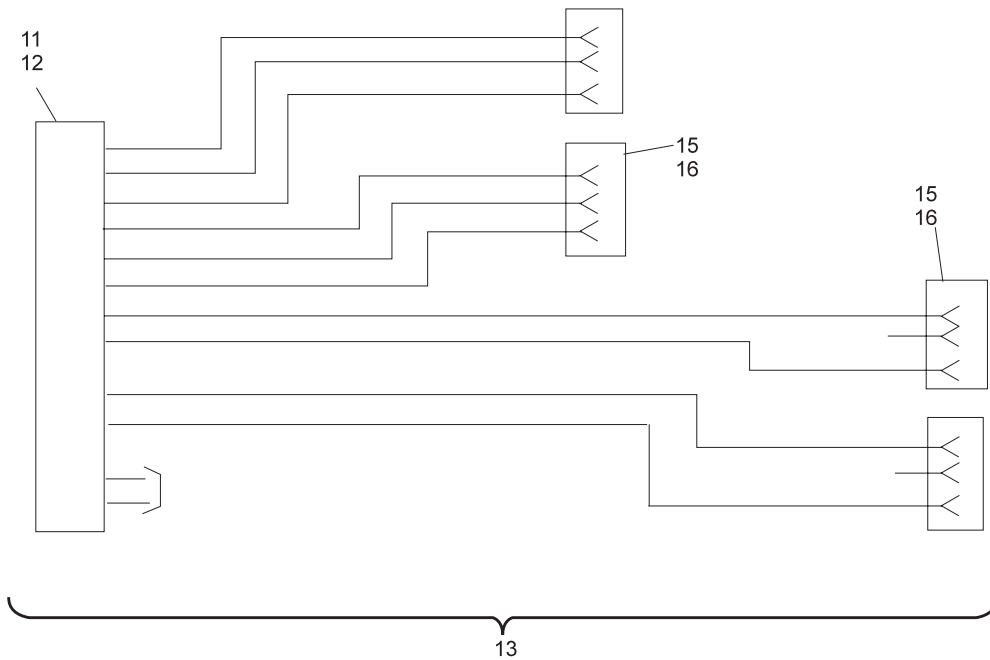
<b>Index No.</b>	<b>Part No.</b>	<b>Description</b>
1.	47-243071-000	Rear Control Box with Cable Assembly
2.	11-680107-000	Connector
3.	11-680302-000	Terminal
4.	11-615013-000	Push Button Switch
5.	N.A.	Grommet
6.	11-615515-000	Toggle Switch
7.	47-243072-004	Rear Control Box
8.	68-100276-000	Rear Control Box Cable Assembly
9.	N.A.	Terminal
10.	N.A.	Connector
11.	11-697328-000	Connector
12.	N/A	Terminal
13.	47-192952-000	Foul & Optical Trigger Cable Assembly
14.	47-243070-004	Rear Control Plate
15.	11-680201-000	Connector
16.	11-680301-000	Terminal

*N.A.= No Longer Available*

**Rear Control Box  
and Foul & Optical Trigger Cable Assemblies - Universal Voltage Silver Box**



Rear Control Box Cable Assembly



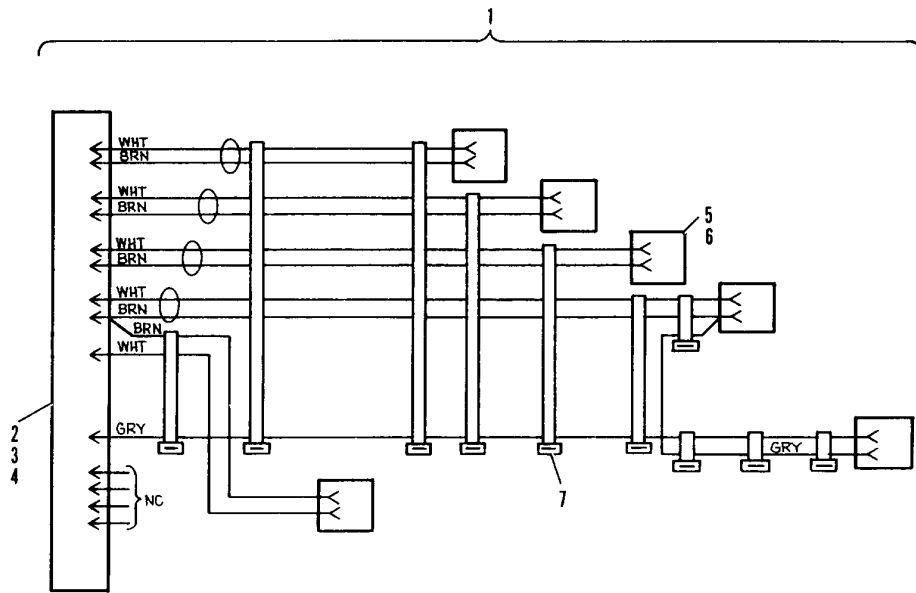
FOUL AND OPTICAL TRIGGER CABLE ASSEMBLY

**Rear Control Box  
and Foul & Optical Trigger Cable Assemblies - Universal Voltage Silver Box**

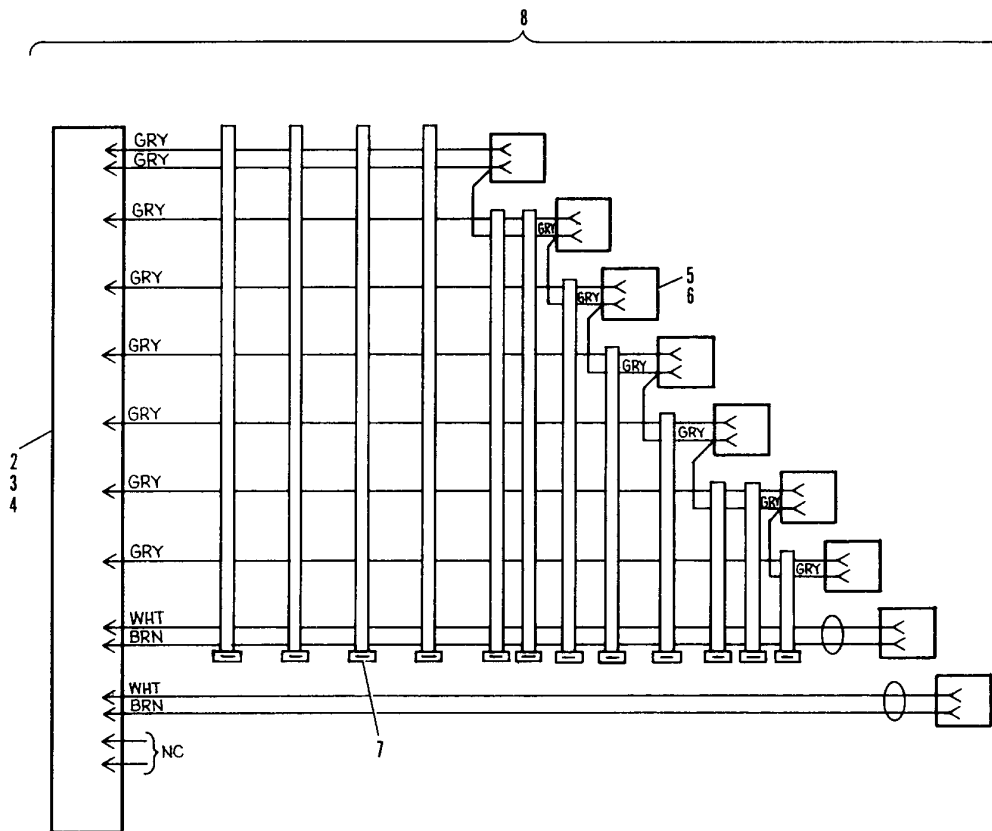
<b>Index No.</b>	<b>Part No.</b>	<b>Description</b>
1.	68-100384-000	Side Function Solenoid & Switches Cable Assembly (left-hand) - Universal
	68-100053-000	Side Function Solenoid & Switches Cable Assembly (left-hand) - Silver Box
2.	11-615080-000	Connector
3.	N.A.	Cable Clamp
4.	11-615101-000	Terminal
5.	11-680216-000	Connector
6.	11-680301-000	Terminal
7.	11-603108-000	Cable Tie
8.	68-100385-000	Side Switches, Trouble Light & Ball Door Cable Assembly (right-hand)

*N.A. = No Longer Available*

**Side Function Solenoids & Switches (left-hand) and Side Switches,  
Trouble Light & Ball Door (right-hand) Cable Assemblies - Universal Voltage Silver Box**



LEFT SIDE FUNCTION SOLENOIDS & SWITCHES CABLE ASSEMBLY

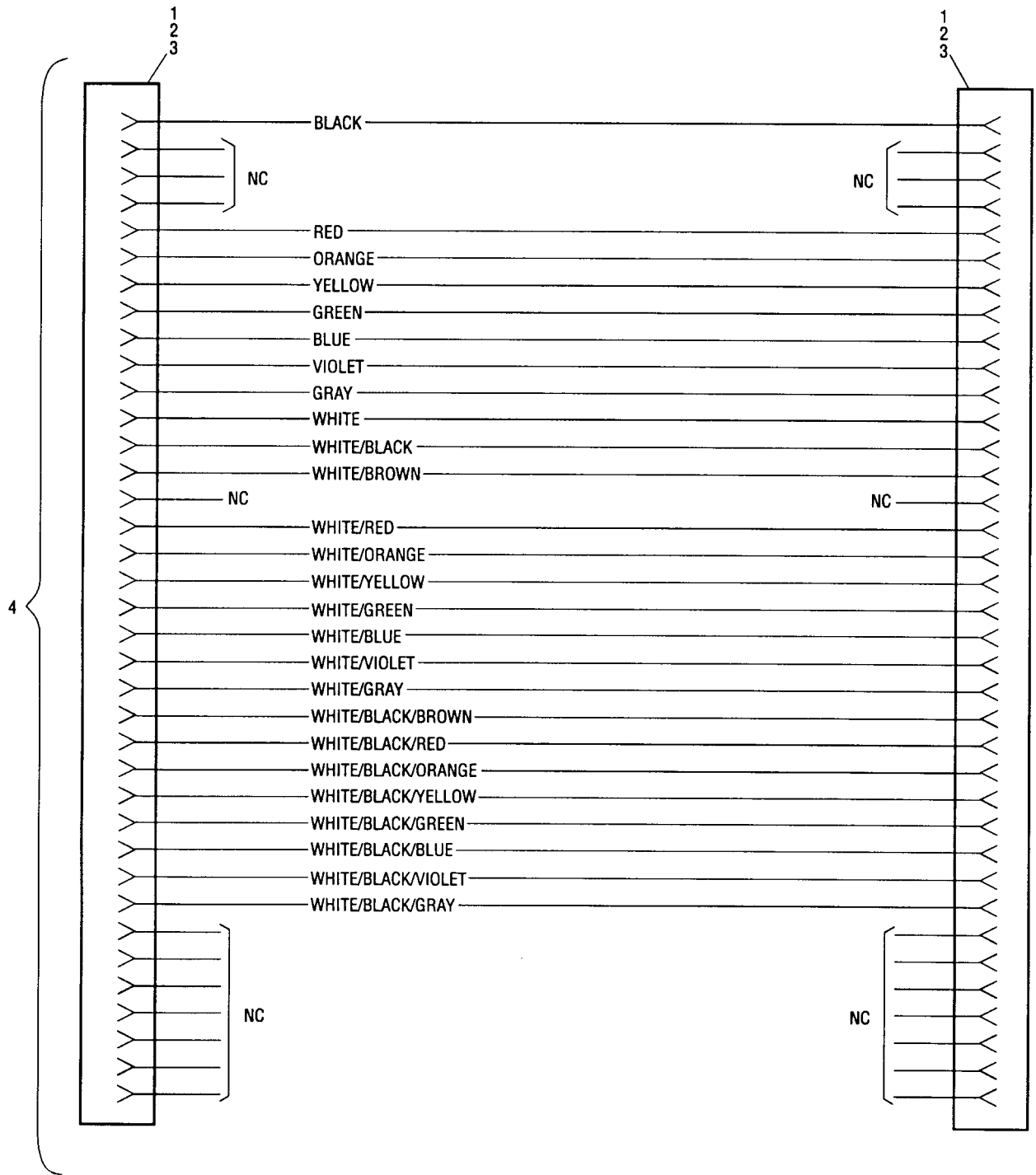


RIGHT SIDE SWITCHES, TROUBLE LIGHT & BALL DOOR CABLE ASSEMBLY

**Side Function Solenoids & Switches (left-hand) and Side Switches, Trouble Light & Ball Door (right-hand) Cable Assemblies - Universal Voltage Silver Box**

<b>Index No.</b>	<b>Part No.</b>	<b>Description</b>
1.	11-615075-000	Connector
2.	11-615127-000	Cable Clamp
3.	11-615102-000	Contact
4.	68-100051-000	Setting Table Cable Assembly Complete

## **Setting Table Cable Assembly - Silver Box**



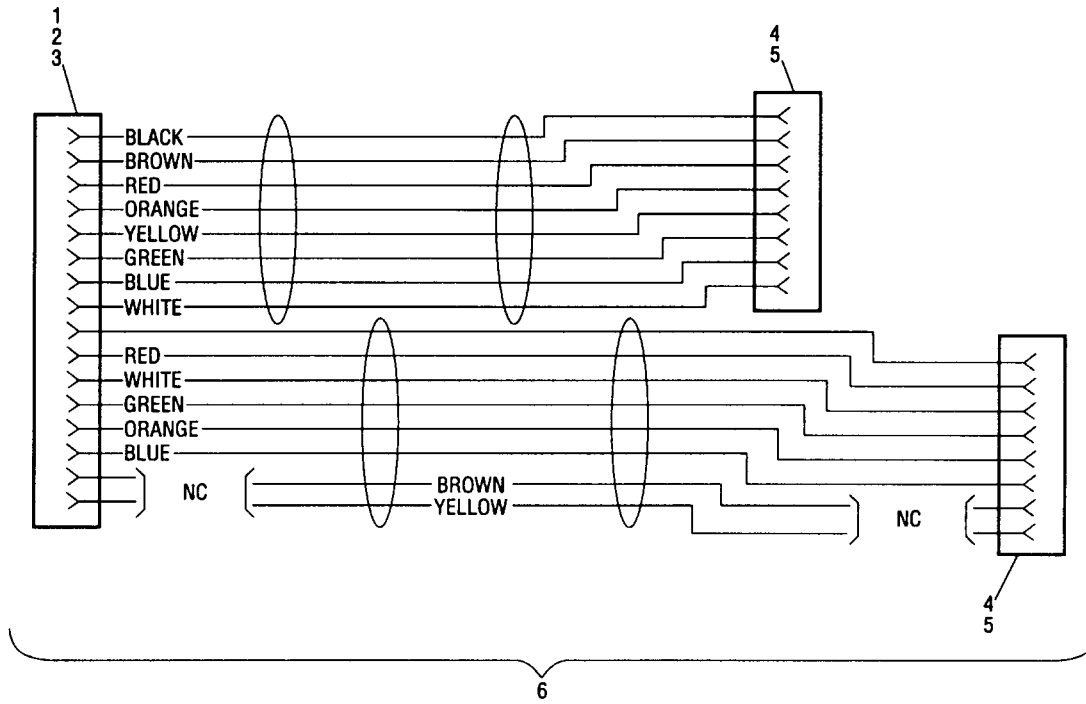
SETTING TABLE CABLE ASSEMBLY

### Setting Table Cable Assembly - Silver Box

<b>Index No.</b>	<b>Part No.</b>	<b>Description</b>
1.	N.A.	Connector
2.	11-615127-000	Cable Clamp
3.	11-615102-000	Contact
4.	11-697208-000	Connector
5.	11-680322-000	Terminal
6.	N.A.	Gamesetter Power & Peripheral Control Cable Assembly

*N.A. = No Longer Available*

**Gamesetter Power & Peripheral Control  
Cable Assembly - Silver Box**



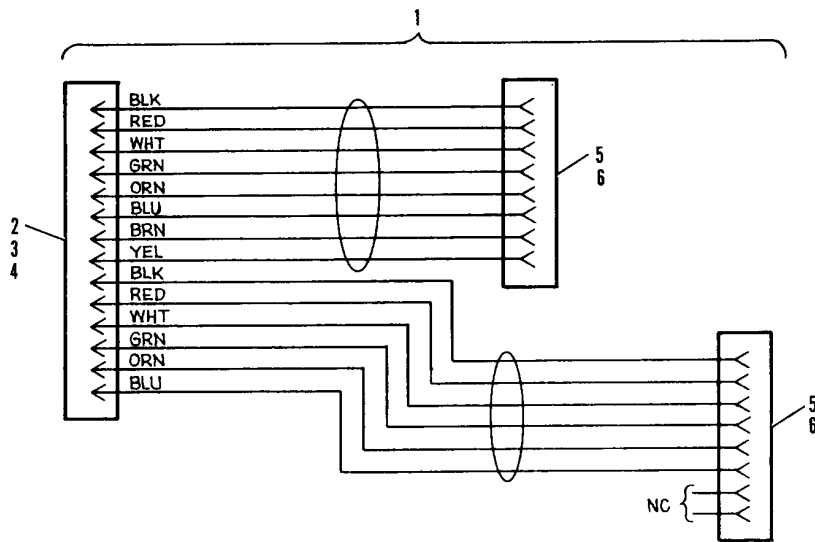
GAMESSETTER POWER & PERIPHERAL CONTROL CABLE ASSEMBLY

**Gamesetter Power & Peripheral Control  
Cable Assembly - Silver Box**

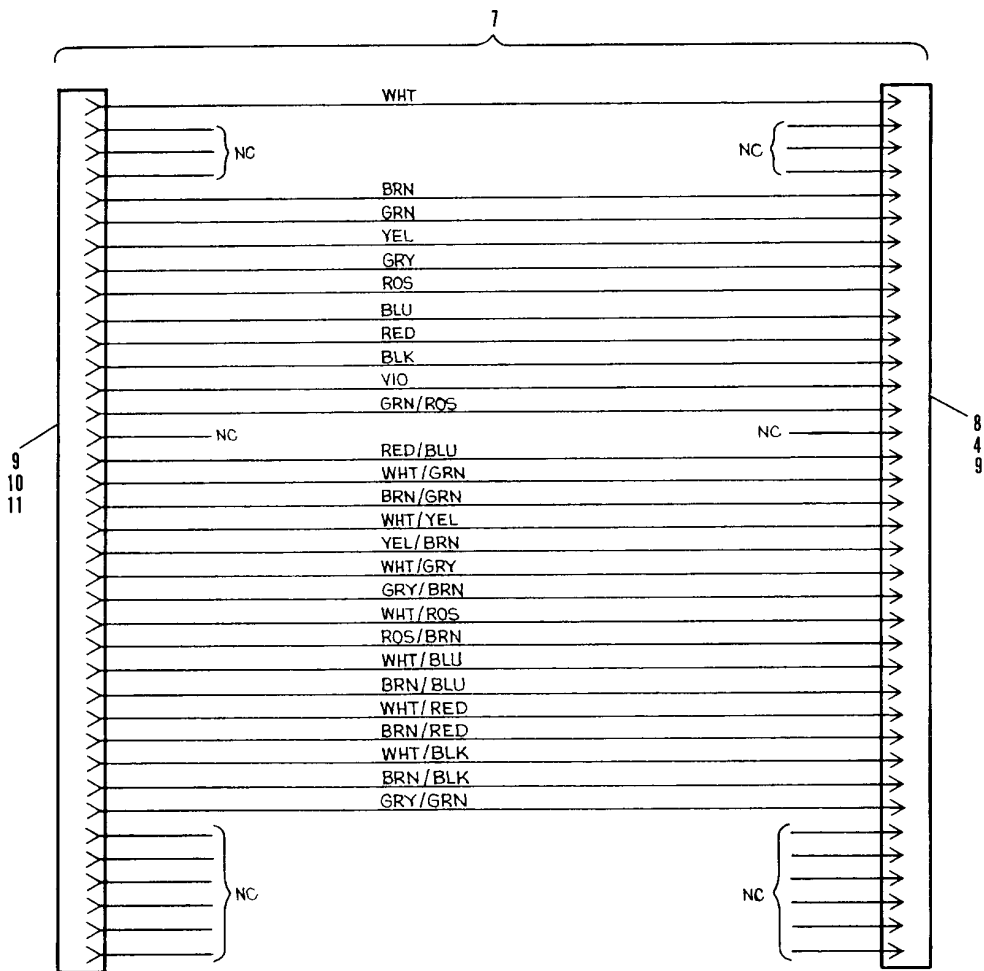
<b>Index No.</b>	<b>Part No.</b>	<b>Description</b>
1.	68-100193-000	Gamesetter Power & Peripheral Control Cable Assembly
2.	11-615080-000	Connector
3.	N.A.	Cable Clamp
4.	11-615101-000	Terminal
5.	11-697208-000	Connector
6.	11-680322-000	Socket Terminal
7.	47-243069-004	Setting Table Cable Assembly
8.	11-703529-000	Connector
9.	11-615127-000	Cable Clamp
10.	11-615075-000	Connector
11.	11-615102-000	Terminal

*N.A. = No Longer Available*

**Gamesetter Power & Peripheral Control  
and Setting Table Cable Assemblies - Universal Voltage Silver Box**



GAMESETTER POWER & PERIPHERAL CONTROL CABLE ASSEMBLY



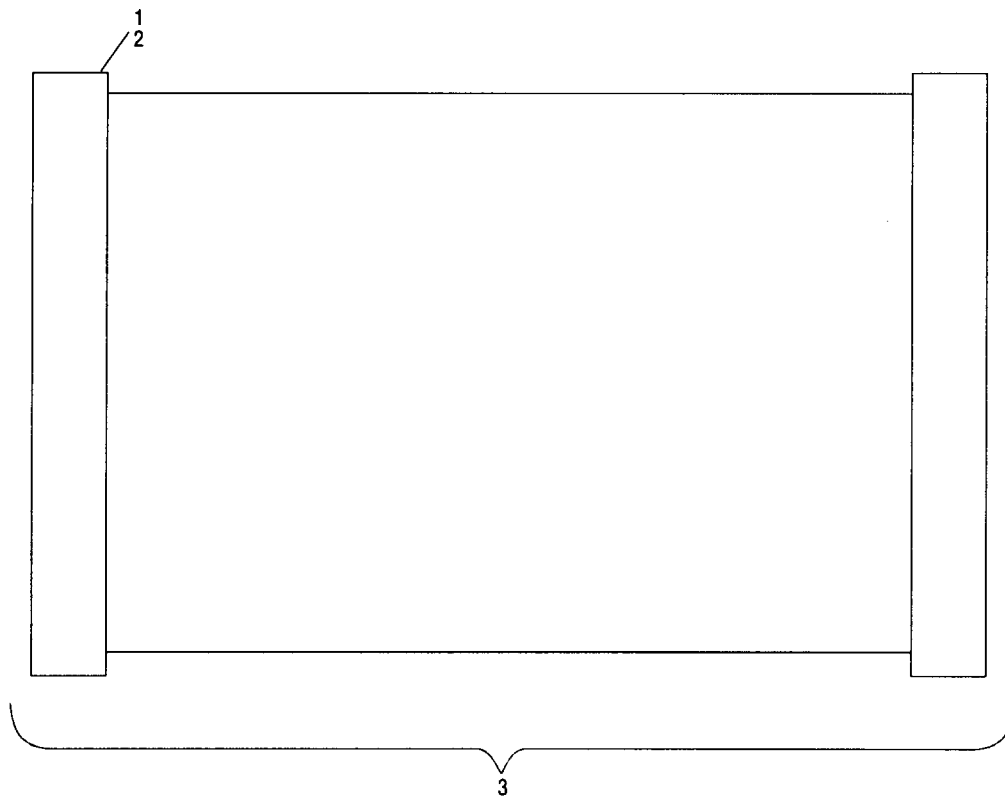
SETTING TABLE CABLE ASSEMBLY

**Gamesetter Power & Peripheral Control  
and Setting Table Cable Assemblies - Universal Voltage Silver Box**

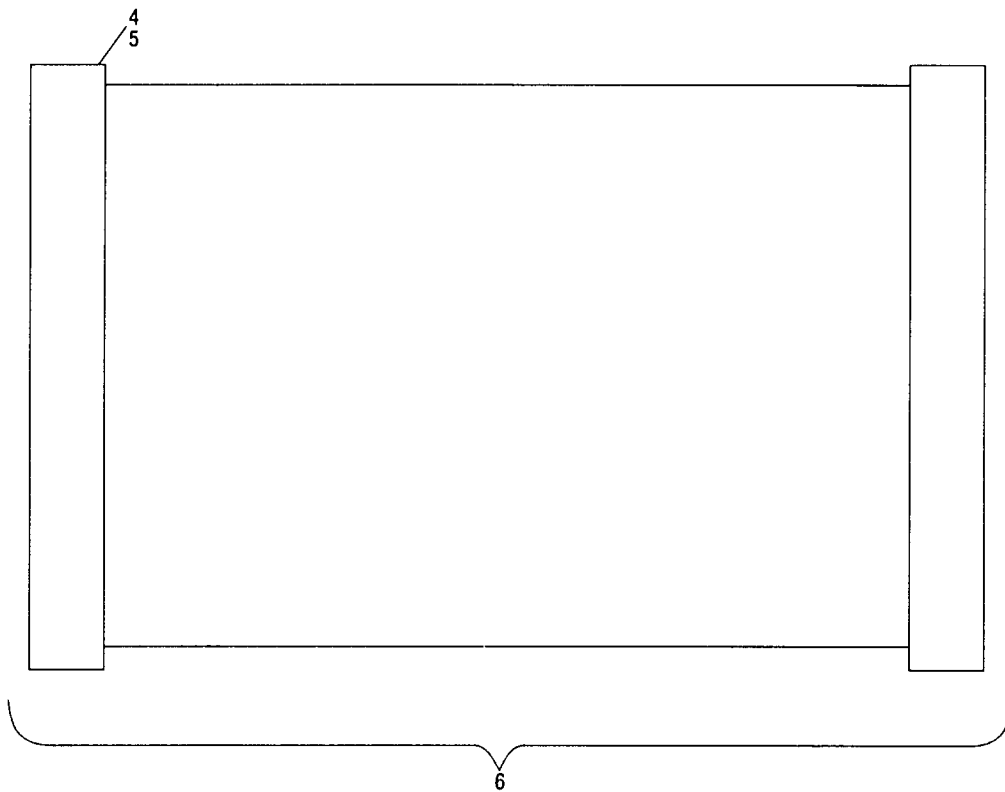
<b>Index No.</b>	<b>Part No.</b>	<b>Description</b>
1.	11-697327-000	Connector
2.	11-697321-000	Connector
3.	68-100044-000	Switch Data Cable Assembly (lane 1, 1.5 ft.)
	68-100158-000	Switch Data Cable Assembly (lane 2, 9 ft.)
4.	N.A.	Connector
5.	N.A.	Connector
6.	68-100046-000	Solenoid Data Cable Assembly (lane 1, 3.5 ft.)
	68-100157-000	Solenoid Data Cable Assembly (lane 2, 8 ft.)

*N.A. = Not Available*

**Switch Data and Solenoid Data Cable Assemblies - Silver Box  
and Universal Voltage Silver Box**



SWITCH DATA CABLE ASSEMBLY

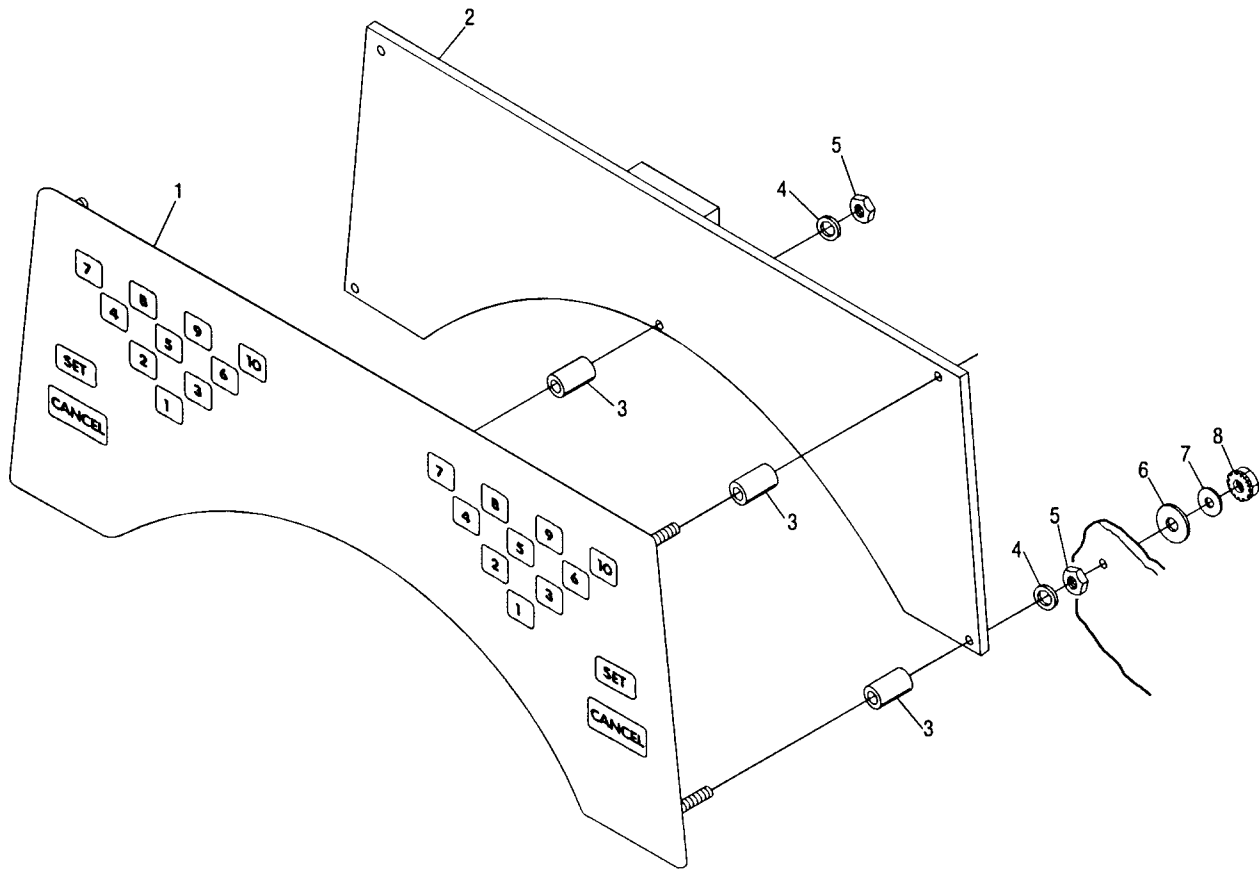


SOLENOID DATA CABLE ASSEMBLY

**Switch Data and Solenoid Data Cable Assemblies - Silver Box  
and Universal Voltage Silver Box**

<b>Index No.</b>	<b>Part No.</b>	<b>Description</b>
1.	47-862733-000	Butterfly Board Complete (Brunswick Rapid Exchange)
2.	47-862734-000	Player Control PCB Complete (Brunswick Rapid Exchange)
3.	11-185276-000	Round Spacer
4.	11-192011-000	Nylon Washer
5.	11-125003-001	Hex Nut
6.	N.A.	Rubber Washer
7.	11-190004-001	Flat Washer
8.	11-176007-001	Keps Nut w/Lockwasher

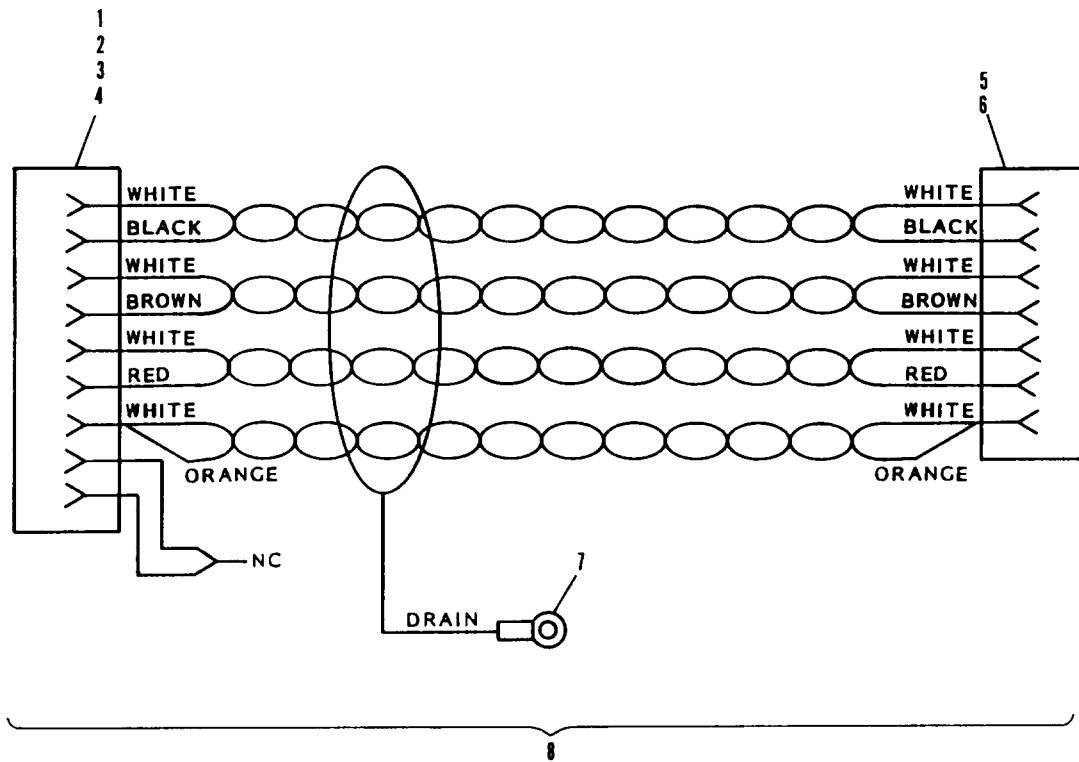
*N.A. = No Longer Available*



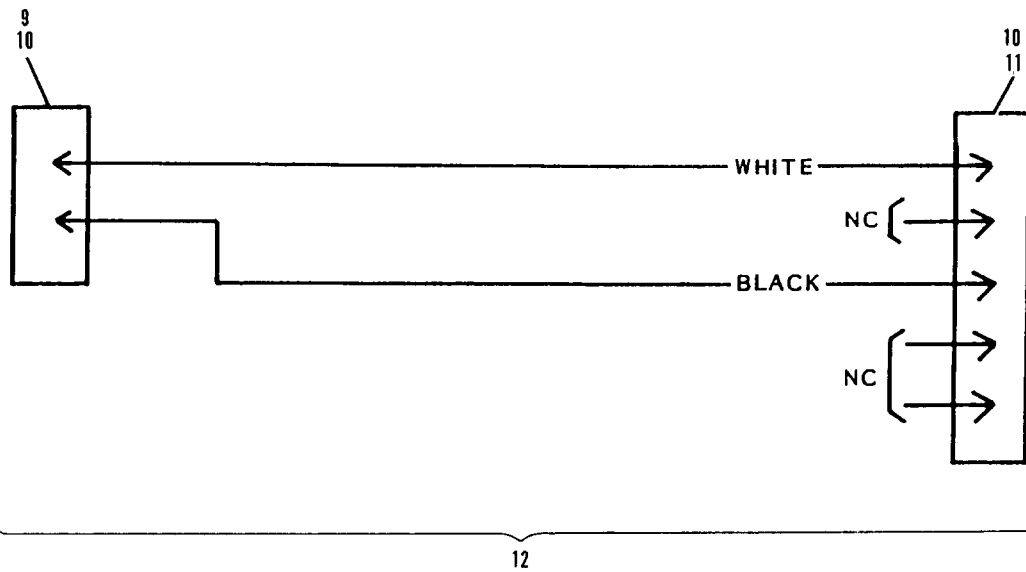
### Player Control Station - Silver Box and Universal Voltage Silver Box

<b>Index No.</b>	<b>Part No.</b>	<b>Description</b>
1.	11-680985-000	Connector
2.	11-680996-000	Metal Shield Cover
3.	11-680981-000	Pin
4.	11-680988-000	Screw Retainer Kit
5.	11-680326-000	Terminal
6.	11-697611-000	Connector
7.	11-612006-000	Connector
8.	68-100050-000	Player Control Station Cable Assembly
9.	11-680116-000	Connector
10.	11-680302-000	Terminal
11.	11-680117-000	Connector
12.	68-100061-000	Ball Lift Control Cable Assembly

**Player Control Station and Ball Lift  
Control Cable Assemblies - Silver Box and Universal Voltage Silver Box**



PLAYER CONTROL STATION CABLE ASSEMBLY

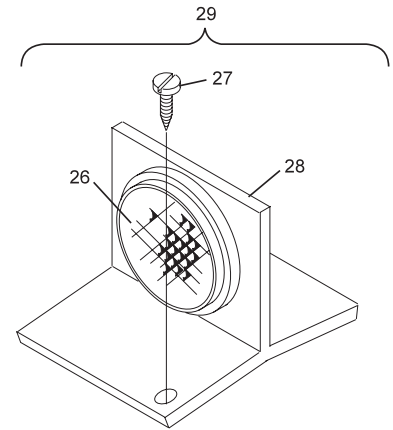
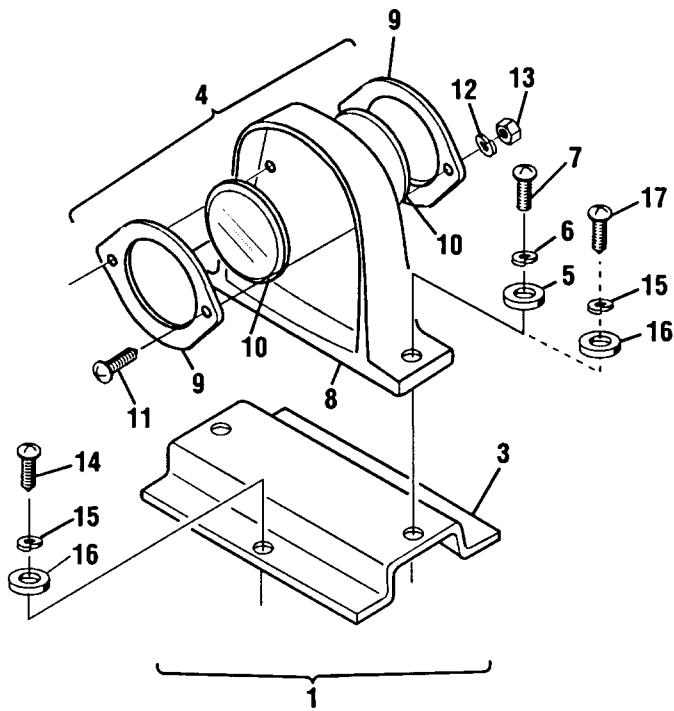


BALL LIFT CONTROL CABLE ASSEMBLY

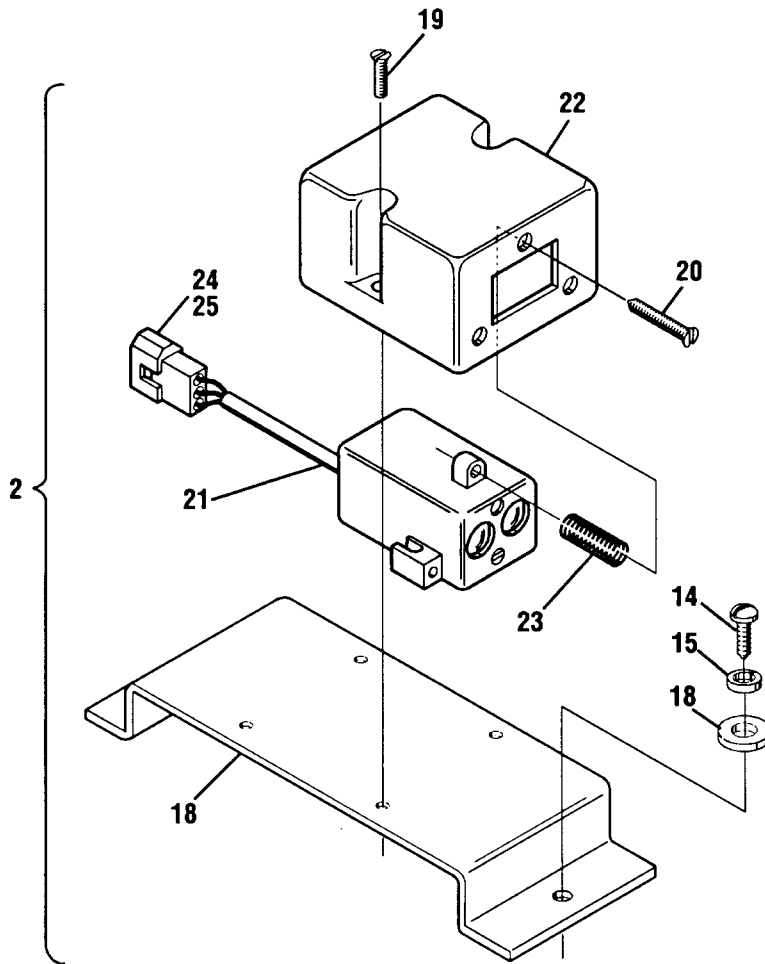
**Player Control Station and Ball Lift  
Control Cable Assemblies - Silver Box and Universal Voltage Silver Box**

<b>Index No.</b>	<b>Part No.</b>	<b>Description</b>
1.	57-214920-000	Reflector and Bracket Assembly
2.	57-214921-000	Ball Detector Assembly
3.	57-214901-000	Bracket
4.	17-600771-000	Housing Assembly
5.	11-190004-001	Flat Washer (#8)
6.	11-195008-001	Lockwasher (#8)
7.	11-012308-001	Pan Hd. Machine Screw (#8-32 x 3/8")
8.	17-600770-000	Housing Only
9.	17-600773-000	Plate
10.	53-600101-000	Reflector
11.	11-013007-001	Slted. Pan Hd. Machine Screw (#4-40 x 9/16")
12.	11-195004-001	Lockwasher (#4)
13.	11-125000-001	Hex Nut (#4)
14.	11-053203-001	Self Tapping Screw (#10 x 1/2", right-hand)
15.	11-195010-001	Lockwasher (#10)
16.	11-190006-001	Flat Washer (#10)
17.	N.A.	Wood Screw (#10 x 3/4")
18.	57-214900-000	Bracket
19.	11-013060-001	Pan Hd. Machine Screw (#8-32 x 1/2")
20.	11-086307-001	Slted. Flat Hd. Machine Screw (#4 x 1")
21.	57-214904-000	Cable Assembly
22.	99-080186-003	Housing
23.	99-080180-004	Spring
24.	11-680101-000	Connector
25.	11-680302-000	Terminal
26.	47-223102-004	Reflector
27.	11-053203-001	Slotted Pan Hd. Self Tapping Screw (4.2mm x 16mm)
28.	99-200212-004	Reflector Bracket
29.	99-200222-004	Reflector and Bracket Assembly

## **Reflector and Ball Detector Assemblies - Silver Box and Universal Voltage Silver Box**



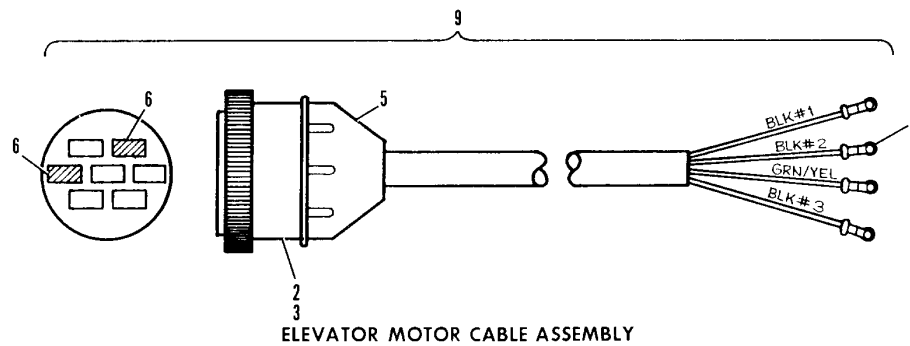
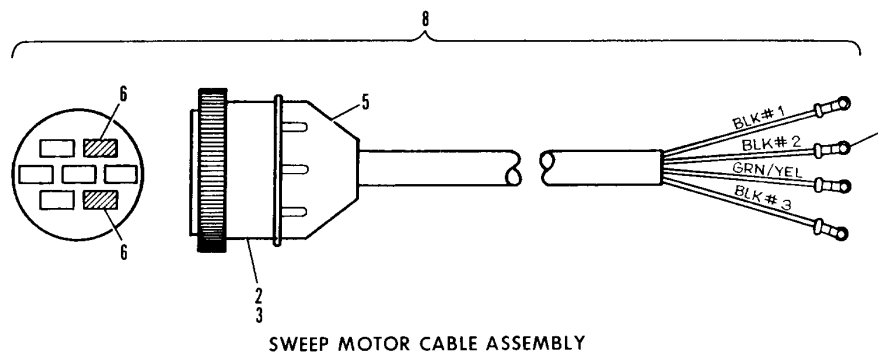
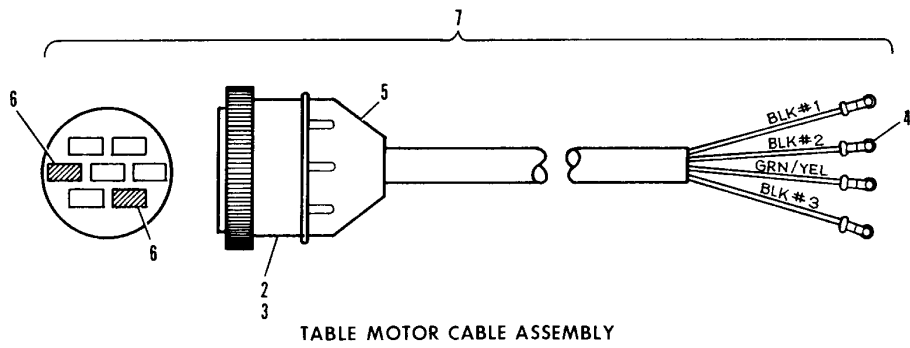
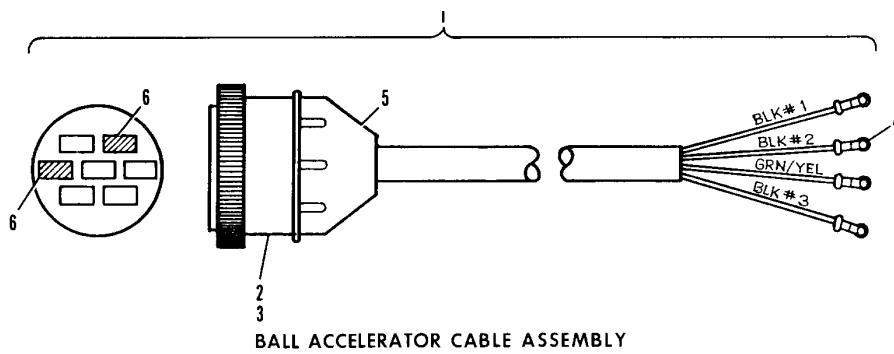
FOR UNITS SO EQUIPPED



## Reflector and Ball Detector Assemblies - Silver Box and Universal Voltage Silver Box

<b>Index No.</b>	<b>Part No.</b>	<b>Description</b>
1.	68-100192-000	Ball Accelerator Motor Cable Assembly
2.	11-615079-000	Connector
3.	11-612577-000	Terminal
4.	11-612012-000	Terminal
5.	11-615127-000	Cable Clamp
6.	11-614452-000	Keying Plug
7.	68-100379-000	Table Motor Cable Assembly
8.	68-100380-000	Sweep Motor Cable Assembly
9.	68-100381-000	Elevator Motor Cable Assembly

**Ball Accelerator, Table, Sweep and Elevator Motor  
Cable Assemblies - Universal Voltage Silver Box**



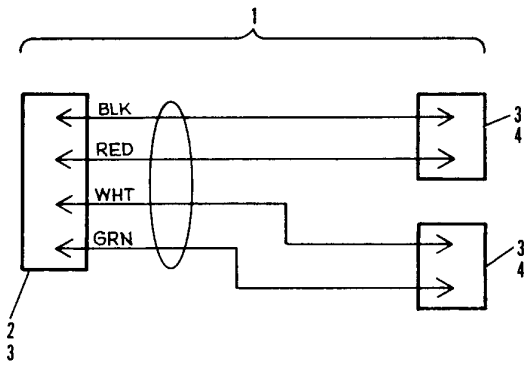
**Ball Accelerator, Table, Sweep and Elevator Motor  
Cable Assemblies - Universal Voltage Silver Box**

<b>Index No.</b>	<b>Part No.</b>	<b>Description</b>
1.	N.A.	Ball Rack Reset Cable Assembly (left-hand machine)
2.	11-680105-000	Connector
3.	11-680302-000	Terminal
4.	11-680116-000	Connector
5.	68-100199-000	Ball Rack Reset Cable Assembly (right-hand machine)
6.	11-680301-000	Terminal
7.	*N.A.	High Voltage Box to Common Box (left-hand machine)
8.	11-680101-000	Connector
9.	68-100383-000	High Voltage Box to Common Box (right-hand and left-hand machine)
10.	68-100387-000	Power Adapter Cable Assembly
11.	11-615081-000	Connector
12.	11-612576-000	Terminal
13.	11-615127-000	Cable Clamp
14.	11-680028-000	Connector
15.	11-680027-000	Connector (4 pole)

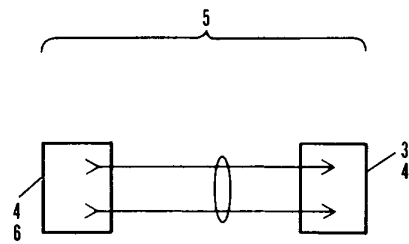
*N.A.= No Longer Available*

*\* Not Illustrated*

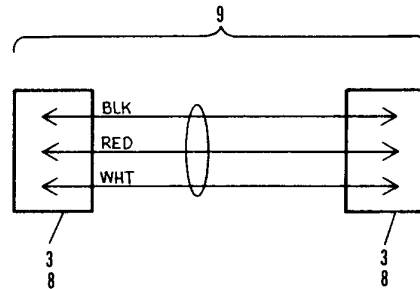
**Ball Rack Reset, High Voltage to Common Box  
and Power Adapter Cable Assemblies - Universal Voltage Silver Box**



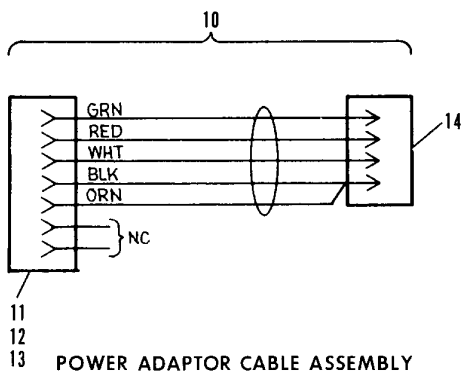
BALL RACK RESET CABLE ASSEMBLY  
LEFT MACHINE



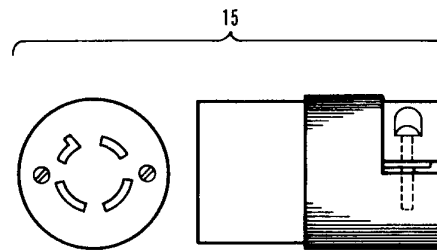
BALL RACK RESET CABLE ASSEMBLY  
RIGHT MACHINE



HIGH VOLTAGE TO COMMON BOX CABLE ASSEMBLY  
RIGHT-HAND AND LEFT-HAND MACHINES



POWER ADAPTOR CABLE ASSEMBLY



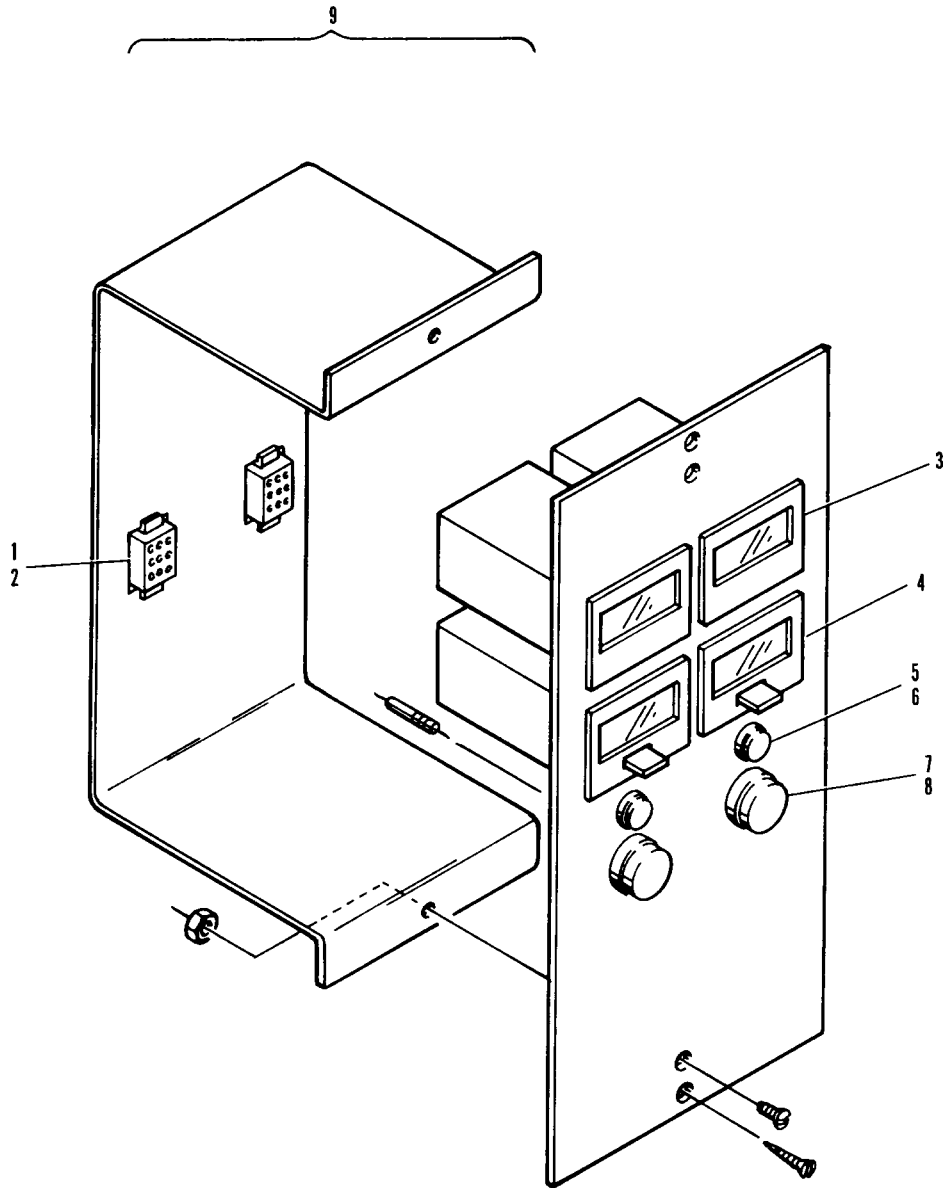
TWISTLOCK CONNECTOR BODY

**Ball Rack Reset, High Voltage to Common Box  
and Power Adaptor Cable Assemblies - Universal Voltage Silver Box**

<b>Index No.</b>	<b>Part No.</b>	<b>Description</b>
1.	11-680106-000	Connector
2.	11-680302-000	Terminal
3.	47-223093-000	Counter (non-resettable)
4.	47-223094-000	Counter (resettable)
5.	47-223095-000	Failure Lamp Bulb
6.	47-223096-000	Failure Lamp Bulb
7.	47-223097-000	Push Button Assembly with Lamp
8.	47-223098-000	On-Off Lamp
9.	N.A	Manager's Control Assembly Complete

*N.A. = No Longer Available.*

**Manager's Control Box -  
Silver Box Electrical and Universal Voltage Silver Box**

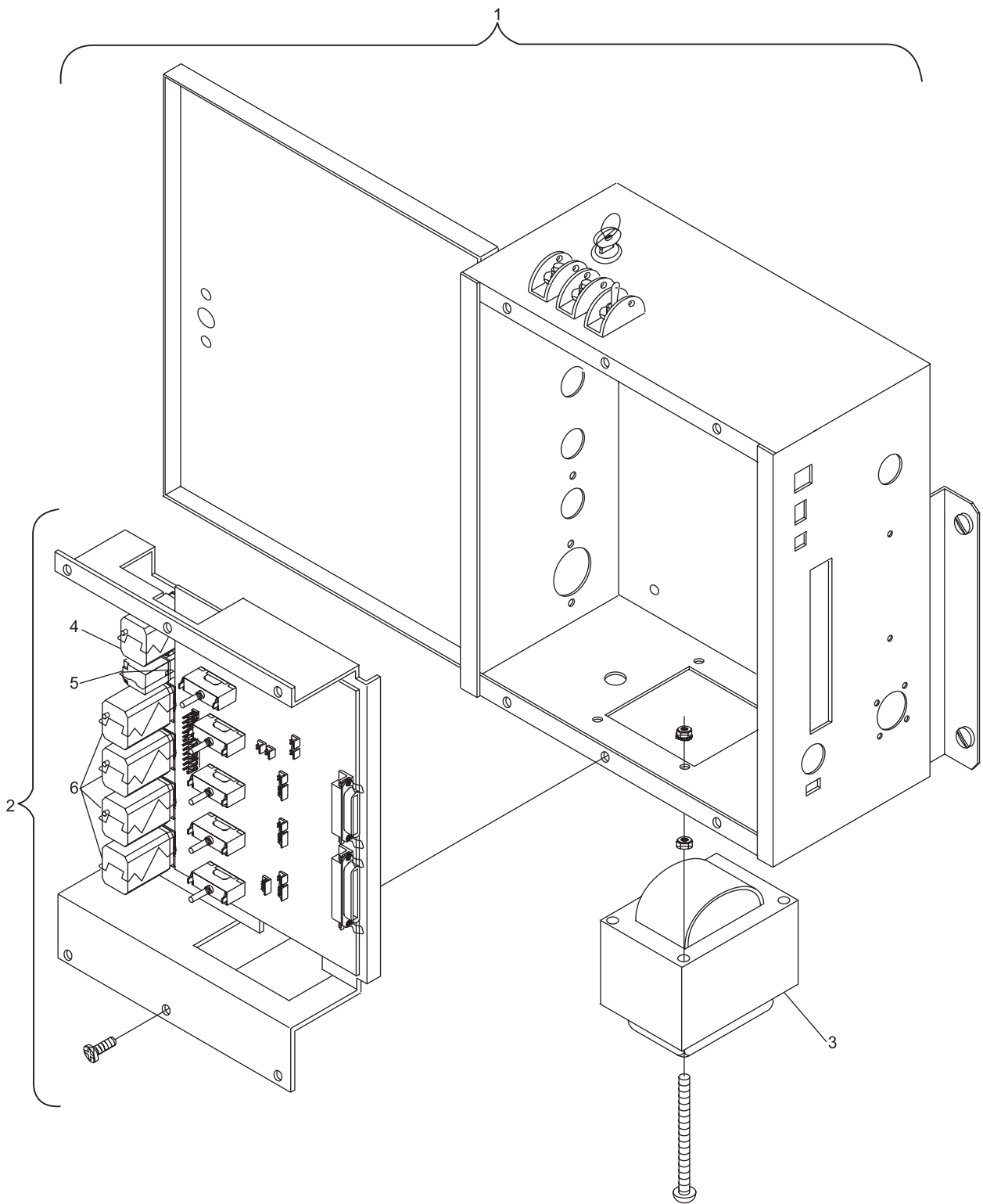


**Manager's Control Box -  
Silver Box Electrical and Universal Voltage Silver Box**

<b>Index No.</b>	<b>Part No.</b>	<b>Description</b>
1.	N.A.	Side Function Solenoid & Switches Cable Assembly (left-hand) - Universal High Voltage Box Assembly
2.	N.A.	Chassis Assembly
3.	47-162856-000	Transformer Assembly
4.	N.A.	Relay Only
5.	N.A.	Relay Only
6.	N.A.	Relay Only

*N.A. = No Longer Available*

## **High Voltage Box - Silver Box**



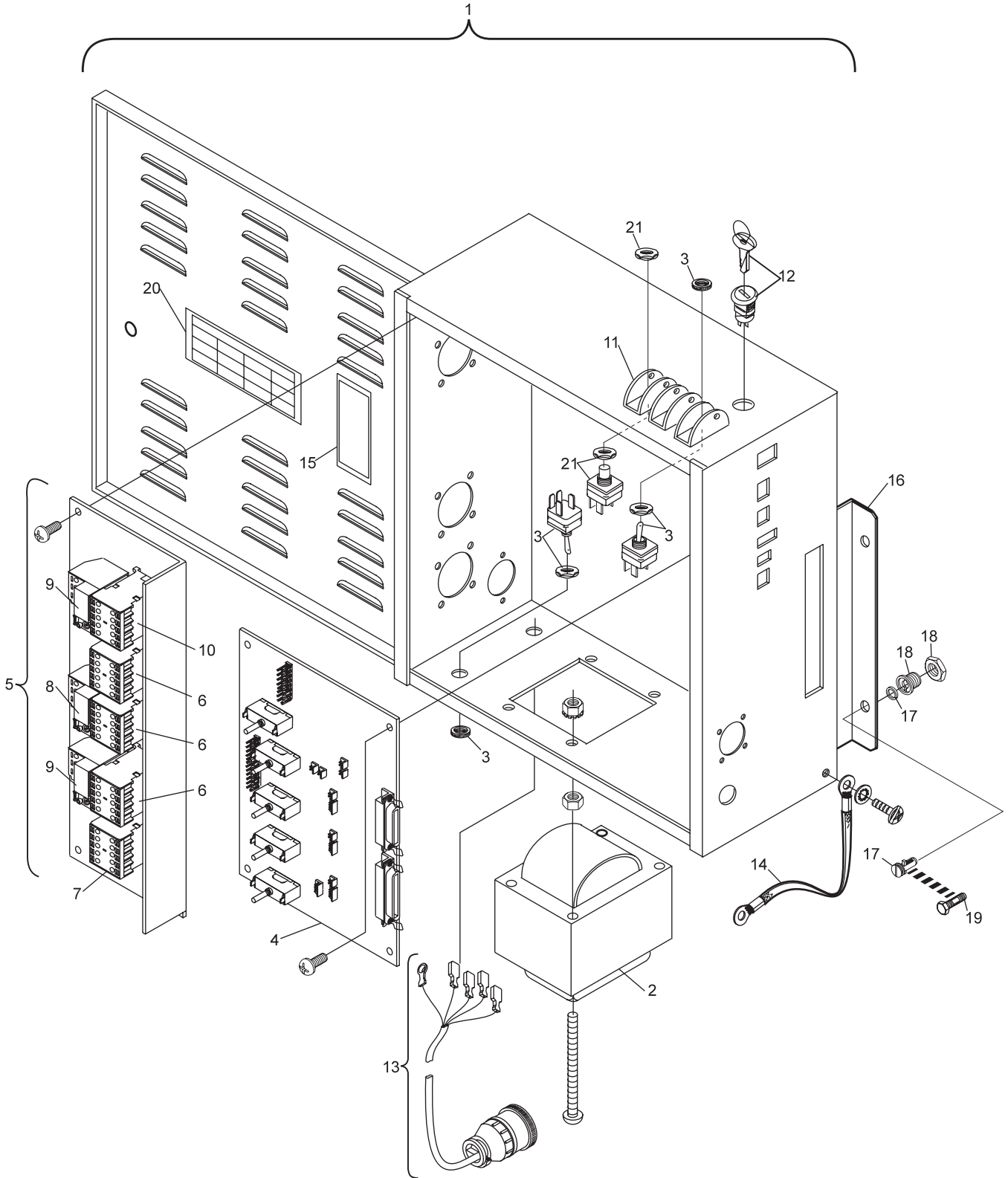
### High Voltage Box - Silver Box

<b>Index No.</b>	<b>Part No.</b>	<b>Description</b>
1.	47-862712-000	High Voltage Box Assembly
2.	47-162939-000	Transformer Assembly
3.	11-615515-000	Toggle Switch
4.	47-862502-000	PCB Assembly
5.	47-162942-000	Power Panel Assembly
6.	11-671512-000	Contactator
7.	11-671511-000	Contactator
8.	11-671531-000	Relay
9.	11-671532-000	Relay
10.	11-671521-000	Contactator
11.	12-502527-000	Switch Guard
12.	47-162821-000	Keyswitch Assembly
13.	47-162937-000	Power Cord Assembly
14.	68-100273-000	Ground Cable Assembly
15.	N.A.	Label "Copyright"
16.	47-162514-000	Mounting Bracket
17.	11-601800-000	Quick Lock Stud with Locking Ring
18.	11-601850-000	Quick Lock Receptacle w/Locknut
19.	*N.A.	Hex Head Flange Bolt with Nylon Patch
20.	47-162600-000	Label "Overload Breaker Adjustment"
21.	11-615013-000	Momentary Switch

*N.A. = No Longer Available*

*\* Replaces index nos. #18 and #17.*

## **High Voltage Box - Universal Voltage Silver Box**



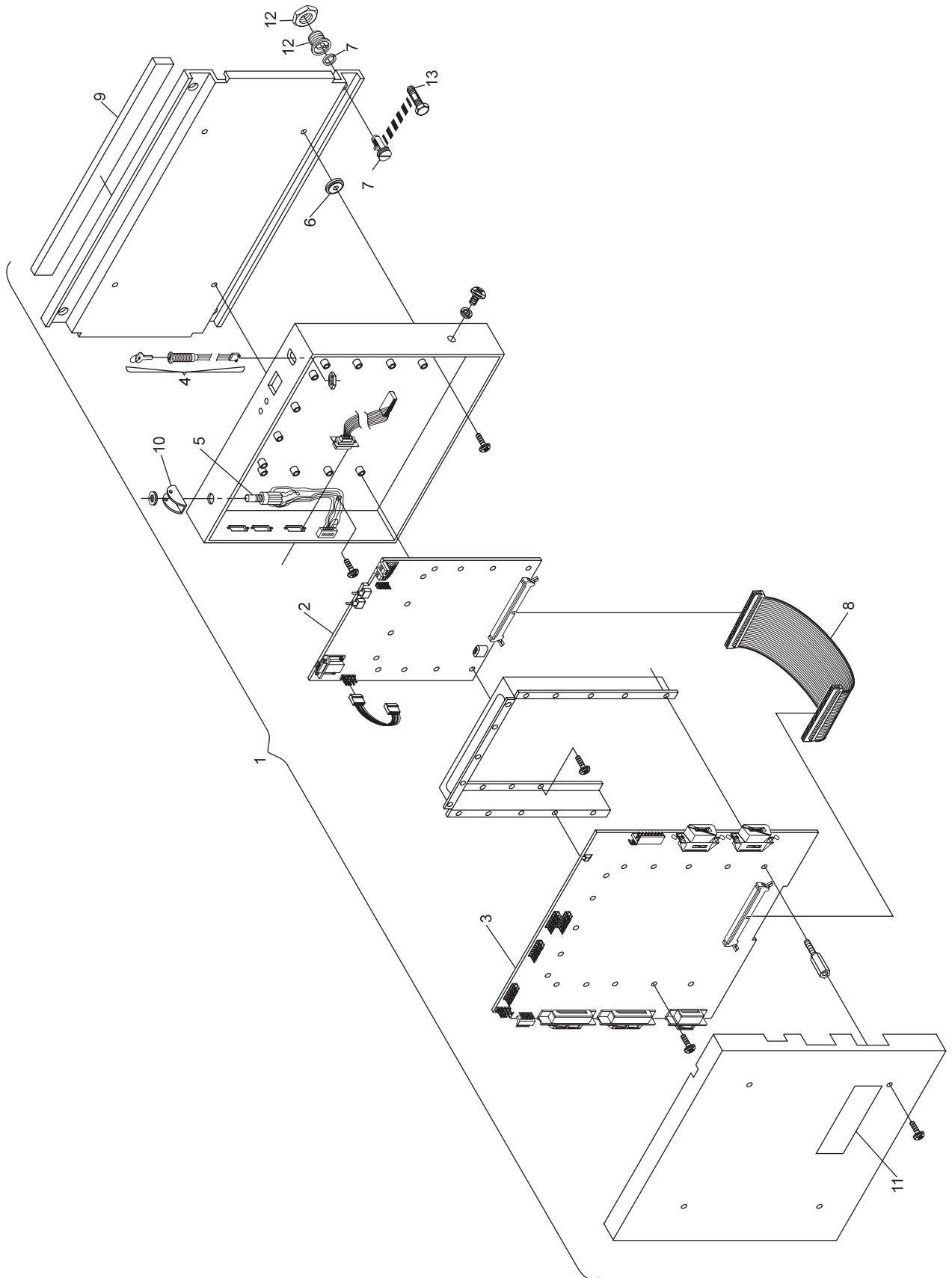
**High Voltage Box - Universal Voltage Silver Box**

<b>Index No.</b>	<b>Part No.</b>	<b>Description</b>
1.	47-862711-401	Gamesetter Box Assembly with Smart Shark - Universal Voltage Silver Box (Brunswick Rapid Exchange)
	47-862708-402	Gamesetter Box Assembly - Silver Box- with 2.02 Software
2.	*N.A.	Smart Shark CPU PCB Assembly (Brunswick Rapid Exchange)
	47-862782-402	Silver Box CPU PCB Assembly (Brunswick Rapid Exchange)
3.	47-862801-000	I/O PCB Assembly - Universal Voltage Silver Box
	47-862785-000	I/O PCB Assembly - Silver Box
4.	47-142833-000	Keyswitch Assembly
5.	47-142830-000	Switch Assembly
6.	11-652052-000	Rubber Washer
7.	11-601800-000	Quick Lock Stud with Locking Ring
8.	47-142832-000	Ribbon Cable Assembly
9.	11-679604-000	Vibration Insulator
10.	12-502527-000	Switch Guard
11.	N.A.	Label "Software Revision"
12.	11-601850-000	Quick Lock Receptacle with Locknut
13.	**N.A.	Hex Head Flange Bolt with nylon Patch

*N.A. = No Longer Available*

*\* Remove EPROM and Replace with Existing Software If Not Smart Shark.*

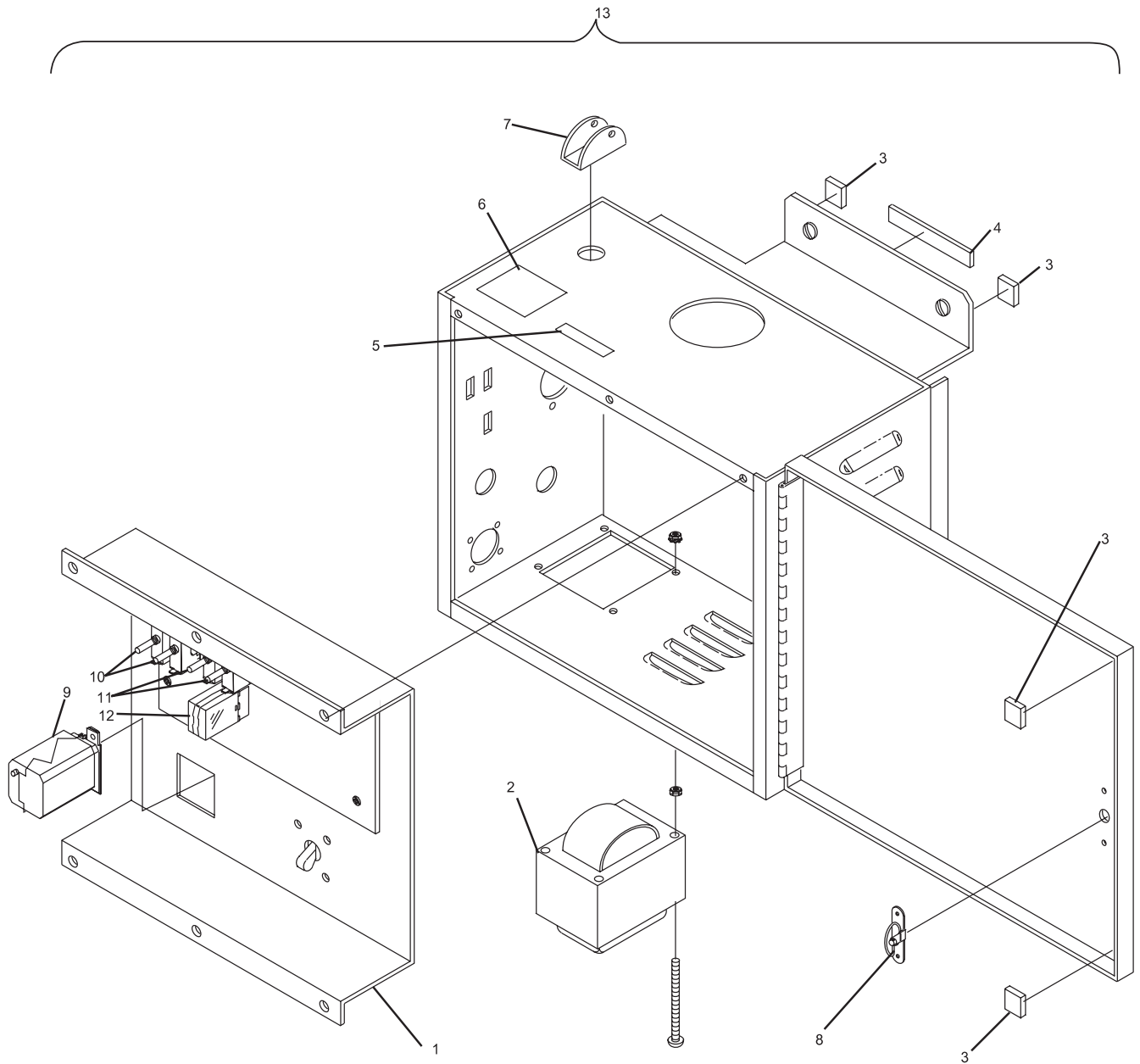
*\*\* Replaces index nos. 7 and 12.*



**Gamesetter Box - Silver Box and Universal Voltage Silver Box**

<b>Index No.</b>	<b>Part No.</b>	<b>Description</b>
1.	N.A.	Chassis Assembly
2.	47-172844-000	Transformer Assembly
3.	N.A.	Vibration Insulator
4.	11-679603-000	Vibration Insulator
5.	10-900901-000	Label "Patent Pending"
6.	47-172523-000	Label "Serial Number"
7.	12-502527-000	Switch Guard
8.	57-214276-007	Fastener
9.	11-696609-000	Relay
10.	11-696630-000	Circuit Breaker
11.	11-696628-000	Circuit Breaker
12.	11-696610-000	Relay
13.	47-862707-000	Common Box Assembly (Brunswick Rapid Exchange)

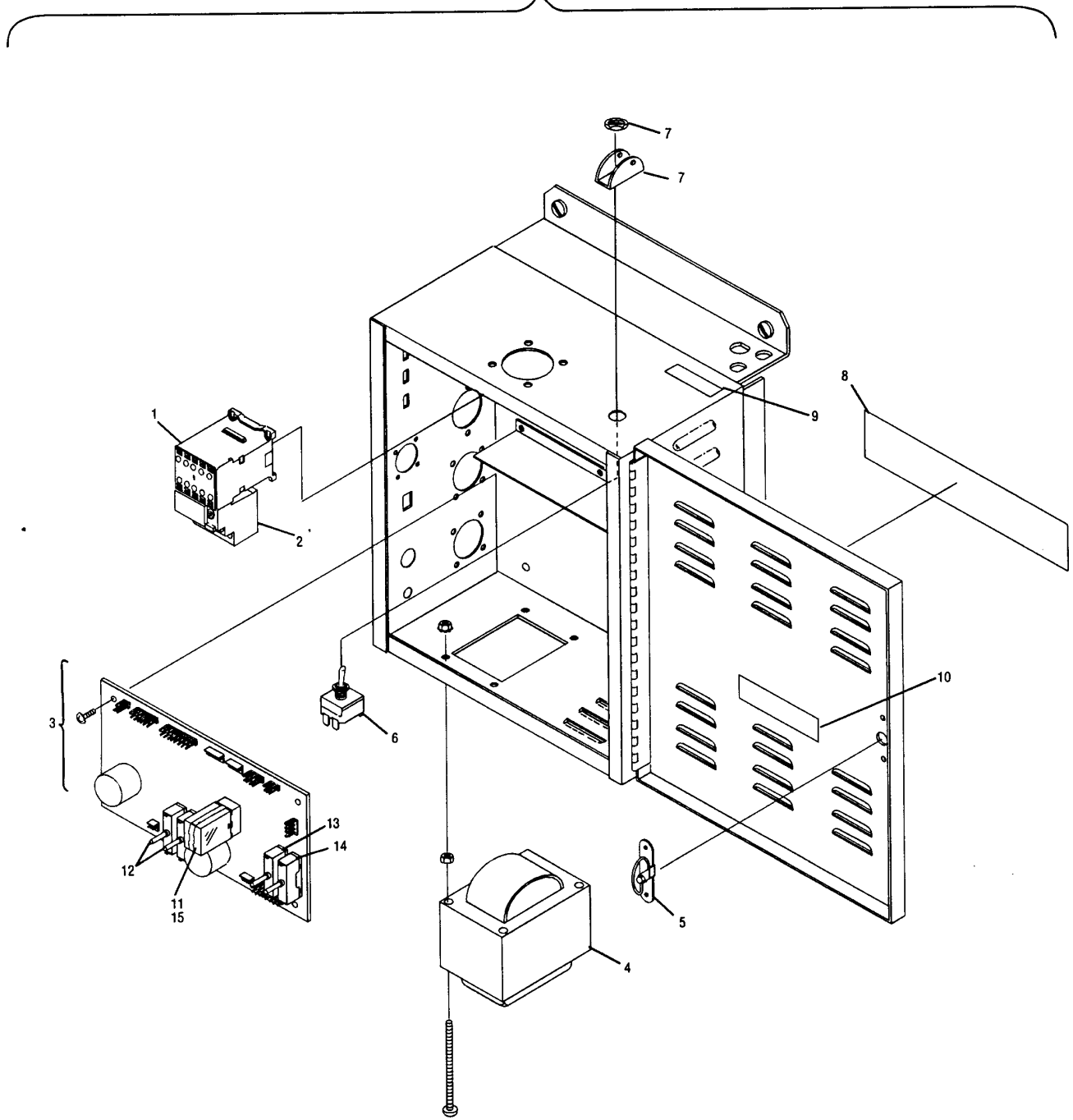
*N.A.= No Longer Available*



**Common Box - Silver Box**

<b>Index No.</b>	<b>Part No.</b>	<b>Description</b>
1.	11-671512-000	Contactator
2.	11-671532-000	Relay
3.	47-862783-000	PCB Assembly
4.	47-172912-000	Transformer Assembly
5.	57-214276-007	Spring Latch
6.	11-615510-000	Toggle Switch
7.	12-502527-000	Switch Guard
8.	N.A.	Label "Model GS-10"
9.	N.A.	Label "U.L."
10.	N.A.	Label "Overload Breaker Adjustment"
11.	11-696610-000	Relay
12.	11-696628-000	Circuit Breaker
13.	11-696630-000	Circuit Breaker
14.	11-696626-000	Circuit Breaker
15.	11-696678-000	Relay Mounting Clip
16.	47-862745-000	Common Box Assembly (Brunswick Rapid Exchange)

*N.A. = No Longer Available*



**Common Box - Universal Voltage Silver Box**